



Wireless foot switch

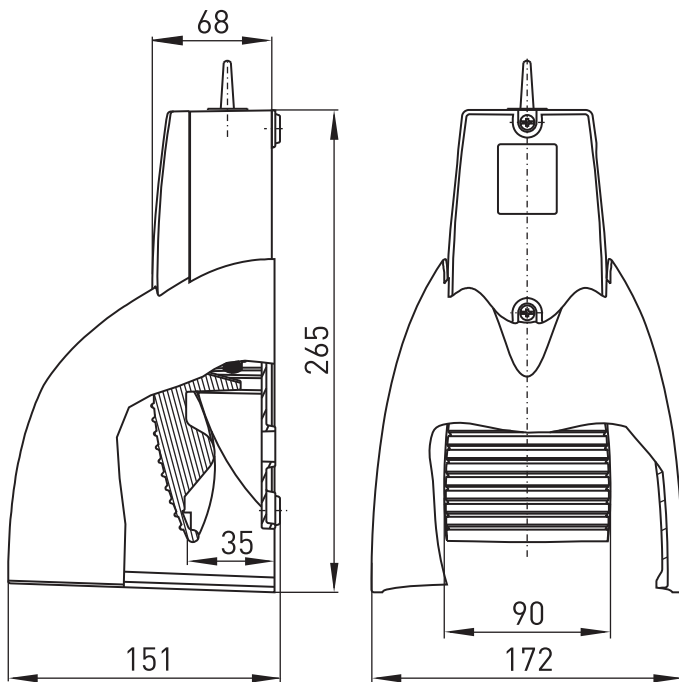
RF GFSI SW915

Material number: 1225705 (Material number old: 53291004)

Features/Options:

- Metal enclosure
- sWave® wireless technology
- No power supply, no wiring and pipe laying required
- Easy programming of receiver
- Output signal can be individually configured at the receiver

Dimensions



Technical data

Standards	EN 60947-5-1; EN 61000-6-2, -6-3, EN 61000-4-2, -4-20; EN 301 489-1; EN 301 489-3; EN 300 220-1; EN 300 220-2
Enclosure	aluminium die-cast, powder-coated
Pedal	aluminium die-cast, powder-coated
Protective shield	aluminium die-cast, powder-coated
Degree of protection	IP 67 to IEC/EN 60529
Protocol	sWave®
Ambient temperature	-20 °C ... +65 °C
Operation cycles	approx. 12000 telegrams at repetitions/h
Voltage supply	Electrodynamic energy generator
Frequency	915 MHz (USA, Canada and Mexico)
Transmission power	< 10 mW
Data rate	66 kbps
Channel bandwidth	550 kHz
Wireless range	max. 450 m outside, max. 40 m inside
Mechanical life	> 1 million operations
Actuating time	min. 80 ms
Actuating force	29 N
Note	no status signal available
Approvals	USA: FCC - XK5-RF95SW915LR; Canada: IC - 5158A-RF95SW915LR Mexico: IFT - RCPSTRF17-1884



Wireless foot switch

RF GFSI SW915

Material number: 1225705 (Material number old: 53291004)