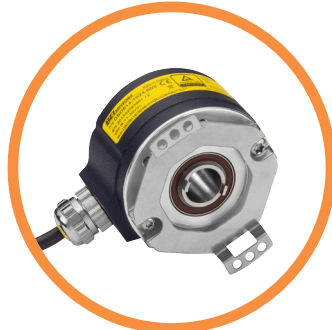


DSM5H & DSO5H MODELS

SIL3 PLe INCREMENTAL ENCODERS



DSM5H



DSO5H



Features

- Usable up to SIL3 and Cat.4 / PLe according to IEC 61508 / EN ISO 13849
- Suitable for safe motor feedback according to IEC 61800-5-2
- Robustness and excellent resistance to shock and vibration
- High protection level: IP65
- High temperature performance –20°C to +85°C
- Power supply 5Vdc or 11/30Vdc
- Digital TTL/RS422 or HTL or sine/cosine 1Vpp output
- Resolutions up to 2500ppr
- 58mm encoder, solid shaft 6mm, 9.52mm or 10mm (DSM5H), and through shaft, standard 14mm (DSO5H)
- Connector or cable output (DSM5, side output only for DSO5)
- Stainless steel version available as an option (DSM5X) - consult factory
- Adapted anti-rotation system (DSO5H)

SPECIFICATIONS

Mechanical

	DSM5H	DSO5H
Material	Cover: powder coated zinc alloy Body: aluminum Shaft: AISI 303 stainless steel	Cover: powder coated zinc alloy Body: aluminum Shaft: AISI 303 stainless steel
Bearings	6000 series - sealed	6803 series - sealed
Maximum Loads	Axial: 40 N	Axial: 20 N
	Radial: 80 N	Radial: 40 N
Shaft Inertia	< 2,800 g.mm ²	< 9,500 g.mm ²
Static/Dynamic torque	5 / 35 mN.m	10 / 85 mN.m
Permissible max. speed	9,000 RPM	
Continuous max. speed	6,000 RPM	4,000 RPM
Theoretical mechanical lifetime L_{10h}^(A)	> 29.7 X 10 ⁹ turns / 82,365 hours	> 24 X 10 ⁹ turns / 100,000 hours
Encoder weight (approx.)	0.30 kg	0.28 kg

^(A) *Continuous max. speed – ½ max. load – according to ISO 281: 1990, L₁₀*

Temperature Conditions

Operating temperature	- 20 ... + 85 °C (encoder T°)
Storage temperature	- 20 ... + 85 °C

Electrical Characteristics / Functional Safety Parameters ^(B)

Electronic Version	Output signals	Operating Voltage +V	Supply current	Current per channel pair	Short circuits proof	Reverse polarity protected	PFD	PFH	MTTFd	DC
2G2	Digital TTL RS422	5V +/-5%	100mA with no load	40mA	Yes	Yes	7.51E-05	8.58E-10	1331	HIGH
5G2		11-30V			Not to +V		9.52E-05	1.09E-09	1050	
5G5	Digital HTL				Yes		9.52E-05	1.09E-09	1050	
2WT	Sine Cosine 1Vpp	5V +/-5%	70mA with no load	10mA	Yes		4.29E-05	4.90E-10	2328	
5WT		11-30V			Not to +V		6.60E-05	7.53E-10	1515	

^(B) **Safety mission time:** 20 years

Standards Conformity

Protection(EN 60529)	IP65
Humidity (EN 60068-2-38)	93% @ 65°C
Shock (EN60068-2-27)	≤ 500m.s ⁻² (during 6 ms)
Vibration (EN60068-2-6)	≤ 200m.s ⁻² (10 ... 2 000 Hz)
EMC Immunity Test	EN 61000-6-2,increased levels
EMC Emission Test	EN 61000-6-4,increased levels
Isolation	1000 Veff
Salt Spray (EN 60068-2-11 part 2)	96h
Functional safety	IEC 61508
	IEC 62061
	ISO 13849-1
	IEC 61800-5-2
	IEC 62061
Encoders usable up to SIL3 / PLe with external specific requirements, see safety user manual for details.	
Z and Z/ are not safety signals.	

Electrical Connections

		0V	+V	A or S	B or C	Z	A/ or S/	B/ or C/	Z/	Ground
G6	M23 - 12 pins CW	1	2	3	4	5	6	7	8	Connector body
G8	M23 - 12 pins CCW	10 + 11	2 + 12	8	5	3	1	6	4	Connector body
G3	PVC cable 8 wires 8230/020	WH white	BN brown	GN green	YE yellow	GY grey	PK pink	BU blue	RD red	General shielding
GP	PUR cable 12 wires 8230/050	WH white + WH/GN white /green	BU blue + BN/GN brown / green	GY grey	BN brown	RD red	PK pink	GN green	BK black	General shielding

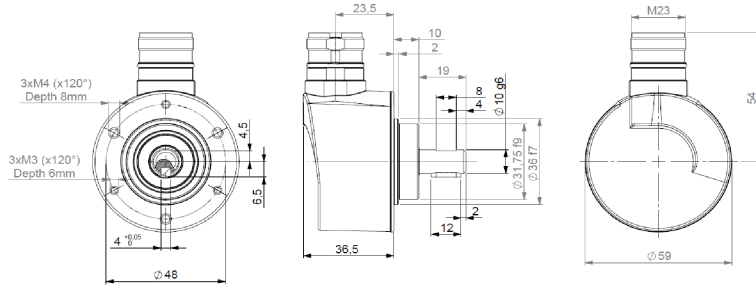
Available Resolutions

250 256 360 500 512 1000 1024 2048 2500



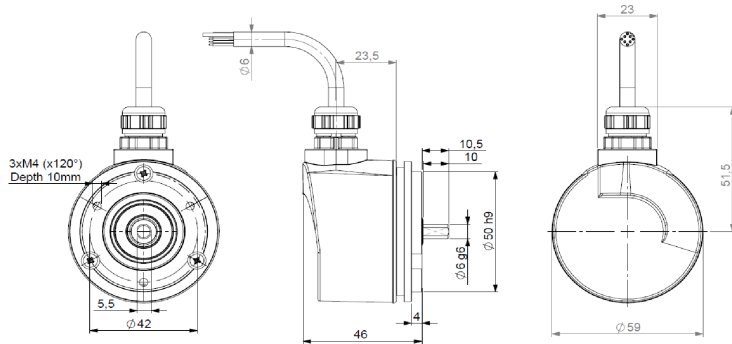
DIMENSIONS

DSM5H10 – radial M23 connector

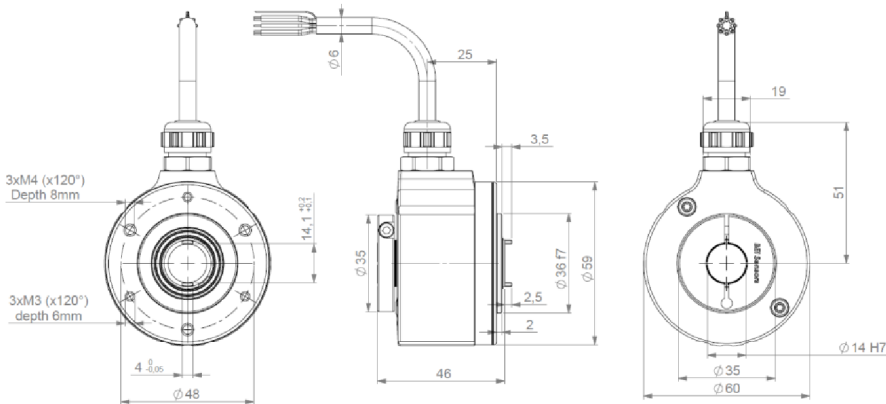


		9445/044	9445/047
Permissible misalignments	Axial	+/- 1mm	+/- 1mm
	Radial	+/- 0.2mm	+/- 0.2mm
	Perpend.	+/- 2°	+/- 5°
	Runout	0.1mm	0.1mm
Angular rigidity		200 N.m/rad	250 N.m/rad

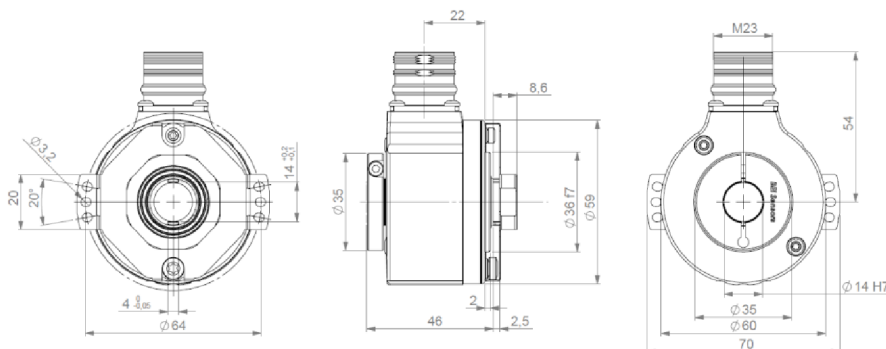
DSM5H06 radial cable - with 9500/003 flange



DS05H – radial cable



DS05H radial M23 - with stator coupling 9445/044





DSM5H ORDERING OPTIONS

Example : DSM5H06 // 5G29 // 01024 // GPR050 / 1J / **03**

Contact the factory for special versions, ex: resolution, connection, flange...

	DSM5H	06	//	5G59	//	01024	//	GPR050	/	1J	/	CS03**
Family	DSM5H											
DSM5H												
Shaft	06: 6mm 10: 10mm 09: 9.52 mm											
Supply + Output stage + Output signals	Digital Signals: 2: 5Vdc G2: TTL RS422 9: AA/ BB/ ZZ/ 5: 11- 30Vdc G2: TTL RS422 G5: HTL 9: AA/ BB/ ZZ/ Analog Sine Cosine signals: 2: 5Vdc WT: TTL RS422 N: SS/ CC/ ZZ/ 5: 11- 30Vdc WT: TTL RS422 N: SS/ CC/ ZZ/											
Resolution	250, 256, 360, 500, 512, 1000, 1024, 2048, 2500											
Connection + Orientation	G6: M23 12 pins CW A: axial R: radial G8: M23 12 pins CCW A: axial R: radial GP: PUR cable 12 wires R: radial cable (example: 050 = 5m) G3: PVC cable 8 wires R: radial cable (example: 050 = 5m)											
Cover	1J: Zinc alloy cover											
Flange	****: No specials CS**: Key for keyway DSMH10 only **03**: 9500/003 Servo Flange											



DSO5H ORDERING OPTIONS

Example : DSO5H14 // 5G29 // 01024 // GPR050 // **DX**

Contact the factory for special versions, ex: resolution, connection, flange...

Family	DSO5H	14	//	5G29	//	01024	//	GPR050	//	**DX**
DSO5H										
Shaft										
14: 14mm										
Supply + Output stage + Output signals										
Digital Signals:										
2: 5Vdc										
G2: driver 5Vdc RS422										
G5: push-pull										
9: AA/ BB/ ZZ/										
5: 11- 30Vdc										
G2: driver 5Vdc RS422										
G5: push-pull										
9: AA/ BB/ ZZ/										
Sine-wave signals:										
2: 5Vdc										
WT: sine 1Vpp										
N: SS/ CC/ ZZ/										
5: 11- 30Vdc										
WT: sine 1Vpp										
N: SS/ CC/ ZZ/										
Resolution										
250, 256, 360, 500, 512, 1000, 1024, 2048, 2500										
Connection + Orientation										
G6: M23 12 pins CW										
R: radial										
G8: M23 12 pins CCW										
R: radial										
GP: PUR cable 12 wires										
R: radial cable (example: 050 = 5m)										
G3: PVC cable 8 wires										
R: radial cable (example: 050 = 5m)										
Anti-rotation										
DX: 9445/044										
****: No antirotation										



AGENCY APPROVALS & CERTIFICATIONS



BEI Sensors SAS

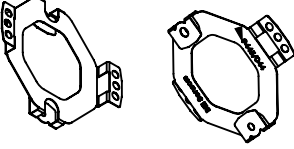
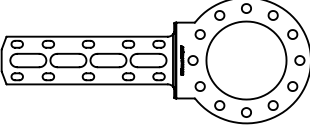
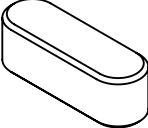
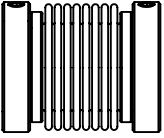
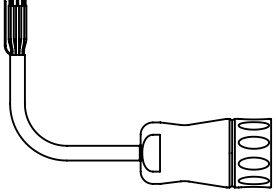
Espace Européen de l'Entreprise
9, rue de Copenhague
B.P. 70044 Schiltigheim
F 67013 Strasbourg Cedex

Tél : +33 (0)3 88 20 80 80
Fax : +33 (0)3 88 20 87 87
Mail : info@beisensors.com
Web : www.beisensors.com

GENERAL NOTES

For a safe installation according to the required safety level needed in the application, refer to the user safety manual - during the installation on the equipment, a quick installation guide is provided with each encoder.

ACCESORIES

<p>Safety Rated Flexmount (hardware included)</p> 	<p>M9445/044</p>	<p>DS05H</p>
<p>Safety Encoder Tether Arm (hardware included)</p> 	<p>M9445/047</p>	<p>DS05H</p>
<p>Metal shaft key 4mm square by 12mm long</p> 	<p>9435/006</p>	<p>DSM5H</p>
<p>Safety Bellows Couplings For 10mm shaft</p> 	<p>9404/S/10-10</p>	<p>DSM5H</p>
<p>Standard Mating Connector 2m, 5m, 7m, 10m Mating Cable Assembly</p> 	<p>9416/076-8230/020-G6-020 = 2m 9416/076-8230/020-G6-050 = 5m 9416/076-8230/020-G6-070 = 7m 9416/076-8230/020-G6-100 = 10m</p> <p>For use with M23 connector type G6</p>	<p>DS05H DSM5H</p>

Made in France

Page 6

Sensata Technologies, Inc. ("Sensata") data sheets are solely intended to assist designers ("Buyers") who are developing systems that incorporate Sensata products (also referred to herein as "components"). Buyer understands and agrees that Buyer remains responsible for using its independent analysis, evaluation and judgment in designing Buyer's systems and products. Sensata data sheets have been created using standard laboratory conditions and engineering practices. Sensata has not conducted any testing other than that specifically described in the published documentation for a particular data sheet. Sensata may make corrections, enhancements, improvements and other changes to its data sheets or components without notice.

Buyers are authorized to use Sensata data sheets with the Sensata component(s) identified in each particular data sheet. HOWEVER, NO OTHER LICENSE, EXPRESS OR IMPLIED, BY ESTOPPEL OR OTHERWISE TO ANY OTHER SENSATA INTELLECTUAL PROPERTY RIGHT, AND NO LICENSE TO ANY THIRD PARTY TECHNOLOGY OR INTELLECTUAL PROPERTY RIGHT, IS GRANTED HEREIN. SENSATA DATA SHEETS ARE PROVIDED "AS IS". SENSATA MAKES NO WARRANTIES OR REPRESENTATIONS WITH REGARD TO THE DATA SHEETS OR USE OF THE DATA SHEETS, EXPRESS, IMPLIED OR STATUTORY, INCLUDING ACCURACY OR COMPLETENESS. SENSATA DISCLAIMS ANY WARRANTY OF TITLE AND ANY IMPLIED WARRANTIES OF MERCHANTABILITY, FITNESS FOR A PARTICULAR PURPOSE, QUIET ENJOYMENT, QUIET POSSESSION, AND NON-INFRINGEMENT OF ANY THIRD PARTY INTELLECTUAL PROPERTY RIGHTS WITH REGARD TO SENSATA DATA SHEETS OR USE THEREOF.

All products are sold subject to Sensata's terms and conditions of sale supplied at www.sensata.com SENSATA ASSUMES NO LIABILITY FOR APPLICATIONS ASSISTANCE OR THE DESIGN OF BUYERS' PRODUCTS. BUYER ACKNOWLEDGES AND AGREES THAT IT IS SOLELY RESPONSIBLE FOR COMPLIANCE WITH ALL LEGAL, REGULATORY AND SAFETY-RELATED REQUIREMENTS CONCERNING ITS PRODUCTS, AND ANY USE OF SENSATA COMPONENTS IN ITS APPLICATIONS, NOTWITHSTANDING ANY APPLICATIONS-RELATED INFORMATION OR SUPPORT THAT MAY BE PROVIDED BY SENSATA.

Mailing Address: Sensata Technologies, Inc., 529 Pleasant Street, Attleboro, MA 02703, USA.

CONTACT US

Americas

+1 (800) 350 2727
sensors@sensata.com

Europe, Middle East & Africa

+33 (3) 88 20 8080
position-info.eu@sensata.com

Asia Pacific

sales.isasia@list.sensata.com
 China +86 (21) 2306 1500
 Japan +81 (45) 277 7117
 Korea +82 (31) 601 2004
 India +91 (80) 67920890
 Rest of Asia +886 (2) 27602006
 ext 2808