



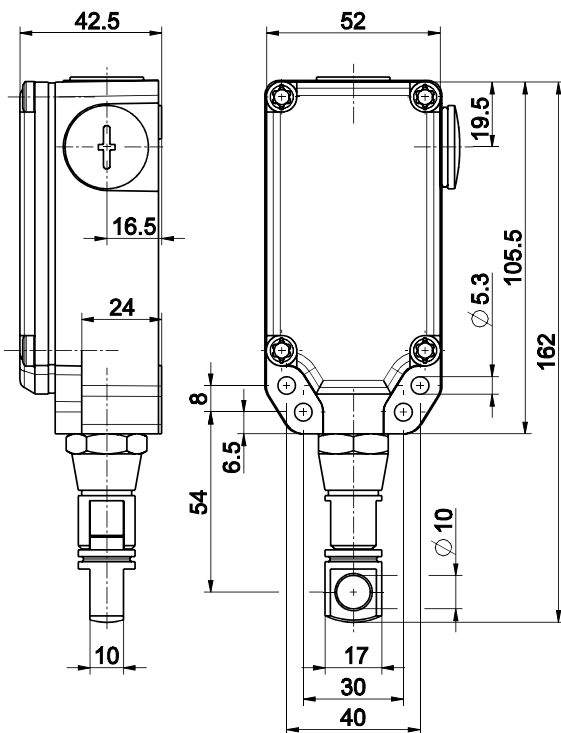
Pull-wire switch ZS 71 Z 1Ö/1S

Material number: 1179743 (Material number old: 71141919)

Features/Options:

- Metal enclosure
- Wall mounting
- Snap action: 2 contacts
- Pull-wire function without latching

Dimensions



Technical data

Standards	EN 60947-5-1
Enclosure	aluminium die-cast, powder-coated
Cover	glass-fibre reinforced, shock-proof thermoplastic (PA 66), self-extinguishing UL 94-V0
Degree of protection	IP 65 to IEC/EN 60529
Contact material	silver
Switching elements	1 NC/1 NO contact, type Zb
Switching system	snap action, positive break NC contacts ⊖
Connection	screw connection terminals
Cable cross-section	max. 2.5 mm ² (incl. conductor ferrules)
Cable entry	2 x M20 x 1.5
U_{imp}	6 kV
U_i	400 V
I_{the}	6 A
Utilisation category	AC-15
I_e/U_e	6 A/400 VAC
Max. fuse rating	6 A gG/gN fuse
Ambient temperature	-25 °C ... +70 °C
Mechanical life	> 1 million operations
Actuating force	max. 100 N
Features	pull-wire function without latching
Approvals	
Weight	380 g

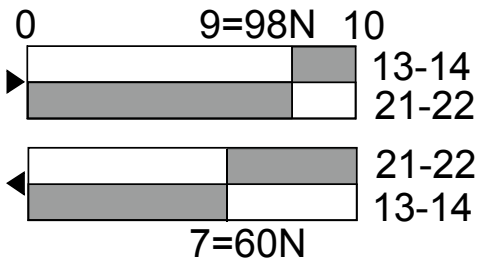


Pull-wire switch

ZS 71 Z 1Ö/1S

Material number: 1179743 (Material number old: 71141919)

Switching diagram



Contact diagram

