

Joists and hinges for hinge switches

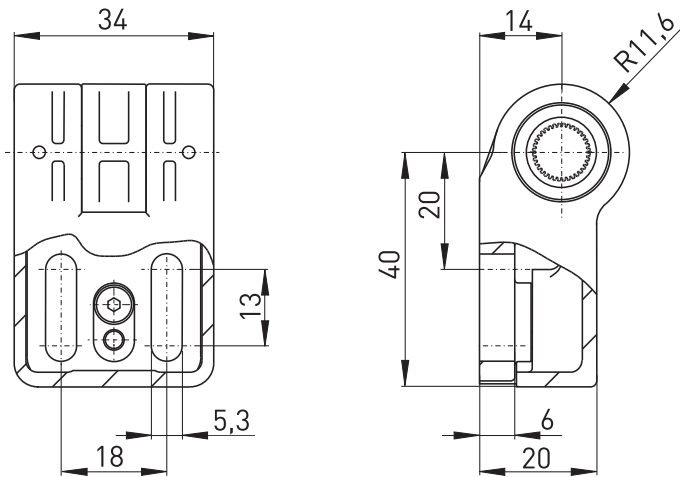
Adjustable hinge L

Material number: 1169836 (Material number old: 01.08.0147)

Features/Options:

- Suitable for ES/Ex 95 SB-10mm, Ex 335 V10S and Ex 355 V10S
- Incl. locating pins, 1 blanking plug and 2 screws M5 x 20 to ISO 7380

Dimensions



Adjustable hinge L

