

Hand switch

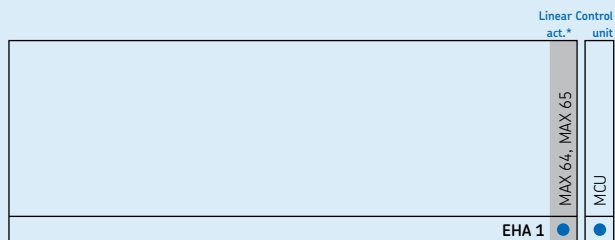
EHA 1

Benefits

- Robust ergonomic design
- Tactile buttons, clearly marked
- Easy mountable fastening hook



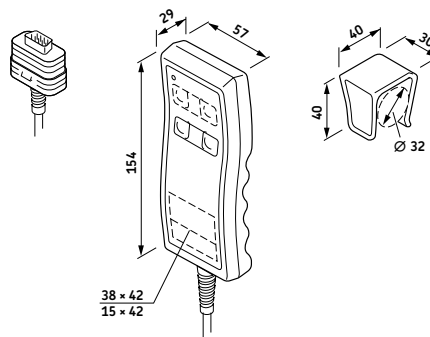
Suitable pillars, actuators and control units



* With integrated control units

Dimensional drawing

D-Sub 9



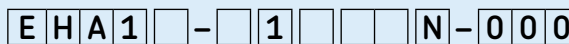
Technical data

	Unit	EHA 1
Max. operating channels	n°	2
Operating power	V DC/mA	12/50
Type of protection	IP	67
Color	–	Grey

Accessories

	Designation	Order N°
Hook with sticker	ZBG-145361-000	M/0125538

Ordering key



Type

Number of channels:

- 1 channel
- 2 channels

1
2

Hook:

- Yes mounted with hook
- Hook supplied separately

1
2

Cable / connecting plug:

- Coiled, 1,3 m/2,5 m / D-sub 9-pin plug
- Coiled 2,5 m/3,5 m / D-sub 9-pin plug

B
F

Symbols:

- None
- 1 channel: Arrow up/down
Head
- 2 channels: Arrow up/down
Head/foot
Level/head

00
10
11
20
22
23

© SKF is a registered trademark of the SKF Group

© SKF Group 2011

The contents of this publication are the copyright of the publisher and may not be reproduced (even extracts) unless prior written permission is granted. Every care has been taken to ensure the accuracy of the information contained in this publication but no liability can be accepted for any loss or damage whether direct, indirect or consequential arising out of the use of the information contained herein.

Printed in Sweden on environmentally friendly paper.

PUB MT/P8 10433 EN · February 2011

