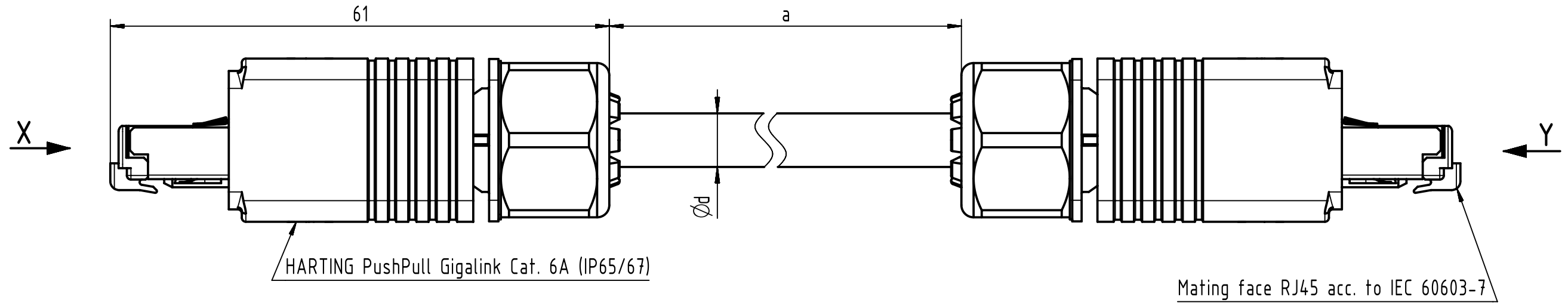


Connector Location A

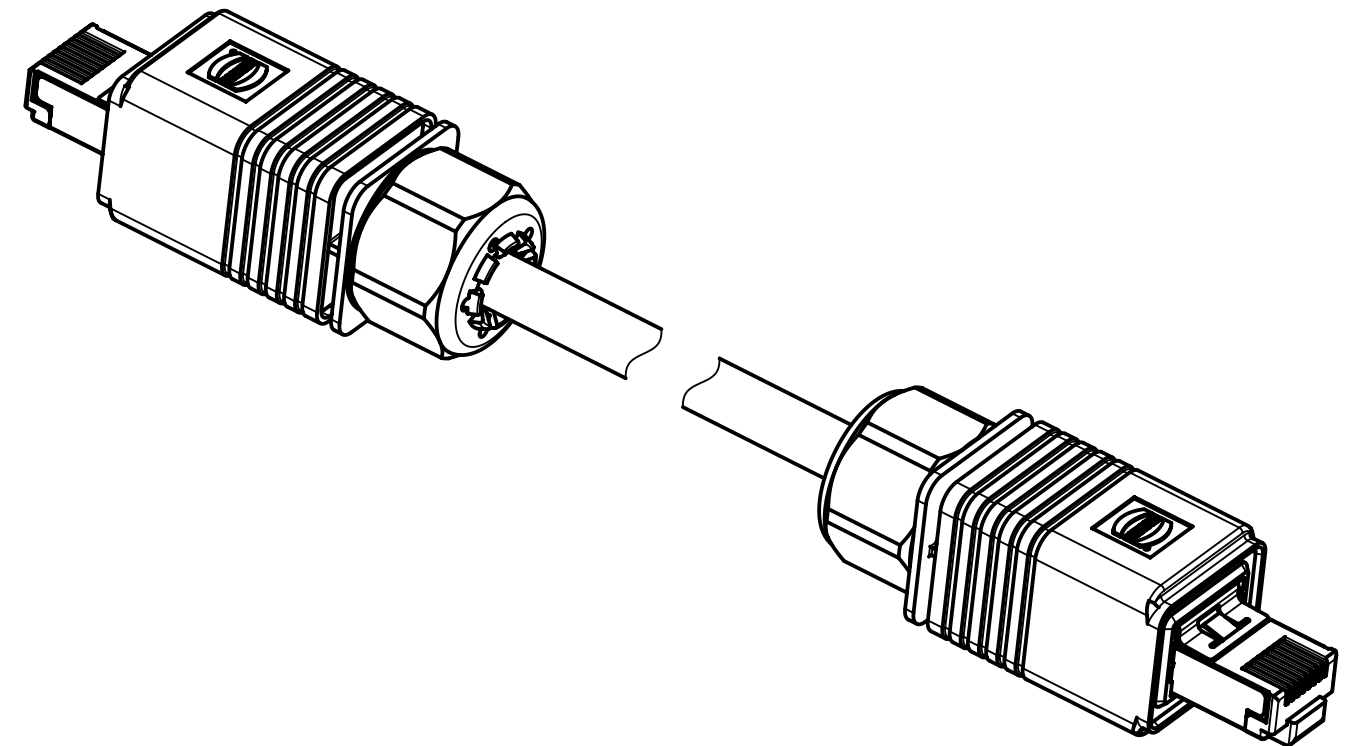
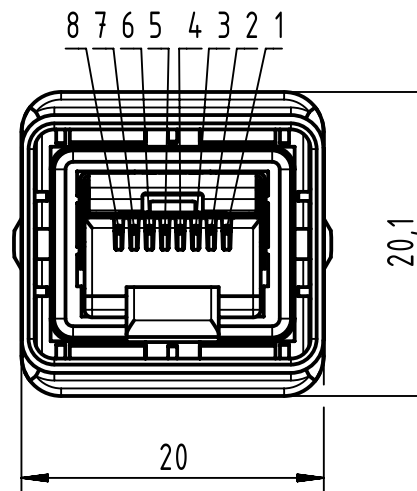
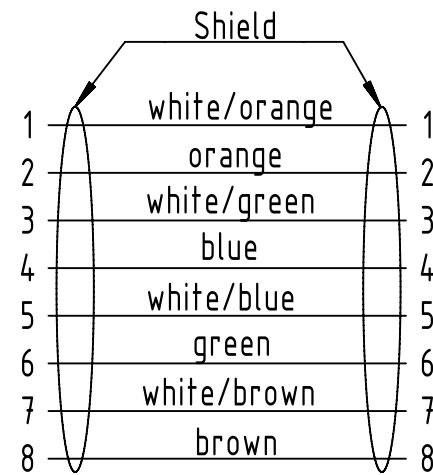
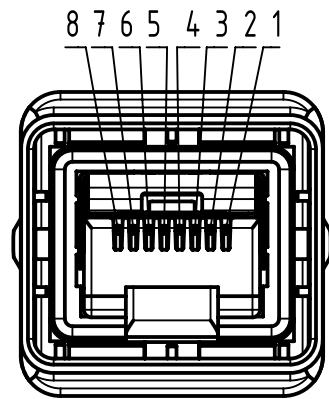
Connector Location B



**X**  
male

Loading-Plan  
acc. to TIA/EIA 568B

**Y**  
male



- Temperature range: -20°C ... +70°C

	All rights reserved		Created by STOCHECIC		Inspected by COSTEA		Standardisation MUNTEANV		Date 2018-04-19		State Final Release		
	Department HCS - RO		Title HARTING PushPull RJ45 Cable Assembly		Type TB		Number 094574XXXXX		Doc-Key / ECM-Nr. 100103494/UGD/022/G 500000133904		Rev. G Page 1/2		
		All Dimensions in mm		Tech. Character.		Free size tol.		According to production drawing					
HARTING Customised Solutions		D-32339 Espelkamp											

Cont. no.	Part no.	Type of cable	Dim. d [mm]	Dim. a[m]
31	09457441537	RJI Ethernet stranded cable AWG 26/7, 4x2x0.5/1.0, Cat. 6A, PUR, yellow	Ø6.7	35
30	09457441535			25
29	09457441534			20
28	09457441533			15
27	09457441532			10
26	09457441531			9
25	09457441530			8
24	09457441529			7
23	09457441528			6
22	09457441527			5
21	09457441526			4
20	09457441525			3
19	09457441524			2
18	09457441523			1.5
17	09457441522			1
16	09457441521	0.5		
15	09457451536	RJI Ethernet stranded cable AWG 26/7, 4x2x0.5/1.0, Cat. 6A, PVC, yellow	Ø6.6	50
14	09457451535			35
13	09457451534			25
12	09457451553			20
11	09457451552			15
10	09457451551			10
9	09457451529			7
8	09457451527			5
7	09457451526			4
6	09457451525			3
5	09457451524	2		
4	09457451523	1.5		
3	09457451533	0.7		
2	09457451521	0.5		
1	09457451532	0.25		

	All rights reserved	Created by STOCHECIC	Inspected by COSTEA	Standardisation MUNTEANV	Date 2018-04-19	State Final Release	
	Department HCS - RO	Title HARTING PushPull RJ45 Cable Assembly				Doc-Key / ECM-Nr. 100103494/UGD/022/G 500000133904	
HARTING Customised Solutions D-32339 Espelkamp		Type TB	Number 094574XXXXX			Rev. G	Page 2/2