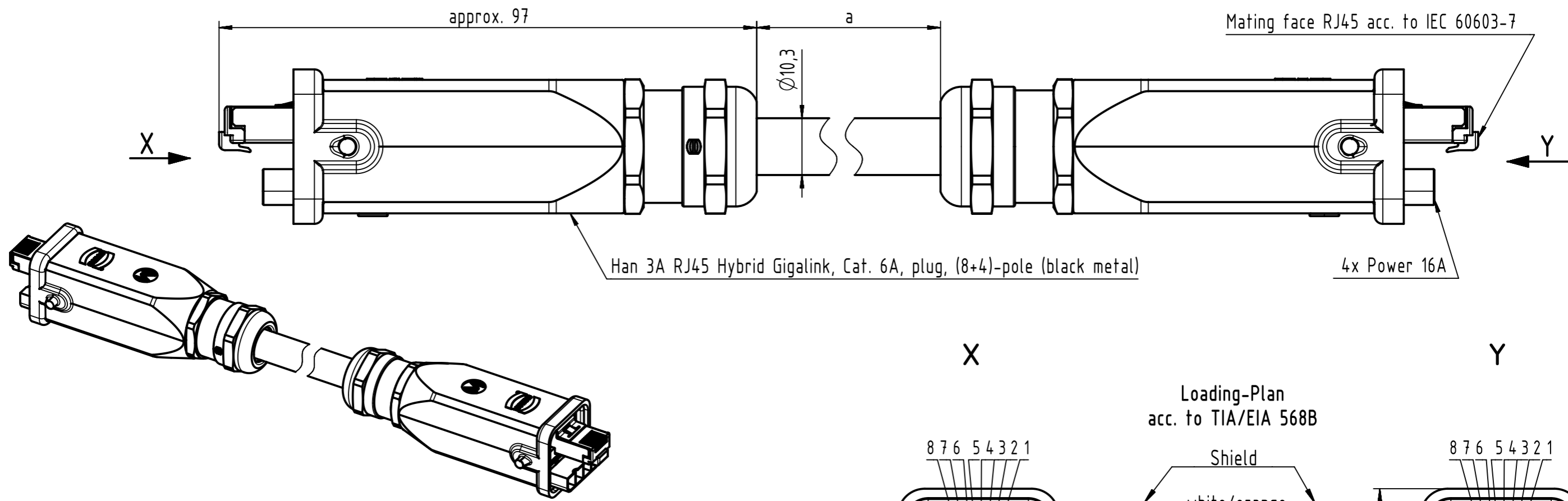


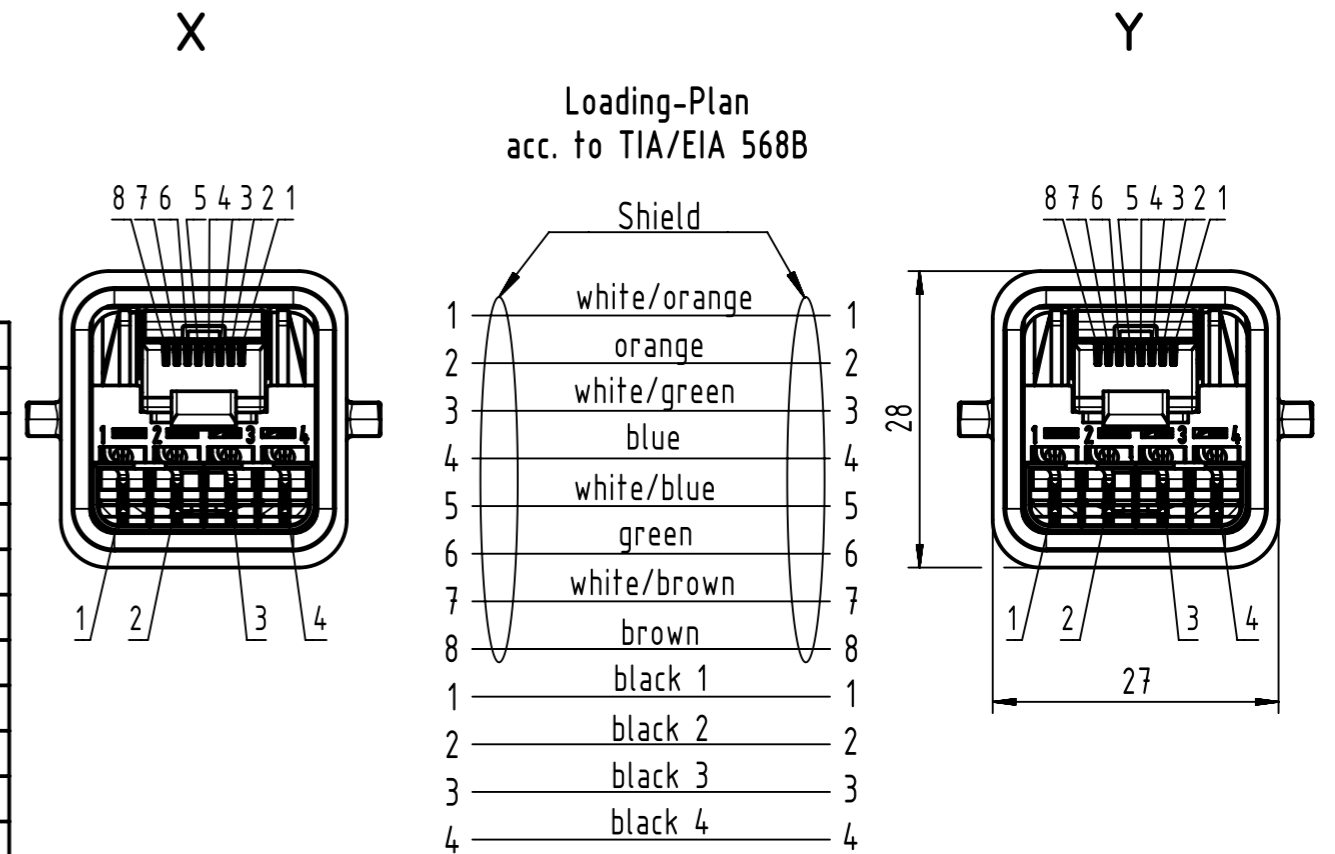
Connector Location A

Connector Location B



Han 3A RJ45 Hybrid Gigalink, Cat. 6A, plug, (8+4)-pole (black metal)

4x Power 16A



Protection level: IP67/65
Temperature range: -20°C ... +80°C

Hybrid cable 4x2xAWG26/7+4x1.5mm²,
PUR, Cat.6, black

22	09457251548		60
21	09457251547		50
20	09457251546		40
19	09457251545		30
18	09457251552		25
17	09457251544		20
16	09457251543		15
15	09457251550		13
14	09457251549		12
13	09457251542		10
12	09457251541		9
11	09457251540		8
10	09457251539		7
9	09457251538		6
8	09457251537		5
7	09457251536		4
6	09457251535		3
5	09457251551		2.5
4	09457251534		2
3	09457251533		1.5
2	09457251532		1
1	09457251531		0.5

Cont. no.	Part no.	Type of cable	Dim. a[m]
-----------	----------	---------------	-----------

	All rights reserved	Created by STOCHECIC Stocheci	Inspected by COSTEA Costea	Standardisation MUNTEANV Muntean	Date 2018-06-20	State Final Release
	Department HCS - RO	Title Han3A RJ45 Hybrid Cable Assembly		Doc-Key / ECM-Nr. 100178367/UGD/003/G 500000136574		
HARTING Customised Solutions D-32339 Espelkamp		Type TB	Number 09457251XXX		Rev. G	Page 1/1