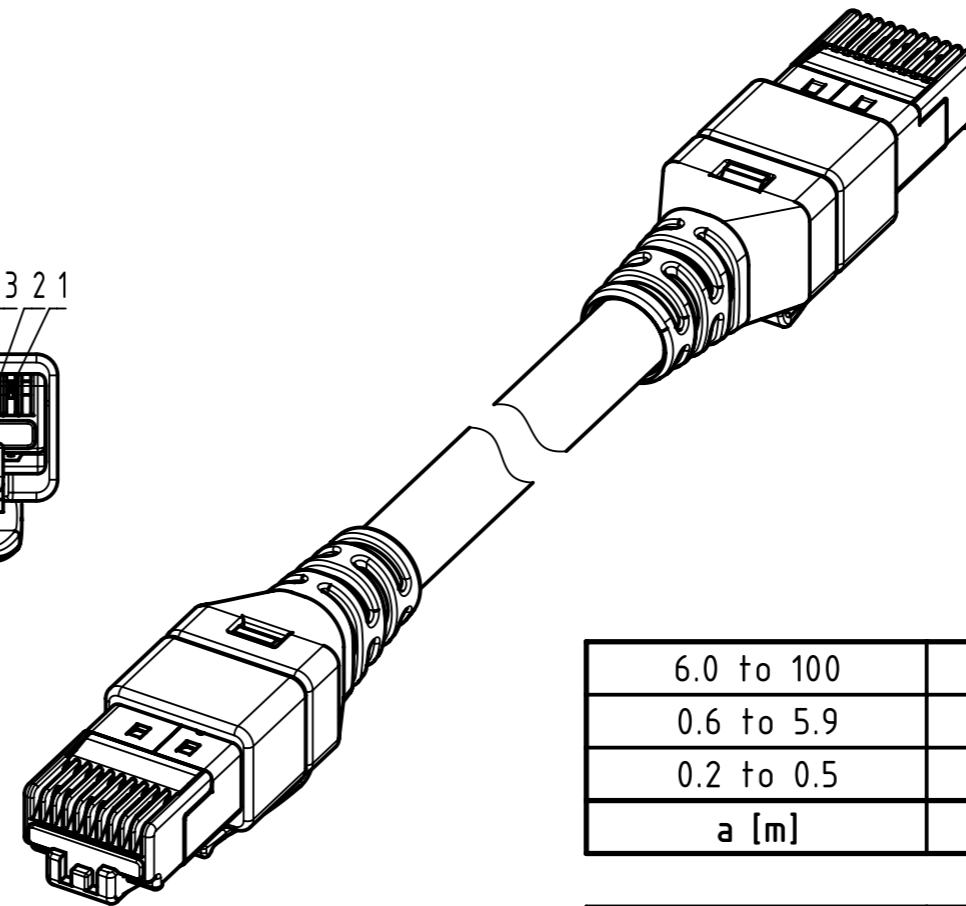
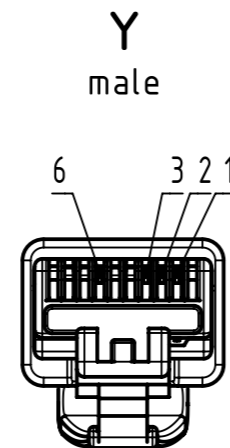
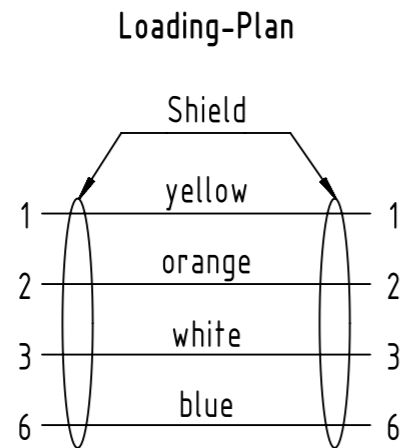
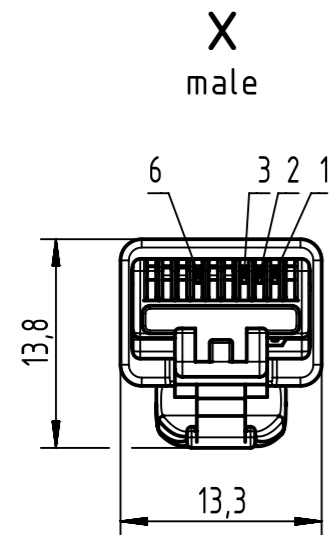
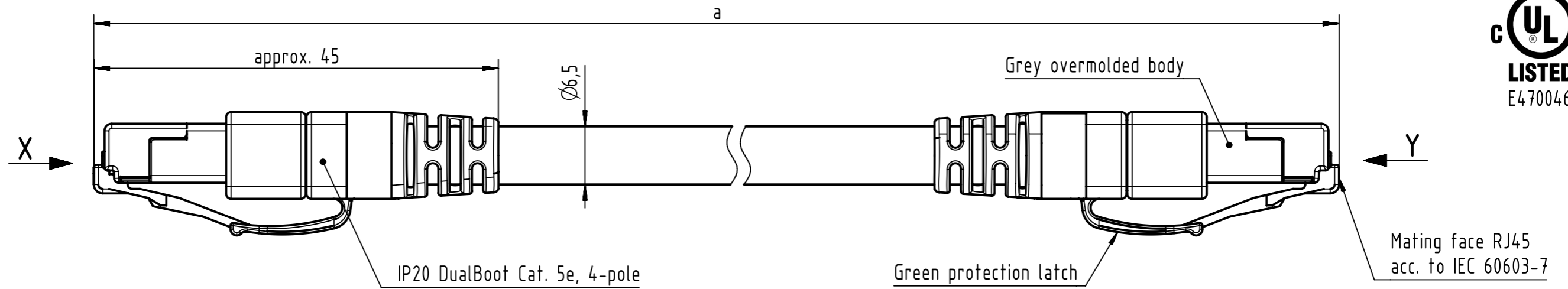


Connector Location A

Connector Location B



6.0 to 100	±1%
0.6 to 5.9	+0.04
0.2 to 0.5	+0.02
a [m]	Tolerance

length in "1m" step	100	XXX=000
	99	XXX=990
	.	.
	12	XXX=120
length in "0.1m" step	11	XXX=110
	10	XXX=100
	9.9	XXX=099
	9.8	XXX=098
	.	.
	0.5	XXX=005
	0.4	XXX=004
	0.3	XXX=003
	0.2	XXX=002
Step	a [m]	XXX

NOTE:
 For lengths < 1.0m:
 - relative positioning of the connectors to each other shall be as presented in the drawing, however with an admissible angular deviation around cable axis of ± 30°
 For lengths ≥ 1.0m:
 -relative positioning of the connectors to each other not obligatory

- Temperature range: -25°C ... +60°C

RJI Cable 4xAWG 22/7, Cat. 5, PUR, trailing, Type C, green	09486868004XXX
Type of cable	Part no.

	All Dimensions in mm	Tech. Character.	Free size tol.	According to production drawing	
	All rights reserved Department HCS - RO	Created by STOCHECIC Stochei	Inspected by COSTEA Costea	Standardisation MUNTEANV Muntean	Date 2018-11-22
HARTING Customised Solutions D-32339 Espelkamp		Title RJI PROFINET cable PUR Cat.5 4p		State Final Release	
		Type TB	Number 09486868004XXX		Doc-Key / ECM-Nr. 100544207/UGD/045/E 500000143802
				Rev. E	Page 1/1