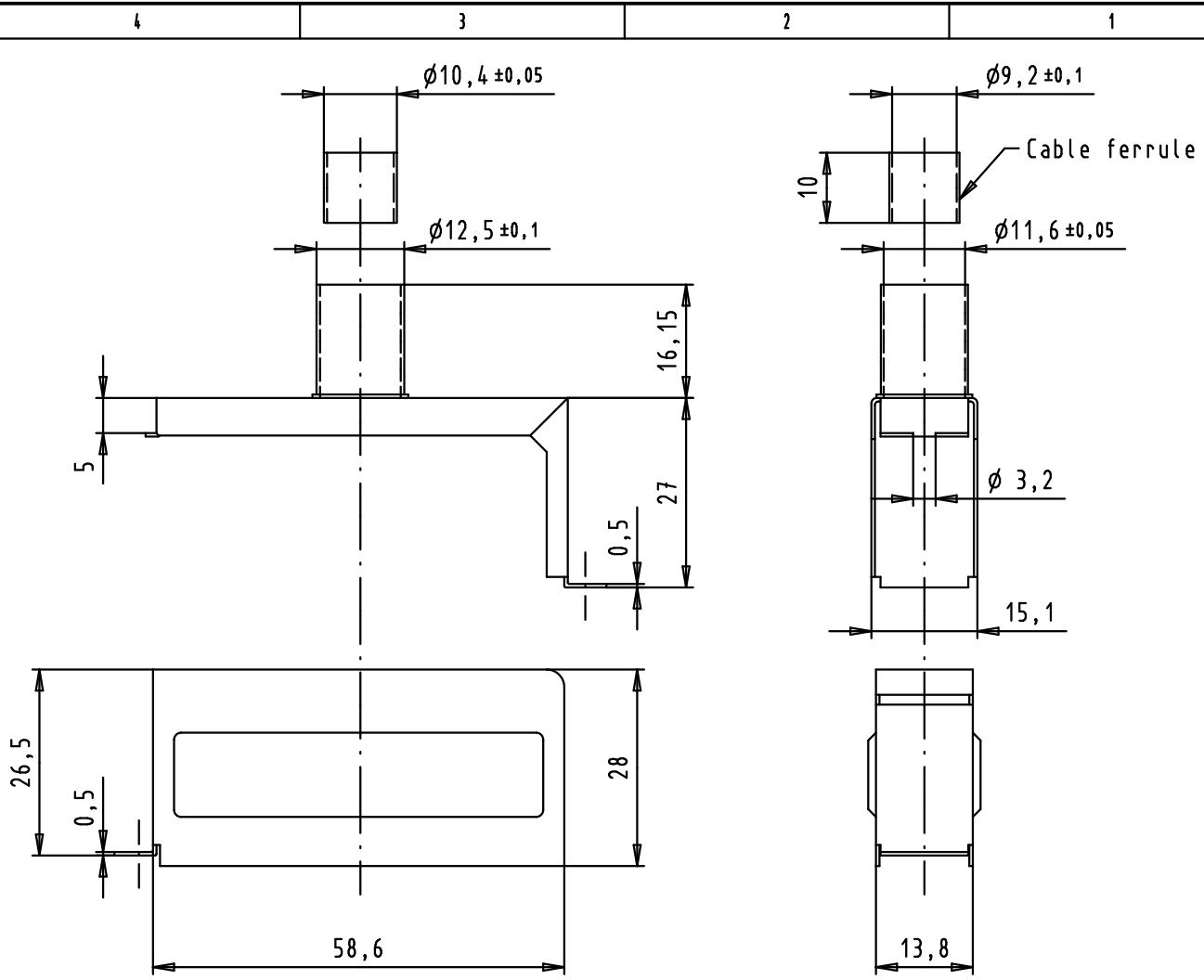
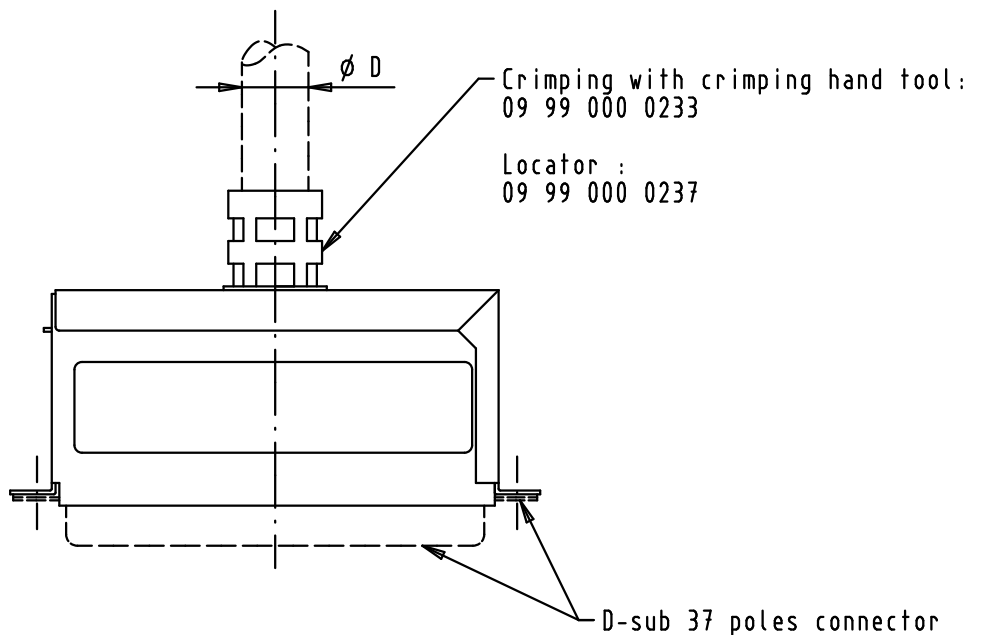


Alle Rechte vorbehalten/ All rights reserved

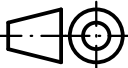



Assembly



Recommended cable outer diameter D: D min = 9,5 mm
D max = 11,5 mm

To be assembled with plastic cover 09 67 037 0422

A				Dat.	Name	 All Dim. in mm Orig. Size DIN A 4	D-Sub, 37 poles, cable ferrule, plastic cover, internal metal screen	Maßstab/ Scale
				Detail.	02/12/04			TR
					Insp.	02/03/11	JB	
	EC02932	01/03/11	SC	Stand.				
	34618	19/10/07	PK	HARTING EURL F-95972 Paris				TB 09 67 037 0421
	32480							
	Mod.	Dat.	Name				Sub.	1/1