

PresencePLUS P4 Sealed OMNI



OMNI, OMNI 1.3, and Color OMNI



Optional Lens Enclosure shown mounted on camera

- Ruggedized housing and connectors
- Washdown rating of IEC IP68
- Available for standard, high-resolution 1.3 megapixel, and Color OMNI
- Supports a wide range of lighting
- Supports standard C-mount lenses
- Choice of lens enclosure or integrated IP68 Ring Light LED..R90S Series
- Supports Banner Engineering's standard *PresencePLUS* user interface, image processing, and communications

Models

Model	Description
P4ORS	P4 Omni Right Angle—IP68 640 × 480 gray scale
P4O1.3RS	P4 Omni 1.3 Megapixel Right Angle—IP68 1280 × 1024 gray scale
P4CORS	P4 Color Omni Right Angle—IP68 752 × 480 color and gray scale



NOTE: Models require a Lens Enclosure or Integrated Ring Light, which are available separately.

Specifications

Power

Voltage: 10 to 30V dc (24V dc \pm 10% if a light source is powered by the Sensor)

Current:

P4 OMNI: 650 mA maximum (exclusive of I/O load and lights)

P4 Color OMNI: 550 mA maximum (exclusive of I/O load and lights)

P4 OMNI 1.3: 550 mA maximum (exclusive of I/O load and lights)

Discrete I/O

- 1 Trigger IN
- 1 Strobe OUT
- 4 Programmable I/O
- 1 Product Change
- 1 Remote Teach

Input/Output Configuration

NPN or PNP software selectable

Output Rating

150 mA

ON-State Saturation Voltage: <1V at 150 mA max.

NpN

OFF-State Leakage Current: <100 microamps NPN or PNP

Exposure Time

P4 OMNI: 0.1 to 2830 ms

P4 OMNI 1.3: 0.1 to 1670 ms

P4 Color OMNI: 0.1 to 1000 ms

Imager

P4 OMNI: 4.736 × 3.552 mm, 5.900 mm diagonal (1/3 inch CCD)

P4 OMNI 1.3: 8.576 × 6.861 mm, 10.9829 mm diagonal (2/3 inch CMOS)

P4 Color OMNI: 4.5 × 2.9 mm, 5.4 mm diagonal (1/3 inch CMOS)

Lens Mount

C-mount

Pixel Size

P4 OMNI: 7.4 × 7.4 microns

P4 OMNI 1.3: 6.7 × 6.7 microns

P4 Color OMNI: 6.0 × 6.0 microns

Construction

Die-cast nickel-plated aluminum sensor housing, glass or acrylic window

Weight: Approximately 0.43 kg (0.95 lb)

Environmental Rating

IEC IP68



Communication

10/100 Ethernet connection for running PresencePLUS P4 software and/or output inspection results. M12, 8-pin, female connector
RS-232 flying leads

Display Options

PC or NTSC video; 9 m (30 ft) max. cable length

Memory

INS Storage Memory: 32 MB
Number of INS Files: 999

Operating Conditions

Stable Ambient Temperature: 0° to +50° C (+32° to +122° F)

Stable Ambient Lighting: No large, quick changes in light level; no direct or reflected sunlight

Certifications

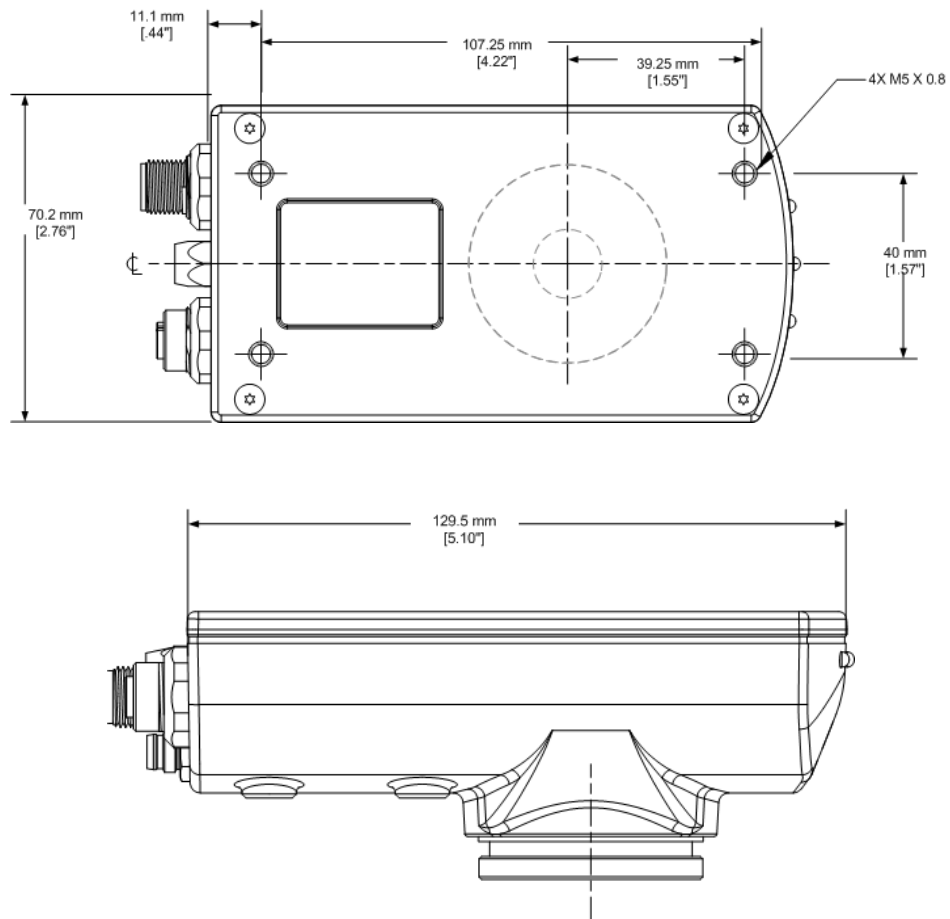


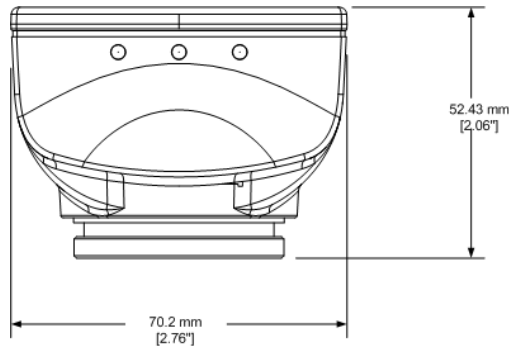
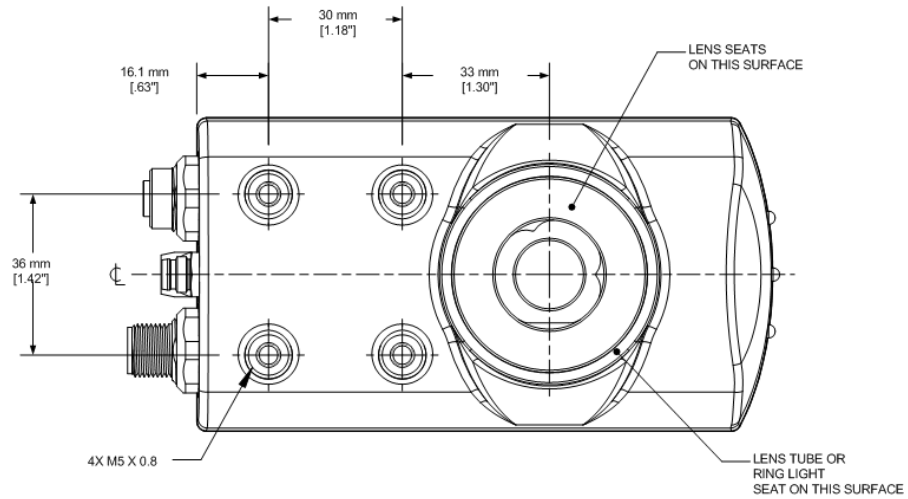
Acquisition

Levels of Gray Scale: 256
Color OMNI: 256 Red, Green, and Blue

Camera	Frames Per Second	Image Size (pixels)
P4 OMNI	48 max.	640 × 480
P4 OMNI 1.3	26.8 max.	1280 × 1024
P4 Color OMNI	17 max.	752 × 480

Dimensions





Cable Connections

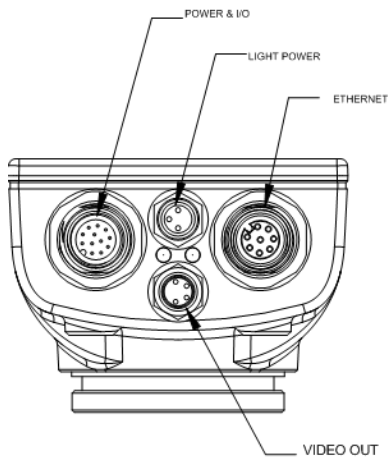


Figure 1. Cable Connections

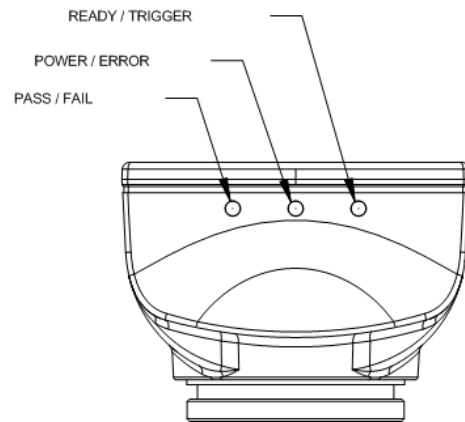


Figure 2. LED Indicators

Power and I/O Pinouts

Pin #	Wire Color	Description	Direction
1	White	Discrete I/O #3	In/Out
2	Brown	+10 to 30V dc	Input

Pin #	Wire Color	Description	Direction
3	Green	RS-232 Ground ¹	Output
4	Yellow	RS-232 Transmit ¹	Output
5	Gray	Remote Teach	Input
6	Pink	Trigger	Output
7	Blue	-10 to 30V dc	Input
8	Red	Discrete I/O #2	In/Out
9	Orange	Product Change	Input
10	Light Blue	Discrete I/O #4	In/Out
11	Black	Discrete I/O #1	In/Out
12	Violet	RS-232 Receive ¹	Input
Shield	Bare Metal	Chassis Ground	



NOTE: All unused inputs and outputs should be connected to ground if configured as PNP, and connected to +24V dc if configured as NPN. Serial input pins should be connected to ground.

Cordsets

Power Cordsets

I/O sealed high-flex cordsets 12 flying leads

12-Pin M12/Euro-Style Cordsets with Open Shield				
Model	Length	Style	Dimensions	Pinout
MQDC2S-1206	1.83 m (6 ft)	Straight		
MQDC2S-1215	4.57 m (15 ft)			
MQDC2S-1230	9.14 m (30 ft)			
MQDC2S-1250	15.2 m (50 ft)			
MQDC2S-1275	22.9 m (75 ft)			

- 1 = White
- 2 = Brown
- 3 = Green
- 4 = Yellow
- 5 = Gray
- 6 = Pink
- 7 = Blue
- 8 = Red
- 9 = Orange
- 10 = Lt. Blue
- 11 = Black
- 12 = Violet

¹ These three wires make up the RS-232 serial connection.

Camera to IP68 Ring Light Cordsets

PKG3M-35-PSG3M is a cordset from the Camera to the IP68 Ring Light

PKG3M-2-PSG3M is a Cordset from the Camera to the external light

3-Pin Threaded/Snap M8/Pico-Style Cordsets—Double Ended				
Model	Length	Style	Dimensions	Pinout
PKG3M-35-PSG3M	0.35 m (1.1 ft)	Straight		<p>Female</p>
PKG3M-2-PSG3M	2.00 m (6.6 ft)			<p>Male</p> <p>1 = Brown 3 = Blue 4 = Black</p>

Ethernet Cordsets

Straight Ethernet Cordset (for use with a hub)

RJ45 Ethernet to 8-Pin Threaded M12/Euro-Style Cordsets				
Model	Length	Style	Dimensions	Pinout
STP-MAQDC-806	1.83 m (6 ft)	Cat5e Shielded		<p>1 = Wh/Bl 2 = Wh/Br 3 = Brown 4 = Orange 5 = Wh/Gr 6 = Wh/Or 7 = Blue 8 = Green</p>
STP-MAQDC-815	4.57 m (15 ft)			
STP-MAQDC-830	9.14 m (30 ft)			

Video Cordsets

Video Cordset for use with PPM8

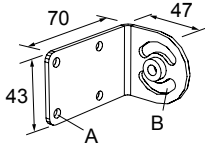
BNC to 4-Pin Threaded M8/Pico-Style Cordsets with Shield				
Model	Length	Style	Dimensions	Pinout
PKG4M-2/CS	2.00 m (6.6 ft)	BNC/Pico QD Straight		<p>Female 1 = Brown 2 = Not Used 3 = Blue 4 = Drain</p> <p>Male</p>
PKG4M-5/CS	5.00 m (16.4 ft)			
PKG4M-9/CS	9.00 m (29.5 ft)			

Mounting Bracket

SMBP4SRAF

Bracket includes:

- 4 stainless steel M5 mounting screws
- Allen wrench



A = 4 × ø 5.5; B = 4 × ø 7

Banner Engineering Corp Limited Warranty

Banner Engineering Corp. warrants its products to be free from defects in material and workmanship for one year following the date of shipment. Banner Engineering Corp. will repair or replace, free of charge, any product of its manufacture which, at the time it is returned to the factory, is found to have been defective during the warranty period. This warranty does not cover damage or liability for misuse, abuse, or the improper application or installation of the Banner product.

THIS LIMITED WARRANTY IS EXCLUSIVE AND IN LIEU OF ALL OTHER WARRANTIES WHETHER EXPRESS OR IMPLIED (INCLUDING, WITHOUT LIMITATION, ANY WARRANTY OF MERCHANTABILITY OR FITNESS FOR A PARTICULAR PURPOSE), AND WHETHER ARISING UNDER COURSE OF PERFORMANCE, COURSE OF DEALING OR TRADE USAGE.

This Warranty is exclusive and limited to repair or, at the discretion of Banner Engineering Corp., replacement. **IN NO EVENT SHALL BANNER ENGINEERING CORP. BE LIABLE TO BUYER OR ANY OTHER PERSON OR ENTITY FOR ANY EXTRA COSTS, EXPENSES, LOSSES, LOSS OF PROFITS, OR ANY INCIDENTAL, CONSEQUENTIAL OR SPECIAL DAMAGES RESULTING FROM ANY PRODUCT DEFECT OR FROM THE USE OR INABILITY TO USE THE PRODUCT, WHETHER ARISING IN CONTRACT OR WARRANTY, STATUTE, TORT, STRICT LIABILITY, NEGLIGENCE, OR OTHERWISE.**

Banner Engineering Corp. reserves the right to change, modify or improve the design of the product without assuming any obligations or liabilities relating to any product previously manufactured by Banner Engineering Corp.