

SGS Safety Grid System (Active/Passive Models)

Instruction Manual

Original Instructions
203063 Rev. A
25 January 2018
© Banner Engineering Corp. All rights reserved



203063

Contents

1 About This Document	4
1.1 Important . . . Read This Before Proceeding!	4
1.2 Use of Warnings and Cautions	4
1.3 EU Declaration of Conformity (DoC)	4
1.4 Banner Engineering Corp Limited Warranty	5
1.5 Contact Us	5
2 Product Overview	7
2.1 Models	7
2.2 Appropriate Applications and Limitations	8
2.2.1 Appropriate Applications	8
2.2.2 Examples: Inappropriate Applications	8
2.2.3 Control Reliability: Redundancy and Self-Checking	9
2.3 Operating Features	9
2.3.1 Selectable Auto or Manual Start/Restart	9
2.3.2 External Device Monitoring (EDM)	9
2.3.3 Status Indicators	9
3 Mechanical Installation	11
3.1 Mechanical Installation Considerations	11
3.1.1 Safety (Minimum) Distance	11
3.1.2 Calculating Safety Distance Formula and Examples	12
3.1.3 Reducing or Eliminating Pass-Through Hazards	13
3.1.4 Supplemental Safeguarding	14
3.1.5 Reset Switch Location	14
3.1.6 Adjacent Reflective Surfaces	15
3.1.7 Use of Corner Mirrors	15
3.1.8 Active Transceiver and Mirror Assembly Orientation	16
3.1.9 Installing Adjacent Systems	18
3.2 Mounting System Components	18
3.2.1 Mounting Hardware	18
3.2.2 Mounting the End-Mount Brackets	19
3.2.3 Sensor Mounting and Mechanical Alignment	20
3.2.4 Mounting Dimensions	20
4 Electrical Installation and Testing	21
4.1 Routing Cordsets	21
4.2 Initial Electrical Connections	21
4.3 Initial Checkout Procedure	22
4.3.1 Configuring the System for Initial Checkout	22
4.3.2 Apply (Initial) Power to the System	22
4.3.3 Optically Align the Components	22
4.3.4 Optically Align the Components with Mirrors	24
4.3.5 Conduct a Trip Test	25
4.4 Electrical Connections to the Guarded Machine	26
4.4.1 OSSD Output Connections	26
4.4.2 FSD Interfacing Connections	27
4.4.3 Machine Primary Control Elements and EDM Input	28
4.4.4 External Device Monitoring	28
4.4.5 Preparing for System Operation	29
4.5 Wiring Diagrams	29
4.5.1 Reference Wiring Diagrams	29
4.5.2 Generic Wiring for an Active Transceiver and Safety Module/Controller or Safety PLC/PES	30
4.5.3 Generic Wiring for a Active Transceiver and Redundant FSD	31
4.5.4 Generic Wiring for a Active Transceiver and IM-T-9A Interface Module	32
5 System Operation	33
5.1 Security Protocol	33
5.2 System Configuration Settings	33
5.3 Reset Procedures	34
5.3.1 Reset the Receiver or Active Transceiver After a Lockout	34
5.3.2 Reset in Manual Start/Restart Mode	34
5.4 Normal Operation	34
5.4.1 System Power-Up	34
5.4.2 Run Mode	34
5.5 Periodic Checkout Requirements	35
6 Troubleshooting and Maintenance	36

- 6.1 Error Codes 36
- 6.2 Lockout Conditions 37
- 6.3 Recovery Procedure 37
- 6.4 Electrical and Optical Noise 37
 - 6.4.1 Checking for Sources of Electrical Noise 38
 - 6.4.2 Check for Optical Noise Sources 38
- 6.5 Cleaning 38
- 6.6 Warranty Service 38
- 6.7 Disposal 38
- 7 Checkout Procedures 39**
 - 7.1 Checkout Procedures Schedule 39
 - 7.2 Perform a Commissioning Checkout 39
- 8 Specifications 41**
 - 8.1 General Specifications 41
 - 8.2 Dimensions 41
- 9 Accessories 43**
 - 9.1 Bracket and Test Piece 43
 - 9.2 Cordsets 43
 - 9.2.1 Single-Ended (Machine Interface) Cables 43
 - 9.2.2 Double-Ended (Sensor Interconnect) Cordsets 44
 - 9.2.3 Splitter Cordsets 44
 - 9.2.4 Bulkhead Connector 44
 - 9.3 Universal (Input) Safety Modules 45
 - 9.4 Safety Controllers 45
 - 9.5 Interface Modules 45
 - 9.6 Contactors 46
 - 9.7 Alignment Aids 46
 - 9.8 EZ-LIGHTS® for SGS 46
 - 9.9 SSM Series Corner Mirrors 48
 - 9.10 MSA Series Stands 48
- 10 Standards and Regulations 50**
 - 10.1 Applicable U.S. Standards 50
 - 10.2 Applicable OSHA Regulations 50
 - 10.3 International/European Standards 51
- 11 Glossary 52**

1 About This Document

1.1 Important . . . Read This Before Proceeding!

It is the responsibility of the machine designer, controls engineer, machine builder, machine operator, and/or maintenance personnel or electrician to apply and maintain this device in full compliance with all applicable regulations and standards. The device can provide the required safeguarding function only if it is properly installed, properly operated, and properly maintained. This manual attempts to provide complete installation, operation, and maintenance instruction. *Reading the manual in its entirety is highly recommended.* Please direct any questions regarding the application or use of the device to Banner Engineering.

For more information regarding U.S. and international institutions that provide safeguarding application and safeguarding device performance standards, see [Standards and Regulations](#) on page 50.



WARNING: User Responsibility





The user is responsible to:

- Carefully read, understand, and comply with all instructions for this device.
- Perform a risk assessment that includes the specific machine guarding application. Guidance on a compliant methodology can be found in ISO 12100 or ANSI B11.0.
- Determine what safeguarding devices and methods are appropriate per the results of the risk assessment and implement per all applicable local, state, and national codes and regulations. See ISO 13849-1, ANSI B11.19, and/or other appropriate standards.
- Verify that the entire safeguarding system (including input devices, control systems, and output devices) is properly configured and installed, operational, and working as intended for the application.
- Periodically re-verify, as needed, that the entire safeguarding system is working as intended for the application.

Failure to follow any of these responsibilities may potentially create a dangerous condition that could result in serious injury or death.

1.2 Use of Warnings and Cautions

The precautions and statements used throughout this document are indicated by alert symbols and must be followed for the safe use of the SGS Safety Grid System. Failure to follow all precautions and alerts may result in unsafe use or operation. The following signal words and alert symbols are defined as follows:

Signal Word	Definition	Symbol
	Warnings refer to potentially hazardous situations which, if not avoided, could result in serious injury or death.	
	Cautions refer to potentially hazardous situations which, if not avoided, could result in minor or moderate injury.	

These statements are intended to inform the machine designer and manufacturer, the end user, and maintenance personnel, how to avoid misapplication and effectively apply the SGS Safety Grid System to meet the various safeguarding application requirements. These individuals are responsible to read and abide by these statements.

1.3 EU Declaration of Conformity (DoC)

Banner Engineering Corp. herewith declares that the **SGS Safety Grid System** is in conformity with the provisions of the Machinery Directive 2006/42/EC and all essential health and safety requirements have been met.

Representative in EU: Peter Mertens, Managing Director Banner Engineering Europe. Address: Park Lane, Culliganlaan 2F, 1831 Diegem, Belgium.

1.4 Banner Engineering Corp Limited Warranty

Banner Engineering Corp. warrants its products to be free from defects in material and workmanship for one year following the date of shipment. Banner Engineering Corp. will repair or replace, free of charge, any product of its manufacture which, at the time it is returned to the factory, is found to have been defective during the warranty period. This warranty does not cover damage or liability for misuse, abuse, or the improper application or installation of the Banner product.

THIS LIMITED WARRANTY IS EXCLUSIVE AND IN LIEU OF ALL OTHER WARRANTIES WHETHER EXPRESS OR IMPLIED (INCLUDING, WITHOUT LIMITATION, ANY WARRANTY OF MERCHANTABILITY OR FITNESS FOR A PARTICULAR PURPOSE), AND WHETHER ARISING UNDER COURSE OF PERFORMANCE, COURSE OF DEALING OR TRADE USAGE.

This Warranty is exclusive and limited to repair or, at the discretion of Banner Engineering Corp., replacement. **IN NO EVENT SHALL BANNER ENGINEERING CORP. BE LIABLE TO BUYER OR ANY OTHER PERSON OR ENTITY FOR ANY EXTRA COSTS, EXPENSES, LOSSES, LOSS OF PROFITS, OR ANY INCIDENTAL, CONSEQUENTIAL OR SPECIAL DAMAGES RESULTING FROM ANY PRODUCT DEFECT OR FROM THE USE OR INABILITY TO USE THE PRODUCT, WHETHER ARISING IN CONTRACT OR WARRANTY, STATUTE, TORT, STRICT LIABILITY, NEGLIGENCE, OR OTHERWISE.**

Banner Engineering Corp. reserves the right to change, modify or improve the design of the product without assuming any obligations or liabilities relating to any product previously manufactured by Banner Engineering Corp. Any misuse, abuse, or improper application or installation of this product or use of the product for personal protection applications when the product is identified as not intended for such purposes will void the product warranty. Any modifications to this product without prior express approval by Banner Engineering Corp will void the product warranties. All specifications published in this document are subject to change; Banner reserves the right to modify product specifications or update documentation at any time. Specifications and product information in English supersede that which is provided in any other language. For the most recent version of any documentation, refer to: www.bannerengineering.com.

1.5 Contact Us

Corporate Headquarters

Address:
Banner Engineering Corporate
9714 Tenth Avenue North
Minneapolis, Minnesota 55441, USA

Phone: +1 763 544 3164
Website: www.bannerengineering.com

Europe

Address:
Banner Engineering EMEA
Park Lane, Culliganlaan 2F, bus 3
1831 Diegem, Belgium

Phone: +32 (0)2 456 0780
Website: www.bannerengineering.com
Email: mail@bannerengineering.com

Turkey

Address:
Banner Engineering Elk. San. Ve Tic. Ltd. Şti.
Şerifali Mah. Münevver Sok. Ekomed Plaza No:10 Kat:4
Ümraniye / İstanbul, Türkiye

Phone: +90 216 688 8282
Website: www.bannerengineering.com
Email: turkey@bannerengineering.com.tr

India

Address:
Banner Engineering India Pune Head Quarters
Office No. 1001, 10th Floor Sai Capital, Opp. ICC Senapati Bapat Road
Pune 411016, India

Phone: +91 (0) 206 640 5624
Website: www.bannerengineering.com
Email: salesindia@bannerengineering.com

Mexico

Address:
Banner Engineering de Mexico Monterrey Head Office
Edificio VAO Av. David Alfaro Siqueiros No.103 Col. Valle Oriente C.P.66269
San Pedro Garza Garcia, Nuevo Leon, Mexico

Phone: +52 81 8363 2714 or 01 800 BANNERE (toll free)
Website: www.bannerengineering.com
Email: mexico@bannerengineering.com

Brazil

Address:

Banner do Brasil
Rua Barão de Teffé nº 1000, sala 54
Campos Eliseos, Jundiaí - SP, CEP.: 13208-761, Brasil

Phone: +55 11 2709 9880

Website: www.bannerengineering.com

Email: brasil@bannerengineering.com

China

Address:

Banner Engineering Shanghai Rep Office
Xinlian Scientific Research Building Level 12, Building 2
1535 Hongmei Road, Shanghai 200233, China

Phone: +86 212 422 6888

Website: www.bannerengineering.com

Email: sensors@bannerengineering.com.cn

Japan

Address:

Banner Engineering Japan
Cent-Urban Building 305 3-23-15 Nishi-Nakajima Yodogawa-Ku
Osaka 532-0011, Japan

Phone: +81 (0)6 6309 0411

Website: www.bannerengineering.com

Email: mail@bannerengineering.co.jp

Taiwan

Address:

Banner Engineering Taiwan
8F-2, No. 308 Section 1, Neihu Road
Taipei 114, Taiwan

Phone: +886 (0)2 8751 9966

Website: www.bannerengineering.com

Email: info@bannerengineering.com.tw

2 Product Overview



Banner's SGS Safety Grid System is a two-piece, redundant, microprocessor-controlled, retroreflective optoelectronic "light grid". Standard models are available in 2 beam (500 mm beam spacing), 3 beam (400 mm beam spacing), or 4 beam (300 mm and 400 mm beam spacing) systems.

The emitter's modulated infrared (invisible) light-emitter diodes (LEDs) and the receivers photodetectors are contained in a robust metal housing (active side of the system). The passive side of the system contains mirrors inside a robust metal housing.

The SGS can be configured for Trip Output (Automatic start/restart) or Latch Output (Manual start/restart). In typical operation, if any part of an operator's body (or any opaque object) of more than a pre-determined cross section is detected, the solid-state output signal switching device (OSSD) safety outputs turn Off. These safety outputs are connected to the guarded machine's final switching devices (FSDs) that control the machine primary control elements (MPCEs), which immediately stop the motion of the guarded machine.

SGS sensors are extensively FMEA (Failure Mode and Effects Analysis) tested to establish an extremely high degree of confidence that when properly installed, no system component (even if it should ever fail) can cause a failure to danger.

SGS systems do not require an external controller when using the external device monitoring (EDM) function. This function ensures the fault detection capability required by U.S. Control Reliability and ISO 13849-1 Categories 3 or 4 and PL d or e for controlling final switching devices (FSDs) or Machine Primary Control Elements (MPCEs).

When the SGS is connected to a self-checking safety module, safety controller, or safety PLC/PES, that conforms to the level of performance required by the risk assessment, the EDM function of the SGS is not used. Examples include the UM-FA-9A/-11A safety module, SC22-3/-3E or XS/SC26-2 safety controller for applications requiring Control Reliability and/or ISO 13849-1 Categories 3 or 4 and PL d or e.

Electrical connections (power, ground, inputs and outputs) are made via M12 quick-disconnect cordsets.

The active unit features a 7-segment Diagnostic Display and individual LEDs to provide continuous indication of operating status, configuration, and error conditions.

2.1 Models

An SGS Safety Grid System refers to a compatible active and passive unit of equal length and resolution, including their cordsets and mounting hardware (ordered separately). Special-purpose mounting brackets are also available. Interfacing solutions include IM-T-.. modules, redundant positively guided contactors, safety modules/controllers, and muting modules.

The Active Transceiver and Mirror Assembly components of the SGS Safety Grid System are ordered separately. A complete system is composed of the following items:

Qty	Description
1	SGS Safety Grid System Active Transceiver
1	SGS Safety Grid System Passive Mirror Assembly
1	End-Cap Bracket Kit (SGSA-MBK-10-4), includes four brackets per kit
1	Literature packet with MiniDVD

See [Accessories](#) on page 43 for a list of brackets and cordsets.

Table 1: SGS Safety Grid System Active/Passive Models

Model	Type of Unit	Equivalent Beams	Beam Spacing	Protected Height (mm)	Response time (ms)	Range (m)
SGSSA2-500Q8	Active Transceiver	2	500	500	11	0.5 to 8
SGSSA3-400Q8		3	380	800	12	0.5 to 8

Model	Type of Unit	Equivalent Beams	Beam Spacing	Protected Height (mm)	Response time (ms)	Range (m)
SGSSA4-300Q8		4	300	900	12	0.5 to 6.5
SGSSA4-400Q8		4	400	1200	12	0.5 to 8
SGSB2-500	Mirror Assembly	-	500	-	-	-
SGSB3-400			380			
SGSB4-300			300			
SGSB4-400			400			

For dimensions, see [Dimensions](#) on page 41.

2.2 Appropriate Applications and Limitations



WARNING: Read this Section Carefully Before Installing the System

If all mounting, installation, interfacing, and checkout procedures are not followed properly, the Banner device cannot provide the protection for which it was designed. The user is responsible for ensuring that all local, state, and national laws, rules, codes, or regulations relating to the installation and use of this control system in any particular application are satisfied. Ensure that all legal requirements have been met and that all technical installation and maintenance instructions contained in this manual are followed.

The user has the sole responsibility to ensure that this Banner device is installed and interfaced to the guarded machine by Qualified Persons¹, in accordance with this manual and applicable safety regulations. **Failure to follow these instructions could result in serious injury or death.**

The Banner SGS is intended for safeguarding applications as determined by a risk assessment. It is the user's responsibility to verify whether the safeguarding is appropriate for the application and is installed, as instructed by this manual, by a Qualified Person.

The SGS ability to perform its safeguarding function depends upon the appropriateness of the application and upon its proper mechanical and electrical installation and interfacing to the guarded machine. **If all mounting, installation, interfacing, and checkout procedures are not followed properly, the SGS cannot provide the protection for which it was designed.**



WARNING:

- **Access and Perimeter Safeguard Installation**
- **Failure to follow these instructions could result in serious injury or death.**
- If an SGS Safety Grid System is installed for use as an access or perimeter guard (where a pass-through hazard may exist, see [Reducing or Eliminating Pass-Through Hazards](#) on page 13), configure the SGS for Manual Start/Restart (Latch Output). The dangerous machine motion can be initiated by normal means only after the safeguarded area is clear of individuals and the SGS Safety Grid System has been manually reset.

2.2.1 Appropriate Applications

This SGS Safety Grid System is typically used in access guiding and perimeter guarding applications. Some potential applications are:

- Automated production equipment
- Robotic work cells
- Palletizers
- Assembly and packaging machines
- Lean manufacturing systems

2.2.2 Examples: Inappropriate Applications

Do not use the SGS in the following applications:

- With any machine that cannot be stopped immediately after a stop signal is issued, such as single-stroke (or full-revolution) clutched machinery

¹ A person who, by possession of a recognized degree or certificate of professional training, or who, by extensive knowledge, training and experience, has successfully demonstrated the ability to solve problems relating to the subject matter and work.

- With any machine with inadequate or inconsistent machine response time and stopping performance
- With any machine that ejects materials or component parts through the defined area
- In any environment that is likely to adversely affect photoelectric sensing efficiency. For example, corrosive chemicals or fluids or unusually severe levels of smoke or dust, if not controlled, may degrade sensing efficiency
- As a tripping device to initiate or reinitiate machine motion (PSDI applications), unless the machine and its control system fully comply with the relevant standard or regulation (see OSHA 29CFR1910.217, ANSI/NFPA 79, ANSI B11.19, ISO 12100, IEC 60204-1, IEC 61496-1, or other appropriate standard)

2.2.3 Control Reliability: Redundancy and Self-Checking

Redundancy requires that the SGS circuit components be backed up to the extent that, if the failure of a single component will prevent effective machine stopping action when needed, that component must have a redundant counterpart which will perform the same function. The SGS is designed with redundant microprocessors.

Redundancy must be maintained whenever the SGS is in operation. Because a redundant system is no longer redundant after a component has failed, the SGS is designed to monitor itself continuously. A component failure detected by or within the self-checking system causes a stop signal to be sent to the guarded machine and puts the SGS into a Lockout condition.

A recovery from this type of Lockout condition requires:

- Replacement of the failed component (to restore redundancy)
- The appropriate reset procedure

The Diagnostic Display is used to diagnose causes of a Lockout condition. See [Troubleshooting and Maintenance](#) on page 36.

2.3 Operating Features

The Banner SGS Safety Grid System models described in this manual feature several functions.

2.3.1 Selectable Auto or Manual Start/Restart

The setting for Automatic Start/Restart (Trip Output) or Manual Start/Restart (Latch Output) determines if the SGS enters Run mode automatically or if a manual reset is required first. If the SGS is set for Trip Output, other measures must be taken to prevent a pass-through hazard. For more information, see [Reducing or Eliminating Pass-Through Hazards](#) on page 13.

If **Automatic Start/Restart** (Trip Output) is selected, the OSSD outputs turn on after power is applied, and the active transceiver passes its internal self-test/ synchronization and recognizes that all beams are clear. The OSSD outputs also turn on after all beams are cleared following a blocked beam.

If **Manual Start/Restart** (Latch Output) is selected, the SGS requires a manual reset for the OSSD outputs to turn on when power is applied and all beams are clear or after a blocked beam has been cleared.

Factory Default Setting: Manual Start/Restart



WARNING: Use of Auto (Trip) or Manual (Latch) Start/Restart

Application of power to the Banner device, the clearing of the sensing field, or the reset of a manual start/restart (latch) condition **MUST NOT** initiate dangerous machine motion. Machine control circuitry must be designed so that one or more initiation devices must be engaged (in a conscious act) to start the machine – in addition to the Banner device going into Run mode. **Failure to follow these instructions could result in serious injury or death.**

2.3.2 External Device Monitoring (EDM)

The External Device Monitoring (EDM) feature allows the SGS to monitor the status of external devices, such as FSDs and MPCEs. The choices are 1-channel monitoring or no monitoring. EDM is used when the SGS OSSD outputs directly control the FSDs, MPCEs, or other external devices.

Factory default setting: 1-channel monitoring

2.3.3 Status Indicators

The active unit's status indicators are on the front panel.

Active Transceiver

1-Digit Diagnostic Display—indicates configuration or specific error conditions.

Green Status—Indicates when all the OSSD outputs are on.

Red Status—Indicates when the OSSD outputs are off.

Last Couple—Indicates when the last (second) emitter/receiver pair is not made in alignment mode.

First Couple—Indicates when the first emitter/receiver pair is not made in alignment mode.

EDM Status—Indicates when EDM is being used (decimal point).

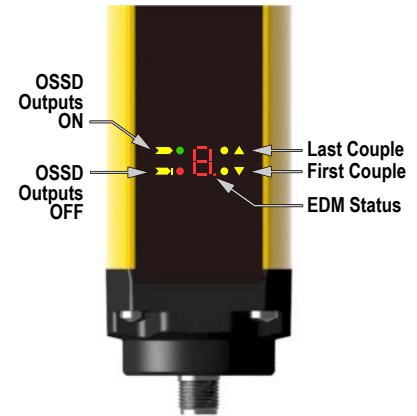
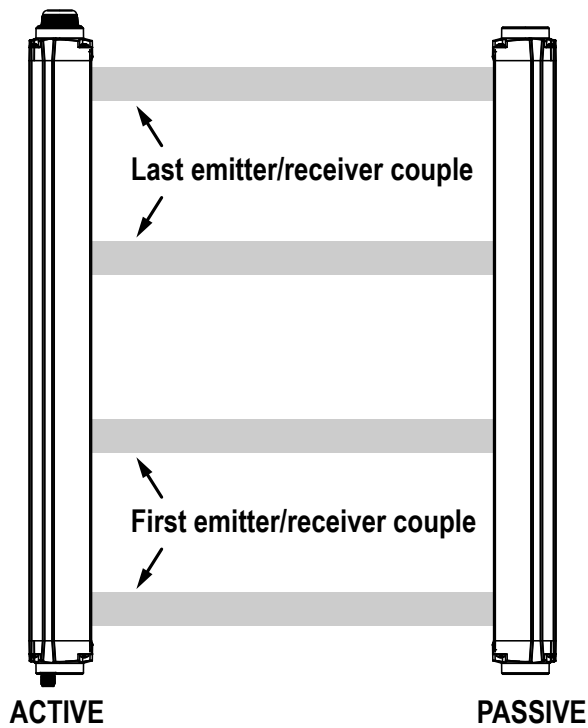


Figure 1. Status Indicators—Active Transceiver



3 Mechanical Installation

The SGS system performance as a safety guarding device depends on:

- The suitability of the application
- The proper mechanical and electrical installation and interfacing to the guarded machine



WARNING: Read this Section Carefully Before Installing the System

If all mounting, installation, interfacing, and checkout procedures are not followed properly, the Banner device cannot provide the protection for which it was designed. The user is responsible for ensuring that all local, state, and national laws, rules, codes, or regulations relating to the installation and use of this control system in any particular application are satisfied. Ensure that all legal requirements have been met and that all technical installation and maintenance instructions contained in this manual are followed.

The user has the sole responsibility to ensure that this Banner device is installed and interfaced to the guarded machine by Qualified Persons², in accordance with this manual and applicable safety regulations. **Failure to follow these instructions could result in serious injury or death.**

3.1 Mechanical Installation Considerations

The two primary factors that influence the layout of the SGS system mechanical installation are the Safety Distance (Minimum Distance) (see [Calculating Safety Distance Formula and Examples](#) on page 12) and the supplemental safeguarding/eliminating pass-through hazards (see [Reducing or Eliminating Pass-Through Hazards](#) on page 13). Other considerations include:

- Active Transceiver to Mirror Assembly Orientation [Active Transceiver and Mirror Assembly Orientation](#) on page 16)
- Adjacent Reflective Surfaces (see [Adjacent Reflective Surfaces](#) on page 15)
- Use of Corner Mirrors (see [Use of Corner Mirrors](#) on page 15)
- Installation of Multiple Systems (see [Installing Adjacent Systems](#) on page 18)



WARNING: The Hazard Must Be Accessible Only through the Sensing Field

The installation of the SGS must prevent any individual from reaching around, under, over or through the sensing field and into the hazard without being detected. Mechanical barriers (for example, hard (fixed) guarding) or supplemental safeguarding may be required to comply with this requirement, and is described by ANSI B11.19 safety requirements or other appropriate standards. **Failure to follow these instructions could result in serious injury or death.**

3.1.1 Safety (Minimum) Distance

Safety Distance (Ds), also called Minimum Distance (S), is the minimum distance required between the SGS sensing field and the closest reachable hazard point. The distance is calculated so that when an object or a person is detected (by blocking a sensing beam), the SGS sends a stop signal to the machine, causing it to stop by the time the object or person can reach any machine hazard point.

The distance is calculated differently for U.S. and European installations. Both methods take into account several factors, including a calculated human speed, the total system stopping time (which itself has several components), and the depth penetration factor. After the distance has been determined, record the calculated distance on the Daily Checkout Card.



WARNING:

- **Safety Distance (Minimum Distance)**
- **Failure to establish and maintain the minimum distance could result in serious injury or death.**
- Mount the Banner active transceivers and mirror assemblies at a distance from the nearest hazard such that an individual cannot reach the hazard before cessation of hazardous motion or situation. Calculate this distance using the formulas as described by ANSI B11.19 and ISO 13855.

² A person who, by possession of a recognized degree or certificate of professional training, or who, by extensive knowledge, training and experience, has successfully demonstrated the ability to solve problems relating to the subject matter and work.

3.1.2 Calculating Safety Distance Formula and Examples

U.S. Applications	European Applications
The Safety (Separation) Distance formula for U.S. applications:	The Minimum Distance formula for European applications:
$D_s = K \times (T_s + T_r) + D_{pf}$	$S = (K \times T) + C$
<p>D_s the Safety Distance</p> <p>K 1600 mm per second (or 63 in per second), the OSHA 29CFR1910.217, and ANSI B11.19 recommended approach speed constant (see Note 1 below)</p> <p>T_s the overall stop time of the machine (in seconds) from the initial stop signal to the final ceasing of all motion, including stop times of all relevant control elements (for example, IM-T-.. Interface Modules) and measured at maximum machine velocity (see Note 3 below)</p> <p>T_r the maximum response time, in seconds, of the SGS active transceiver (depending on model)</p> <p>D_{pf} the added distance due to the depth penetration factor as prescribed in OSHA 29CFR1910.217, and ANSI B11.19 for U.S. applications D_{pf} is 900 mm (36 in) for reach-through applications if the top of the sensing field cannot be reached over and the bottom beam is no more than 300 mm (12 in) above the floor D_{pf} is 1200 mm (48 in) for reach-over applications where the top of the sensing field is between 900 mm (36 in) and 120 mm (48 in) above the floor and the bottom beam is no more than 300 mm (12 in) above the floor</p>	<p>S the Minimum Distance, in mm, from danger zone to SGS sensing field center line</p> <p>K 1600 mm per second recommended approach speed constant (see Note 2 below)</p> <p>T the overall machine stopping response time (in seconds), from the physical initiation of the safety device and the machine coming to a stop (or the hazard removed). This can be broken down into two parts: T_s and T_r where T = T_s + T_r</p> <p>C the additional distance, in mm, based on intrusion of a hand or object towards the danger zone prior to actuation of a safety device. Calculate using the formula (in mm):</p> <div style="background-color: #e0e0e0; padding: 5px; margin: 5px 0;">C = 850</div> <p>since the resolution is greater than 40 mm.</p>

Notes:

1. The OSHA-recommended approach speed constant **K** has been determined by various studies and, although these studies indicate speeds of 1600 mm/sec. (63 in/sec.) to more than 2500 mm/sec. (100 in/sec.), they are not conclusive determinations. Consider all factors, including the physical ability of the operator, when determining the value of **K** to be used.
2. The recommended approach speed constant **K**, derived from data on approach speeds of the body or parts of the body as stated in ISO 13855.
3. **T_s** is usually measured by a stop-time measuring device. If the machine manufacturer's specified stop time is used, at least 20% should be added to allow for possible clutch/ brake system deterioration. This measurement must take into account the slower of the two MPCE channels, and the response time of all devices or controls that react to stop the machine.

Example Calculation

US Application example: Model SGSxA4-400xxx	European Application example: Model SGSxA4-400xxx
K = 1600 mm/s (63 in/s)	K = 1600 mm per second
Ts = 0.32 (0.250 seconds is specified by the machine manufacturer; plus 20% safety factor; plus 20 ms interface module IM-T-9A response)	T = 0.332 (0.250 seconds is specified by the machine manufacturer; plus 20% safety factor; plus 20 ms interface module IM-T-9A response), plus 0.012 seconds (the specified SGSxA4-400xxx response time)
Tr = 0.012 seconds (the specified SGSxA4-400xxx response time)	
Dpf = 900 mm (36 in)	C = 850 mm
Ds = 1600 × (0.32 + 0.012) + 900 = 1432 mm (57 in)	S = (1600 × 0.332) + 850 = 1382 mm
Mount the SGS active transceiver and mirror assembly so that no part of the sensing field is closer than 1432 mm (57 in) to the closest reachable hazard point on the guarded machine.	Mount the SGS active transceiver and mirror assembly so that no part of the sensing field will be closer than 1382 mm to the closest reachable hazard point on the guarded machine.

**WARNING: Determine Correct Stop Time**

Stop time (Ts) must include the response time of all devices or controls that react to stop the machine. If all devices are not included, the calculated safety distance (Ds or S) will be too short. **Failure to follow these instructions could result in serious injury or death.** Be sure to include the stop time of all relevant devices and controls in your calculations.

If required, each of the two Machine Primary Control Elements (MPCE1 and MPCE2) must be capable of immediately stopping the dangerous machine motion, regardless of the state of the other. These two channels of machine control need not be identical, but the stop time performance of the machine (Ts, used to calculate the safety distance) must take into account the slower of the two channels.

3.1.3 Reducing or Eliminating Pass-Through Hazards

A *pass-through* hazard is associated with applications where personnel may pass through a safeguard, such as the SGS Safety Grid System (which issues a stop command to remove the hazard), and then continues into the guarded area. This is common in access and perimeter guarding applications. Subsequently, their presence is no longer detected, and the related danger becomes the unexpected start or restart of the machine while personnel are within the guarded area.

In the use of light screens, a pass-through hazard typically results from large safety distances calculated from long stopping times, large minimum object sensitivities, reach-over, reach-through, or other installation considerations. A pass-through hazard can be generated with as little as 75 mm (3 in) between the sensing field and the machine frame or hard (fixed) guarding.

Eliminate or reduce pass-through hazards whenever possible. While it is recommended to eliminate the pass-through hazard altogether, this may not be possible due to machine layout, machine capabilities, or other application considerations.

One solution is to ensure that personnel are continually sensed while within the hazardous area. This can be accomplished by using supplemental safeguarding, such as described by the safety requirements in ANSI B11.19 or other appropriate standards.

An alternative method is to ensure that once the safeguarding device is tripped it will latch and will require a deliberate manual action to reset. This method of safeguarding relies upon the location of the reset switch as well as safe work practices and procedures to prevent an unexpected start or restart of the guarded machine. The SGS Safety Grid System provides a configurable Manual Start/Restart (Latch Output) function for these applications.

**WARNING: Use of the Banner device for Access or Perimeter Guarding**

If a Banner device is installed in an application that results in a pass-through hazard (for example, perimeter guarding), either the Banner device or the Machine Primary Control Elements (MPCEs) of the guarded machine must cause a Latched response following an interruption of the defined area.

The reset of this Latched condition may only be achieved by actuating a reset switch that is separate from the normal means of machine cycle initiation.

Lockout/Tagout procedures per ANSI Z244.1 may be required, or additional safeguarding, as described by ANSI B11.19 safety requirements or other appropriate standards, must be used if a passthrough hazard cannot be eliminated or reduced to an acceptable level of risk. **Failure to follow these instructions could result in serious injury or death.**

3.1.4 Supplemental Safeguarding

As described, the SGS must be properly positioned such that an individual cannot reach through the sensing field and access the hazard point before the machine has stopped.

Additionally, the hazard cannot be accessible by reaching around, under, or over the sensing field. To accomplish this, supplemental guarding (mechanical barriers, such as screens or bars), as described by ANSI B11.19 safety requirements or other appropriate standards, must be installed. Access will then be possible only through the sensing field of the SGS System or through other safeguarding that prevents access to the hazard.

The mechanical barriers used for this purpose are typically called "hard (fixed) guarding"; there must be no gaps between the hard (fixed) guarding and the sensing field. Any openings in the hard (fixed) guarding must comply with the safe opening requirements of ANSI B11.19 or other appropriate standard.

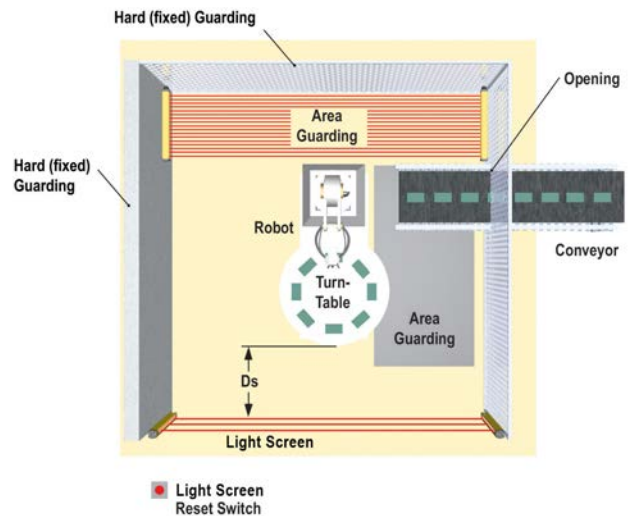


Figure 2. An example of supplemental safeguarding

Figure 2 on page 14 shows an example of supplemental safeguarding inside a robotic work cell. The SGS, in conjunction with the hard (fixed) guarding, is the primary safeguard. Supplemental safeguarding (such as a horizontal-mounted safety light screen as an area guard) is required in areas that cannot be viewed from the reset switch (for example, behind the robot and the conveyor). Additional supplemental safeguarding may be required to prevent clearance or trapping hazards (for example, a safety mat as an area guard between the robot, the turntable, and the conveyor).



WARNING: The Hazard Must Be Accessible Only through the Sensing Field

The installation of the SGS must prevent any individual from reaching around, under, over or through the sensing field and into the hazard without being detected. Mechanical barriers (for example, hard (fixed) guarding) or supplemental safeguarding may be required to comply with this requirement, and is described by ANSI B11.19 safety requirements or other appropriate standards. **Failure to follow these instructions could result in serious injury or death.**

3.1.5 Reset Switch Location

Mount the reset switch at a location that complies with the warning and guidelines below. If any hazardous areas are not in view from the switch location, additional means of safeguarding must be provided. The switch should be protected from accidental or unintended actuation (for example, through the use of rings or guards).

A key-actuated reset switch provides some operator or supervisory control, as the key can be removed from the switch and taken into the guarded area. However, this does not prevent unauthorized or inadvertent resets due to spare keys in the possession of others, or additional personnel entering the guarded area unnoticed. When considering where to locate the reset switch, follow the guidelines below.



WARNING: Reset Switch Location

When considering where to locate the reset switch, you must follow the guidelines outlined in this section.

If any areas within the guarded area are not visible from the reset switch, additional safeguarding must be provided, as described by the ANSI B11.19 series or other appropriate standards.

Failure to follow these instructions could result in serious injury or death.

All reset switches must be:

- Outside the guarded area
- Located to allow the switch operator a full, unobstructed, view of the entire guarded area while the reset is performed
- Out of reach from within the guarded area
- Protected against unauthorized or inadvertent operation (such as through the use of rings or guards).



Important: Resetting a safeguard must not initiate hazardous motion. Safe work procedures require a start-up procedure to be followed and the individual performing the reset to verify that the entire hazardous area is clear of all personnel before each reset of the safeguard is performed. If any area cannot be observed from the reset switch location, additional supplemental safeguarding must be used: at a minimum, visual and audible warnings of machine start-up.

3.1.6 Adjacent Reflective Surfaces



WARNING: Avoid Installation Near Reflective Surfaces

Avoid locating the sensing field near a reflective surface; it could reflect sensing beam(s) around an object or person within the sensing field, and prevent its detection by the SGS. Perform the trip test, as described in the manual, to detect such reflection(s) and the resultant optical short circuit. **Failure to prevent reflection problems will result in incomplete guarding and could result in serious injury or death.**

A reflective surface located adjacent to the sensing field may deflect one or more beams around an object in the sensing field. In the worst case, an optical short circuit may occur, allowing an object to pass undetected through the sensing field.

This reflective surface may result from shiny surfaces or glossy paint on the machine, the workpiece, the work surface, the floor, or the walls. Beams deflected by reflective surfaces are discovered by performing the trip test and the periodic checkout procedures. To eliminate problem reflections:

- If possible, relocate the sensors to move the beams away from the reflective surface(s), being careful to maintain adequate separation distance
- Otherwise, if possible, paint, mask, or roughen the shiny surface to reduce its reflectivity
- Where these are not possible (as with a shiny workpiece or machine frame), determine the worst-case resolution resulting from the optical short circuit and use the corresponding depth penetration factor (Dpf or C) in the Safety Distance (Minimum Distance) formula; or mount the sensors in such a way that the receiver's field of view and/or the emitter's spread of light are restricted from the reflective surface
- Repeat the trip test (see *Trip Test* under *Initial Checkout Procedure* on page 22) to verify these changes have eliminated the problem reflection(s). If the workpiece is especially reflective and comes close to the sensing field, perform the trip test with the workpiece in place

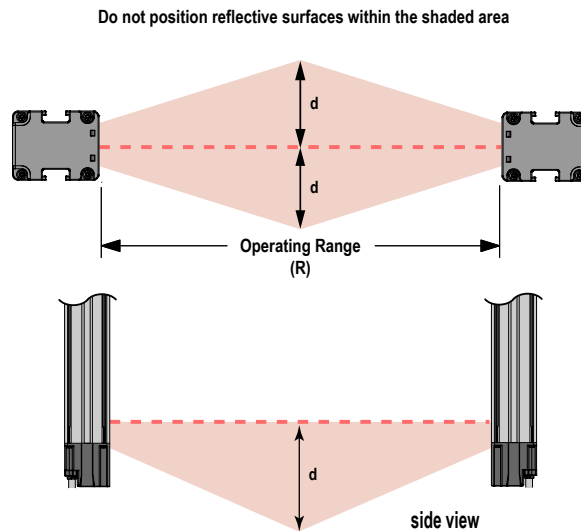


Figure 3. Adjacent Reflective Surfaces

For 0.1 to 3 m (4 in to 10 ft) Operating range: $d = 0.13$ m (5 in)

For Operating range > 3 m (> 10 ft): $d = 0.0437 \times R$ (m or ft)

3.1.7 Use of Corner Mirrors

SGS may be used with one or more corner mirrors. Mirrors are not allowed for applications that would allow undetected personnel access into the safeguarded area. The use of glass-surface corner mirrors reduces the maximum specified active transceiver/mirror assembly separation by approximately 8 percent per mirror, as follows:

Table 2: SSM Series Glass-Surface Mirrors³ —Maximum Active Transceiver and Mirror Assembly Separation

Number of Mirrors	Maximum Active Transceiver/Mirror Assembly Separation	
	8 meters max range (m)	6.5 meters max range (m)
1	7.36	5.98
2	6.77	5.5
3	6.23	5.06

If mirrors are used, the difference between the angle of incidence from the active transceiver to the mirror and from the mirror to the mirror assembly must be between 45° and 120°. If placed at a sharper angle, an object in the light screen may deflect beam(s) to the mirror assembly, preventing the object from being detected, also known as false proxing. Angles greater than 120° result in difficult alignment and possible optical short circuits.



WARNING:

- **Avoid Retroreflective Installation**
- Sensing may be unreliable in this configuration and could result in a serious injury or death.
- Do not install active transceivers and mirror assemblies in retroreflective mode, with less than a 45° angle of incidence, as shown.

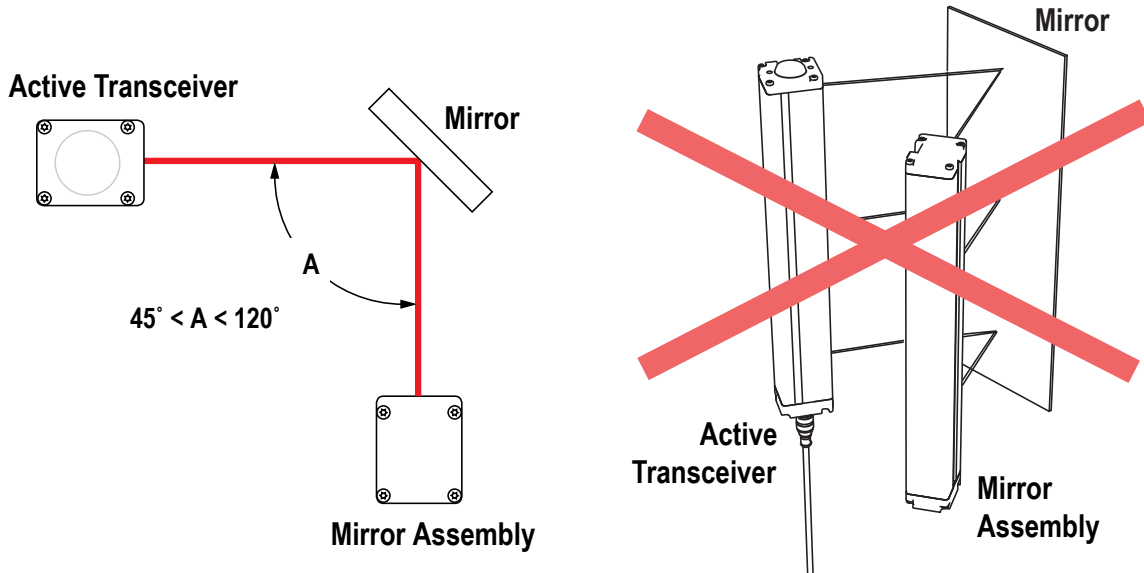


Figure 4. Using SGS sensors in a retroreflective mode

3.1.8 Active Transceiver and Mirror Assembly Orientation

Mount the Active Transceiver and Mirror Assembly parallel to each other and aligned in a common plane, with both labeled ends pointing in the same direction (labeling/markings is found on the back of the units). Never mount the Mirror Assembly with its labeled end oriented in the opposite direction of the labeled end of the Active Transceiver. If this occurs, voids in the SGS sensing field may allow objects or personnel to pass through the defined area undetected. Verify the SGS Safety Grid System completely covers all access to the hazard point that is not already protected by hard (fixed) guarding or other supplemental guarding.



WARNING:

- **Proper Orientation of the Active Transceivers and Mirror Assemblies**
- Failure to orient the SGS active transceivers and mirror assemblies properly will impair the performance of the SGS Safety Grid System and will result in incomplete guarding, which could result in serious injury or death.
- Install SGS active transceivers and mirror assemblies with their corresponding labeled ends pointing in the same direction (for example, both labeled ends facing down).

³ See the specific mirror data sheet or www.bannerengineering.com for further information.

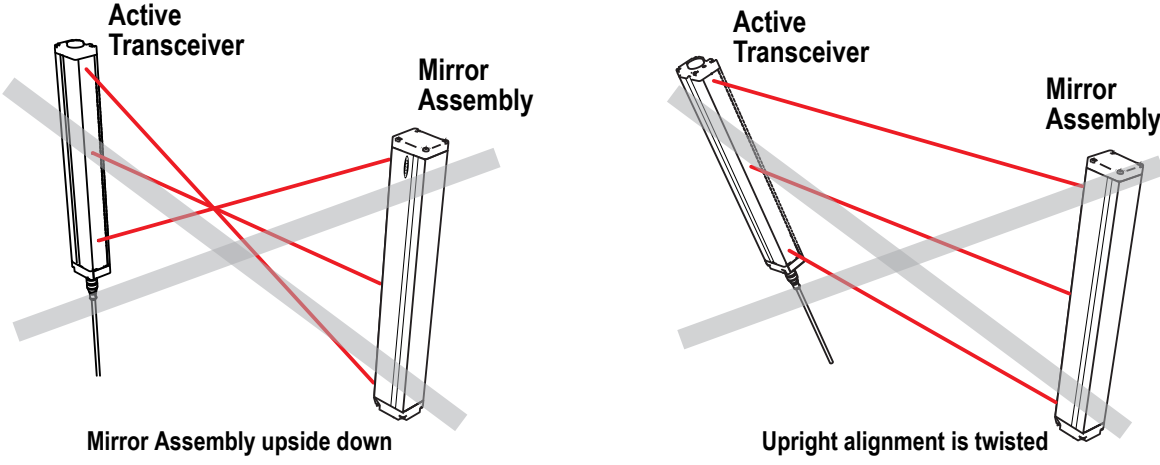


Figure 5. Examples of Incorrect Active Transceiver/Mirror Assembly Orientation

3.1.9 Installing Adjacent Systems

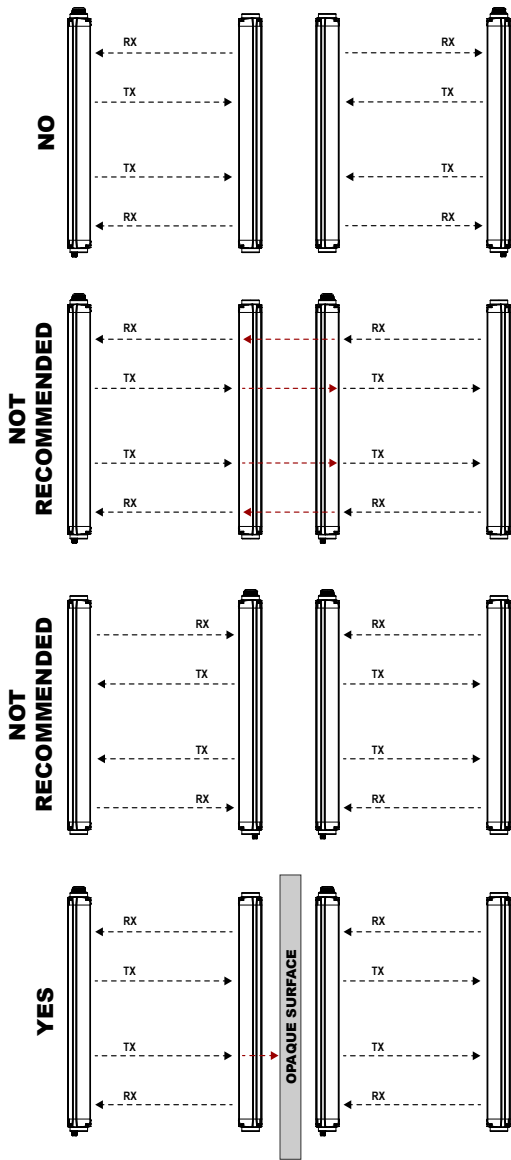


Figure 6. Installation of Multiple Systems

When two or more SGS system pairs are adjacent to one another, optical crosstalk may take place between the systems. To minimize optical crosstalk, alternate the positions of the components. The only way to eliminate the potential for optical crosstalk is by adding a mechanical (opaque) barrier between systems.



WARNING:

- System may synchronize to a signal from the wrong unit
- If an opaque barrier is not installed, a system may synchronize to the signal from the wrong unit, reducing the safety function of the light screen. This situation is discovered by performing the trip test. **Failure to follow these instructions could result in serious injury or death.**
- In situations where multiple systems are mounted close together, or where a second system is in view (within +/- 5 degrees) and within range of an adjacent system, **install a physical opaque barrier.**

3.2 Mounting System Components

3.2.1 Mounting Hardware

After the mechanical layout consideration of [Mechanical Installation Considerations](#) on page 11 are addressed, mount the sensors and route the cables. SGS systems can be spaced from 0.5 m to 6.5 m or 8 m apart, depending on the model.

The end mount bracket kit is ordered separately. The end mount brackets allow 360 degree rotation.

3.2.2 Mounting the End-Mount Brackets

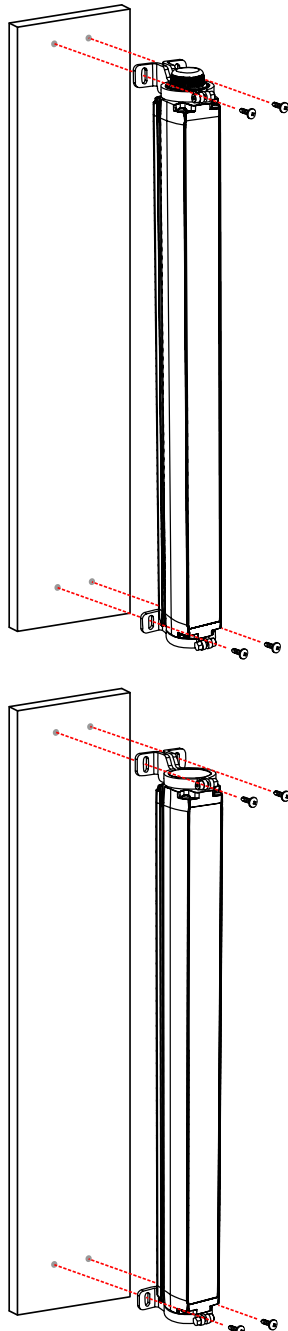


Figure 7. End-Mount Brackets

- See [Sensor Mounting and Mechanical Alignment](#) on page 20 for additional mounting recommendations.
 - The labeled ends of both assemblies must point in the same direction.
 - Four brackets are supplied with each SGSA-MBK-10-4 kit ordered.
 - Loosely mount the brackets to the desired surface using the supplied bolts and nuts, or user-supplied hardware. (Use the M5 hardware to mount the brackets to the light curtain; use the M6 hardware to mount the brackets to the machine.)
1. From a common point of reference (ensuring the calculated minimum safety distance), measure to position the components in the same plane, with their midpoints directly opposite each other, and locate and drill mounting holes if necessary.
 2. Slide the end-mount bracket onto the side mounting channels and tighten the channel screws. The brackets can be mounted flush on the ends of the Mirror Assembly or can be spaced off like the Active Transceiver for increased flexibility of swapping units around if needed.
 3. Position the components and attach the flange to the mounting holes.
 4. Verify that the sensor windows directly face each other by rotating the sensor(s), then tighten the bracket screws.
 5. Measure from a reference plane, for example, a level building floor, to the same point(s) on the components to verify their mechanical alignment. Use a carpenter's level, a plumb bob, or the optional LAT-1-SGS Laser Alignment Tool (see [Alignment Aids](#) on page 46) or check the diagonal distances between the sensors, to achieve mechanical alignment. See [Sensor Mounting and Mechanical Alignment](#) on page 20.
 6. Temporarily tighten all fasteners that allow for adjustment. Final alignment procedures are explained in [Initial Checkout Procedure](#) on page 22.

3.2.3 Sensor Mounting and Mechanical Alignment

Verify that:

- The components are directly opposite each other
- Nothing is interrupting the defined area
- The defined area is the same distance from a common reference plane for each sensor
- The components are in the same plane and are level/plumb and square to each other (vertical, horizontal, or inclined at the same angle, and not tilted front-to-back or side-to-side)

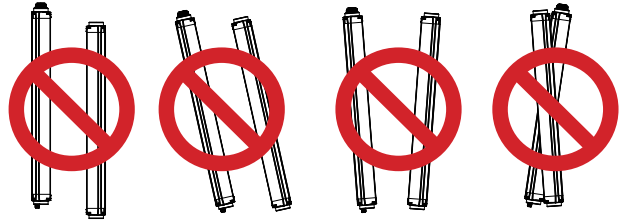
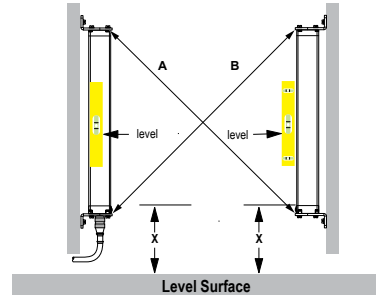


Figure 8. Incorrect Sensor Alignment

Vertical Installations – verify that:

- Distance X at each component are equal
- Both sensors are level/plumb (check both the side and face)
- Defined area is square. Check diagonal measurements if possible (Diagonal A = Diagonal B).



3.2.4 Mounting Dimensions

All measurements are listed in millimeters [inches], unless noted otherwise. See [Specifications](#) on page 41 for the SGS dimensions with and without brackets installed.

End-Mount Bracket	Dimensions
SGSA-MBK-10-4	

4 Electrical Installation and Testing



WARNING: Read this Section Carefully Before Installing the System

If all mounting, installation, interfacing, and checkout procedures are not followed properly, the Banner device cannot provide the protection for which it was designed. The user is responsible for ensuring that all local, state, and national laws, rules, codes, or regulations relating to the installation and use of this control system in any particular application are satisfied. Ensure that all legal requirements have been met and that all technical installation and maintenance instructions contained in this manual are followed.

The user has the sole responsibility to ensure that this Banner device is installed and interfaced to the guarded machine by Qualified Persons⁴, in accordance with this manual and applicable safety regulations. **Failure to follow these instructions could result in serious injury or death.**



WARNING: Multiple Pairs of Sensors

Do not connect multiple pairs of sensors to one Interface Module (for example, IM-T-9A/-11A) or otherwise parallel OSSD outputs. **Connection of multiple OSSD safety outputs to a single device could result in serious injury or death.**

The following are the main steps to electrically install the SGS components and interface with the guarded machine:

1. Routing cordsets and making initial electrical connections (see [Routing Cordsets](#) on page 21 and [Initial Electrical Connections](#) on page 21).
2. Apply power to the active transceiver (see [Initial Electrical Connections](#) on page 21).
3. Perform an Initial Checkout Procedure (see [Initial Checkout Procedure](#) on page 22).
4. Make all electrical interface connections to the guarded machine (see [Electrical Connections to the Guarded Machine](#) on page 26).
5. Perform a commissioning checkout procedure (see [Perform a Commissioning Checkout](#) on page 39).

4.1 Routing Cordsets

Attach the required cordsets to the sensors, and route the sensor cables to the junction box, electrical panel, or other enclosure in which the interface module, the redundant mechanically linked interposing relays, FSDs, or other safety-related parts of the control system are located. This must be done per local wiring code for low-voltage dc control cables and may require installation of electrical conduit. See [Accessories](#) on page 43 for selection of Banner supplied cables.

SGS is designed and manufactured to be highly resistant to electrical noise and to operate reliably in industrial settings. However, extreme electrical noise may cause a random Trip condition; in extreme cases, a Lockout is possible.

Active transceiver wiring is low voltage; routing the sensor wires alongside power wires, motor/servo wires, or other high voltage wiring may inject noise into the SGS System. It is good wiring practice, and sometimes may be required by code, to isolate active transceiver cables from high-voltage wires, avoid routing cables close to “noisy” wiring, and provide a good connection to earth ground.

Sensor cabling and any interconnect wiring should have an insulation temperature rating of at least 90 °C (194 °F). The maximum machine interface cable length is 70 m.

4.2 Initial Electrical Connections



WARNING: Proper Electrical Hookup

Electrical hookup must be made by Qualified Personnel and must comply with NEC (National Electrical Code) and local standards. **Make no more connections to the SGS System than are described in this manual. Connection of other wiring or equipment to the SGS System could result in serious injury or death.**

Lockout/tagout procedures may be required (refer to OSHA1910.147, ANSI Z244-1, ISO 14118, or the appropriate standard for controlling hazardous energy). Following relevant electrical standards and wiring codes, such as the NEC, NFPA79 or IEC60204-1, always connect the earth ground (green wire) for proper electromagnetic compatibility. **Do not operate the SGS without an earth ground connection.**

Make the electrical connections in the order described in this section. Do not remove end-caps; no internal connections are to be made. All connections are made through the QD connections.

⁴ A person who, by possession of a recognized degree or certificate of professional training, or who, by extensive knowledge, training and experience, has successfully demonstrated the ability to solve problems relating to the subject matter and work.

Active Transceiver Cordset—8-pin

Do not connect any wires to the machine control circuits (OSSD outputs) at this time. For the initial power-up and checkout, External Device Monitoring (EDM) must be configured/wired (see [External Device Monitoring](#) on page 28) and the reset line must be connected to +24 V dc via a NC switch. Take precautions to prevent unused wires from shorting to ground or to other sources of energy (for example, terminate with a wire-nut). Final OSSD wiring must be completed later.

4.3 Initial Checkout Procedure

The initial checkout procedure must be performed by a Qualified Person. It must be performed only after configuring the System and after connecting the components.

Perform this procedure to:

- Ensure proper installation when the System is first installed
- Ensure proper System function whenever any maintenance or modification is performed on the System or on the machinery that is guarded by the System.

4.3.1 Configuring the System for Initial Checkout

For the initial checkout, the SGS System must be checked without power available to the guarded machine. Final interface connections to the guarded machine cannot take place until the light screen system has been checked out. This may require lockout/tagout procedures (refer to OSHA1910.147, ANSI Z244-1, ISO 14118, or the appropriate standard for controlling hazardous energy). The OSSD connections will be made after the initial checkout procedure has been successfully completed.

Verify that:

- The reset line (violet wire) is connected via a NC switch to +24 V dc
- Power has been removed from (or is not available to) the guarded machine and its controls or actuators
- The machine control circuit or the Safety/Interface Module is not connected to the OSSD outputs at this time (permanent connections will be made later)
- EDM is configured and wired per application requirements (1-channel or no monitoring, see [External Device Monitoring](#) on page 28)

4.3.2 Apply (Initial) Power to the System

1. Inspect the area near the light screen for reflective surfaces, including work pieces and the guarded machine. Reflective surfaces may cause light beams to reflect around a person in the light screen, preventing the person from being detected and not stopping the machine motion (see [Adjacent Reflective Surfaces](#) on page 15).
2. Eliminate the reflective surfaces as much as possible by relocating, painting, masking, or roughening them. Remaining problem reflections will become apparent during the trip test.
3. **Verify that power is removed** from the SGS Safety Grid System System and from the guarded machine and that the OSSD safety outputs are not connected.
4. Remove all obstructions from the light screen.
5. With the power to the guarded machine Off, make external device monitoring (EDM), power, and earth ground connections on the active transceiver cable (see [Reference Wiring Diagrams](#) on page 29).
Connect the +24 V dc (brown wire) and 0 V dc (blue wire) to a SELV-rated supply and connect the ground (green wire) to earth ground. See [Specifications](#) on page 41 for power supply requirements. If the installation does not allow direct connection to earth ground via the cordset, provide the earth ground via the mounting brackets. Connect the reset line (violet wire) via a NC switch to +24 V dc.
6. Power up the SGS Safety Grid System only.
7. Verify the input power is present to the active transceiver.
At least one indicator on the active transceiver should be On and the start-up sequence should cycle.
8. Watch the active transceiver status and alignment to determine the light screen alignment status.
9. Optically align the components.

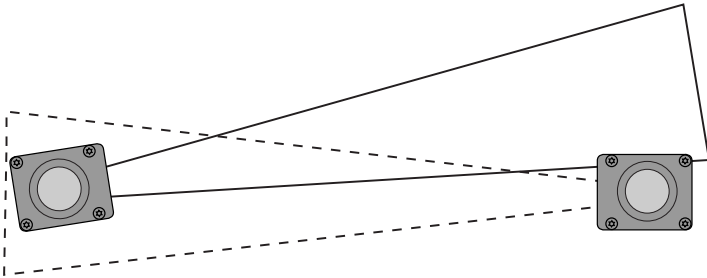
4.3.3 Optically Align the Components



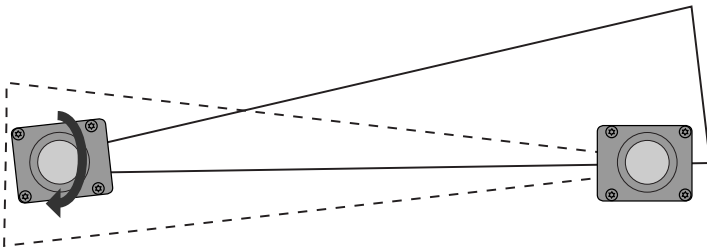
CAUTION: Ensure no individuals are exposed to any hazard if the OSSD outputs turn ON when the SGS system aligns.

Verify the optimal alignment, adjusting the sensor rotation with the power on. (It is easiest to align in trip mode.) At power-up, all indicators are tested (cycle).

- 1. Verify the active transceiver and mirror assembly are pointed squarely at each other. Use a straight edge (for example, a level) to determine the direction the sensor is facing. The sensor face must be perpendicular to the optical axis.

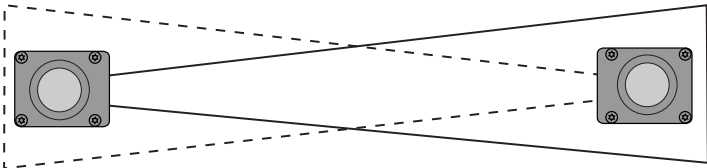


- 2. Enter Alignment mode by holding the NC Reset Switch open during the power-on sequence for at least 0.5 s past the power being applied.

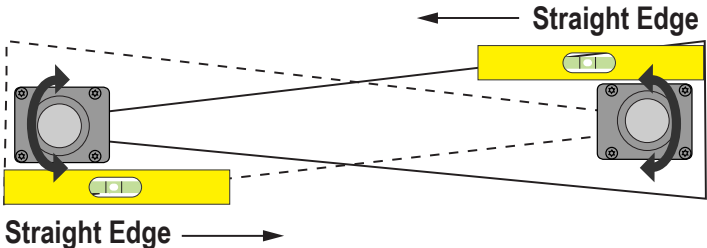


If the components are not aligned, the Last Couple and First Couple lights are on, the green status light is off, the red status light is on, and the 7-segment display shows an A.

- 3. On the active transceiver: If the green Status light is on, the red status light is off, and a 4 shows on the display, go to the next step. If not, rotate each sensor (one at a time) left and right until the green Status indicator is on and the highest number shows on the display. The better the alignment, the faster the amber light in the end cap flashes. (As the sensor rotates out of alignment, the red Status indicator turns on).



- 4. To optimize alignment and maximize excess gain, slightly loosen the sensor mounting screws and rotate one sensor left and right, noting the positions in each arc where the Status indicators turn red (blocked condition). Repeat with the other sensor. Center each sensor between those two positions and tighten the mounting screws, making sure to maintain the positioning as the screws are tightened.



- 5. For situations where alignment is difficult, use an LAT-1-SGS Laser Alignment Tool to assist or confirm alignment by providing a visible red dot along the sensor's optical axis.

6. After alignment is complete, cycle power to return to normal operation.

Alignment Procedure Display Codes			
Display	Alignment state	Alignment quality	OSSD state out of alignment-function
	no sync; first and last couple are not aligned	bad	OFF
	last couple is not aligned	bad	OFF
	first couple is not aligned	bad	OFF
		marginal	ON
	every couple over the lower threshold and no couple over the upper threshold	good	ON
	every couple over the lower threshold and one couple over the upper threshold	better	ON
	every couple over the upper threshold	very good	ON
	best alignment with every couple over the upper threshold	excellent	ON

The alignment level is monitored also during device normal operating mode, and is displayed using a bar graph shown on the user interface. After the curtain has been aligned and correctly fastened, use the display signal to check the alignment and view any change in the environmental conditions (presence of dust, light disturbance and so on). The behavior is resumed in the next table.

Visualization	Alignment state	Alignment quality
	marginal alignment	Minimum
	every couple over the lower threshold and no couple over the upper threshold	Medium
	All but one couple over the lower threshold and one couple over the upper threshold	Good
	every couple over the upper threshold	Excellent

4.3.4 Optically Align the Components with Mirrors

SGS sensors may be used with one or more corner mirrors for guarding more than one side of an area. The SSM-... rear-surface glass mirrors are rated at 85% efficiency. Thus, excess gain and sensing range are reduced when using mirrors; see [Use of Corner Mirrors](#) on page 15.

During any adjustments, allow only one individual to adjust any one item at any one time.

In addition to the standard optical alignment procedure, verify:

1. The active transceiver, mirror assembly, and all mirrors are level and plumb.
2. The middle of the defined area and the center point of the mirrors are approximately the same distance from a common reference point, such as the same height above a level floor.
3. There are equal amounts of mirror surface above and below the defined area such that the optical beams are not passing below or above the mirror.



Note: A LAT-1-SGS Laser Alignment Tool is very helpful by providing a visible red dot along the optical axis. See Banner Safety Applications Note SA104 (p/n [57477](#)) for further information.

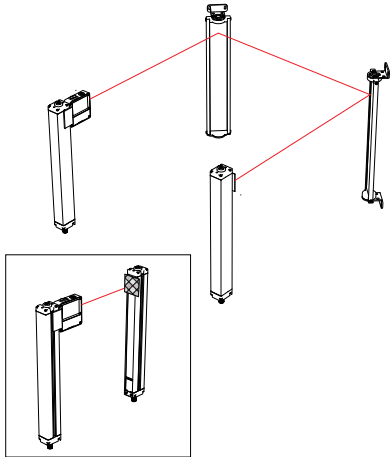


Figure 9. Optical alignment using the LAT-1-SGS

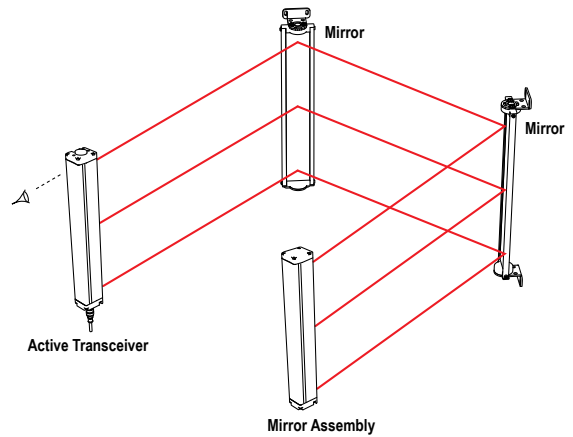


Figure 10. Corner Mirror Alignment

4.3.5 Conduct a Trip Test

After optimizing the optical alignment, perform the trip test to verify the detection capability of the SGS system.

This test also verifies correct sensor orientation and identifies optical short circuits. After the installation has passed the trip test, the safety outputs may be connected and the commissioning checkout may be performed (initial installations only).

1. Verify the system is in Run mode and the Green Status indicator is on.

- Pass the test piece through each beam in three paths: near the mirror assembly, near the active transceiver, and midway between the two components. Use a 60 mm or larger diameter test piece (not supplied).

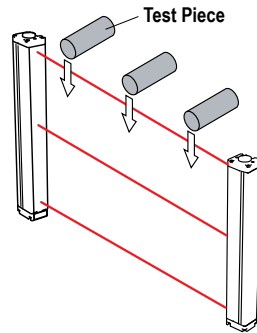


Figure 11. Trip Test

During each pass, while the test piece is interrupting each beam, the red Status indicator should turn on and the green indicator should turn off. If this does not happen, the installation has failed the trip test. Check for correct sensor orientation and reflective surfaces. When the test piece is removed from the sensing field, in trip output operation, the green Status indicator must turn on and the red indicator turn off.



WARNING: If the Trip Test Indicates a Problem

If the SGS System does not respond properly to the trip test, do not attempt to use the System. If this occurs, the System cannot be relied on to stop dangerous machine motion when a person or object enters the sensing field. **Failure to follow these instructions could result in serious injury or death.**

- If mirrors are used in the application, test the sensing field on each leg of the sensing path (for example, between mirror assembly to mirror, between mirror and active transceiver).
- If the SGS System passes all checks during the trip test, go on to [Electrical Connections to the Guarded Machine](#) on page 26.

4.4 Electrical Connections to the Guarded Machine

Verify that power has been removed from the SGS and the guarded machine. Make the permanent electrical connections as described in [OSSD Output Connections](#) on page 26 and [FSD Interfacing Connections](#) on page 27 as required by each individual application.

Lockout/tagout procedures may be required (refer to OSHA 1910.147, ANSI Z244-1, ISO 14118, or the appropriate standard for controlling hazardous energy). Follow relevant electrical standards and wiring codes, such as the NEC, NFPA79 or IEC 60204-1.

Supply power and external device monitoring (EDM) should already be connected. The SGS must also have been aligned and passed the Initial Checkout, as described in [Initial Checkout Procedure](#) on page 22.

The final connections to be made or verified are:

- OSSD outputs
- FSD interfacing
- MPCE/EDM



CAUTION: Shock Hazard

Always disconnect power from the Banner device and the guarded machine before making any connections or replacing any component. **Use extreme caution to avoid electrical shock at all times.**

4.4.1 OSSD Output Connections

Refer to the output specifications in the electrical specifications (see [Specifications](#) on page 41) and the warning below before making OSSD output connections and interfacing the SGS to the machine.

**WARNING: Interfacing of Both OSSDs**

Both OSSD (Output Signal Switching Device) outputs must be connected to the machine control so that the machine's safety-related control system interrupts the circuit to the machine primary control element(s), resulting in a non-hazardous condition.

Never wire an intermediate device(s) (for example, PLC, PES, or PC) that can fail in such a manner that there is the loss of the safety stop command, OR in such a manner that the safety function can be suspended, overridden, or defeated, unless accomplished with the same or greater degree of safety. **Failure to follow these instructions could result in serious injury or death.**

**WARNING: OSSD Interfacing**

To ensure proper operation, the Banner device output parameters and machine input parameters must be considered when interfacing the Banner device OSSD outputs to machine inputs. Machine control circuitry must be designed so that the maximum load resistance value is not exceeded and that the maximum specified OSSD Off-state voltage does not result in an On condition.

Failure to properly interface the OSSD Outputs to the guarded machine could result in serious injury or death.

4.4.2 FSD Interfacing Connections

FSDs (Final Switching Devices) take many forms. The most common are forced-guided devices, mechanically linked relays, or interface modules. The mechanical linkage between the contacts allows the device to be monitored by the External Device Monitoring circuit for certain failures.

Depending on the application, the use of FSDs can facilitate controlling voltage and current that differs from the OSSD outputs of the SGS. FSDs can also be used to control an additional number of hazards by creating multiple safety stop circuits.

Protective Stop (Safety Stop) Circuits

A protective stop (safety stop) allows for an orderly cessation of motion for safeguarding purposes, which results in a stop of motion and removal of power from the MPCEs (assuming this does not create additional hazards). A protective stop circuit typically comprises a minimum of two normally open contacts from forced-guided, mechanically linked relays, which are monitored through External Device Monitoring to detect certain failures in order to prevent the loss of the safety function. Such a circuit can be described as a "safe switching point". Typically, protective stop circuits are either single-channel, which is a series connection of at least two normally open contacts; or dual-channel, which is a separate connection of two normally open contacts. In either method, the safety function relies on the use of redundant contacts to control a single hazard. If one contact fails On, the second contact arrests the hazards and prevents the next cycle from occurring. See [Wiring Diagrams](#) on page 29.

The interfacing of the protective stop circuits must be accomplished so that the safety function cannot be suspended, overridden, or defeated, unless accomplished in a manner of the same or greater degree of safety as the machine's safety related control system that includes the SGS.

The normally open safety outputs from an interface module provide a series connection of redundant contacts that form protective stop circuits for use in either single-channel or dual-channel control. See [Wiring Diagrams](#) on page 29.

Dual-Channel Control

Dual-channel control provides the ability to electrically extend the safe switching point beyond the FSD contacts. With proper monitoring, this method of interfacing is capable of detecting certain failures in the control wiring between the safety stop circuit and the MPCEs. These failures include a short-circuit of one channel to a secondary source of energy or voltage, or a loss of the switching ability of one of the FSD outputs. Such failures may lead to a loss of redundancy, or to a complete loss of safety, if not detected and corrected.

The possibility of a failure to the wiring increases as the physical distance between the FSD safety stop circuits and the MPCEs increases, as the length or the routing of the interconnecting wires increases, or if the FSD safety stop circuits and the MPCEs are located in different enclosures. For this reason, dual-channel control with EDM monitoring should be used in any installation where the FSDs are located remotely from the MPCEs.

Single-Channel Control

Single-channel control uses a series connection of FSD contacts to form a safe switching point. After this point in the machine's safety-related control system, failures can occur that would result in a loss of the safety function (such as a short-circuit to a secondary source of energy or voltage). For this reason, single-channel control interfacing should be used only in installations where FSD safety stop circuits and the MPCEs are mounted within the same control panel, adjacent to

each other, and are directly connected to each other; or where the possibility of such a failure can be excluded. If this cannot be achieved, then dual-channel control should be used.

Methods to exclude the possibility of these failures include, but are not limited to:

- Physically separating interconnecting control wires from each other and from secondary sources of power
- Routing interconnecting control wires in separate conduit, runs, or channels
- Locating all elements (modules, switches, and devices under control) within one control panel, adjacent to each other, and directly connected with short wires
- Properly installing multi-conductor cabling and multiple wires through strain relief fittings. Over-tightening of a strain-relief can cause short-circuits at that point.
- Using positive-opening or direct-drive components, installed and mounted in a positive mode

4.4.3 Machine Primary Control Elements and EDM Input

A machine primary control element (MPCE) is an electrically powered element that directly controls the normal operation of a machine in such a way that it is the last element (in time) to function when machine operation is to be initiated or arrested (per IEC 61496-1). Examples include motor contactors, clutch/brakes, valves, and solenoids.

Depending on the level of risk of harm, it may be required to provide redundant MPCEs or other control devices that are capable of immediately stopping the dangerous machine motion, irrespective of the state of the other. These two machine control channels need not be identical (diverse redundant), but the stop time performance of the machine (Ts, used to calculate the safety distance, see [Calculating Safety Distance Formula and Examples](#) on page 12) must take into account the slower of the two channels. Consult the machine manufacturer for additional information.

To ensure that an accumulation of failures does not compromise the redundant control scheme (cause a failure to danger), a method to verify the normal functioning of MPCEs or other control devices is required. The SGS system provides a convenient method for this verification: external device monitoring (EDM).

For the SGS external device monitoring to function properly, each device must include a normally closed, forced-guided (mechanically linked) contact that can accurately reflect the status of the device. This ensures that the normally open contacts, used for controlling hazardous motion, have a positive relationship with the normally closed monitoring contacts and can detect a failure to danger (for example, contacts that are welded closed or stuck On).

It is strongly recommended that a normally closed, forced-guided monitoring contact of each FSD and MPCE be connected in series with the EDM input (see [Generic Wiring for a Active Transceiver and IM-T-9A Interface Module](#) on page 32). If this is done, proper operation will be verified. Monitoring FSD and MPCE contacts is one method of maintaining control reliability (OSHA/ANSI) and Category 3 and 4 (ISO 13849-1).

If monitoring contacts are not available or do not meet the design requirement of being forced-guided (mechanically linked), it is recommended you:

- Replace the devices so that they are capable of being monitored; or
- Incorporate the EDM function into the circuit as close to the MPCE as possible (for example, monitor the FSDs); and
- Employ the use of well-trying, tested, and robust components, and generally accepted safety principles, including fault exclusion, into the design and installation to either eliminate, or reduce to an acceptable (minimal) level of risk, the possibility of undetected faults or failures that can result in the loss of the safety function.

The principle of fault exclusion allows the designer to design out the possibility of various failures and justify it through the risk assessment process to meet the required level of safety performance, such as the requirements of Category 2, 3, or 4. See ISO 13849-1/-2 for further information.



WARNING: EDM Monitoring. If the System is configured for “No Monitoring,” it is the user’s responsibility to ensure that this does not create a hazardous situation. **Failure to follow these instructions could result in serious injury or death.**

4.4.4 External Device Monitoring

SGS provides two possible EDM configurations: 1-channel monitoring and no monitoring. Their functions are described below. The most common form of EDM is 1-channel monitoring; its primary advantages is the simplicity of wiring. The installation must prevent short circuits across the N.C. monitoring contacts and to secondary sources of power.

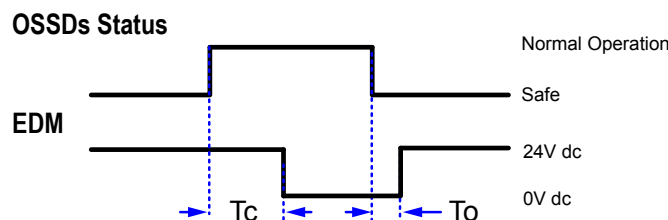


Figure 12. One-channel EDM status, with respect to safety output

External Device Monitoring Wiring

If not connected previously, it is again strongly recommended that one normally closed, forced-guided monitoring contact of each FSD and MPCE be wired as shown in the monitoring circuit (see [Generic Wiring for a Active Transceiver and IM-T-9A Interface Module](#) on page 32). Pin 3 of the active transceiver connector provides connection for the external device monitoring input.

External device monitoring (EDM) must be wired in one of two configurations described below.

One-Channel Monitoring: This is a series connection of normally closed monitor contacts that are force-guided (mechanically linked) from each device controlled by the SGS. The monitor contacts must be closed before the SGS OSSDs can turn on. After the safety outputs (OSSDs) turn on, the monitor contacts must open in 350 ms. However, the monitor contacts must be closed within 100 ms of the OSSD outputs going from on to off.

Refer to [Initial Electrical Connections](#) on page 21 for wiring. Connect the monitor contacts between +24 V dc and EDM (pin 3).

No Monitoring: Use this configuration to perform the initial checkout; see [Initial Checkout Procedure](#) on page 22. *If the application does not require the EDM function, it is the user's responsibility to ensure that this configuration does not create a hazardous situation.*

To configure the SGS Safety Grid System for no monitoring, see [System Configuration Settings](#) on page 33.



WARNING:

- **Retrofit of 2-channel EDM Installations. If there are any questions concerning retrofit installations, contact Banner Engineering.**
- If the required wiring changes are not made, the device connected to pin 2 (Orn/Blk) will not be monitored and could result in undetected faults and create an unsafe condition, which could result in serious bodily injury or death.
- In existing installations using 2-channel external device monitoring (default setting of EZ-SCREEN), rewire the parallel wiring of the N.C. monitoring contacts for the series connection used for 1-channel EDM.

4.4.5 Preparing for System Operation

After the initial trip test has been accomplished, and the OSSD safety outputs and EDM connections have been made to the machine to be controlled, the SGS is ready for testing in combination with the guarded machine.

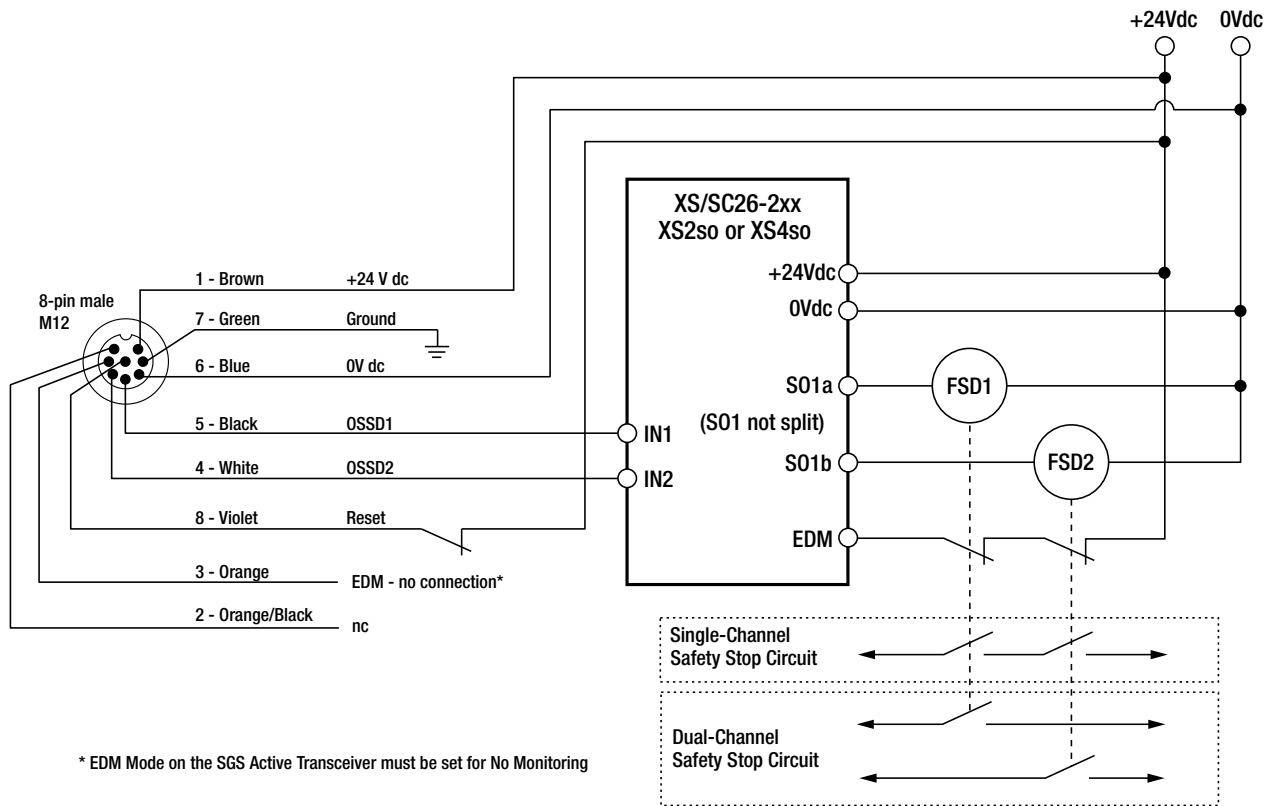
The operation of the SGS with the guarded machine must be verified before the combined System and machine may be put into service. To do this, a Qualified Person must perform the Commissioning Checkout Procedure.

4.5 Wiring Diagrams

4.5.1 Reference Wiring Diagrams

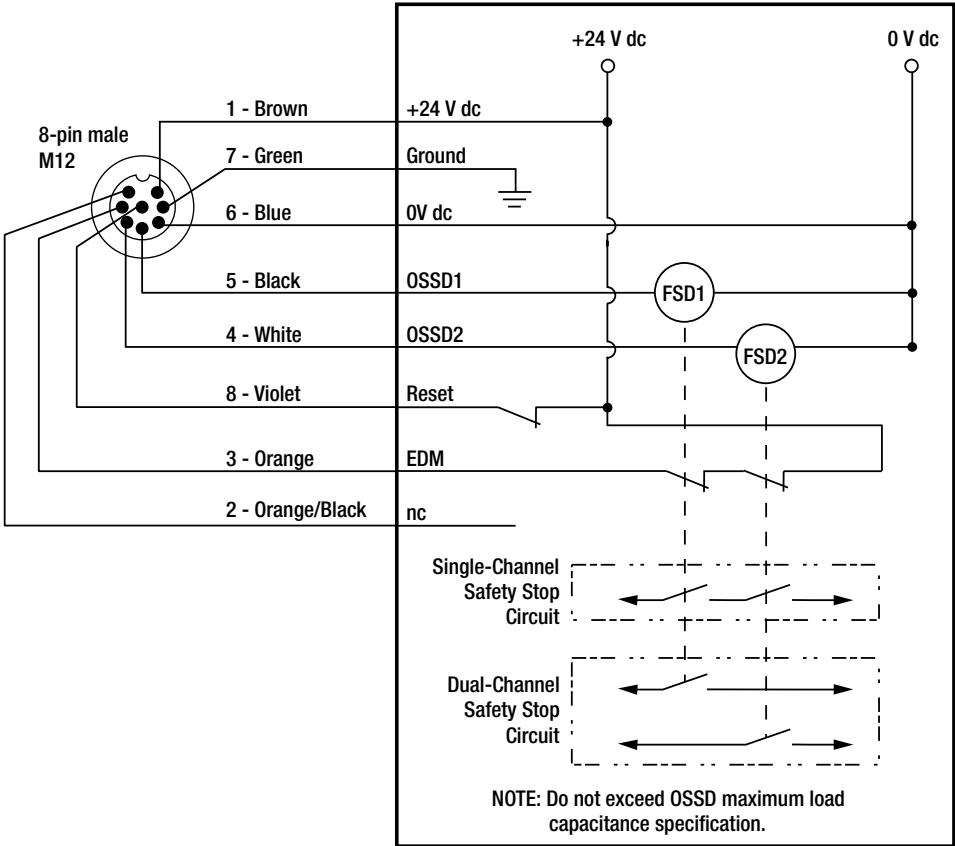
Other interfacing modules and solutions are available, see [Accessories](#) on page 43 and www.bannerengineering.com.

4.5.2 Generic Wiring for an Active Transceiver and Safety Module/Controller or Safety PLC/PES

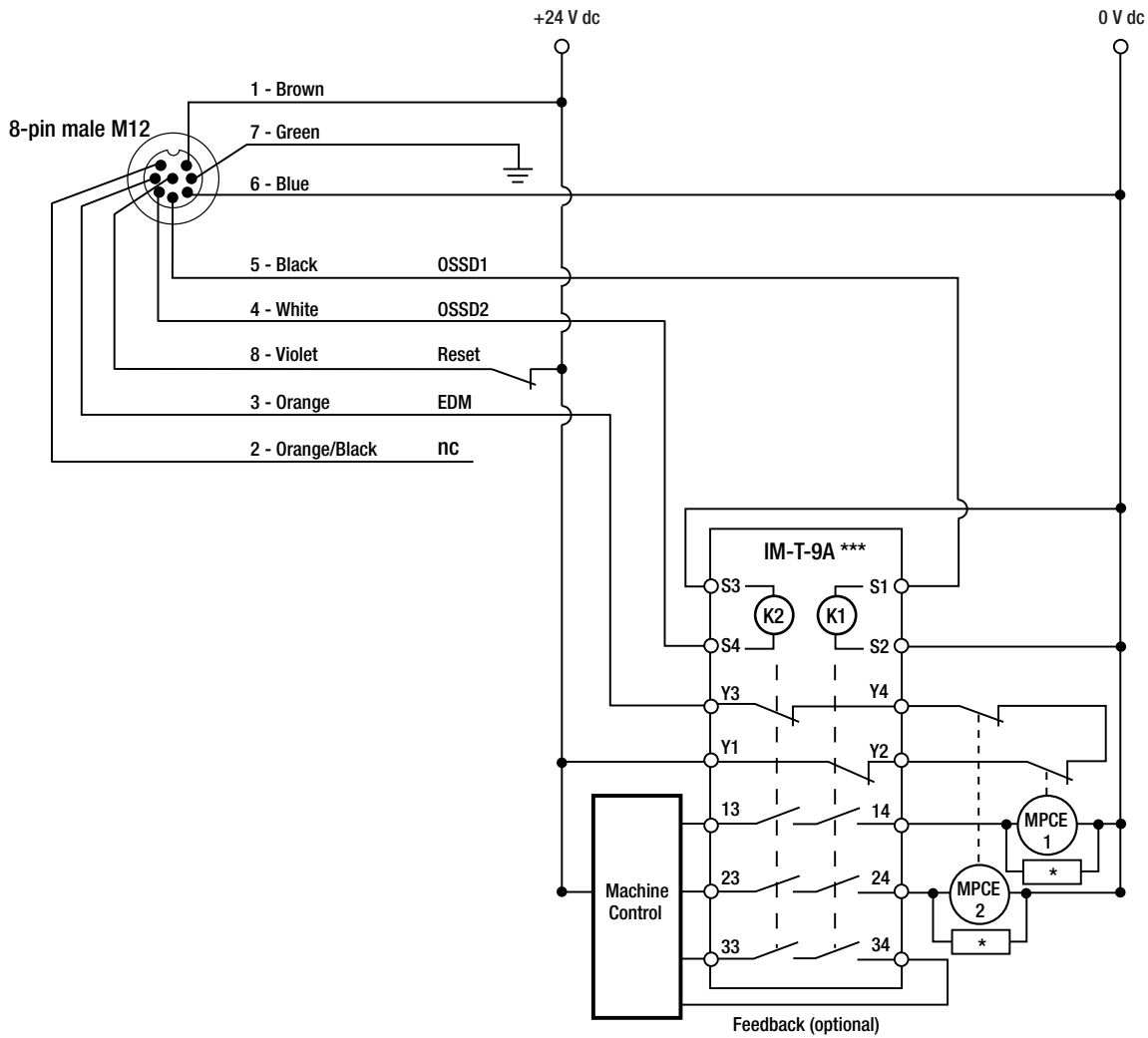


Note: Refer to the XS/SC26-2 Instruction Manual (p/n 174868) for complete installation instructions.

4.5.3 Generic Wiring for a Active Transceiver and Redundant FSD



4.5.4 Generic Wiring for a Active Transceiver and IM-T-9A Interface Module



*** Other

interfacing modules and solutions available. See the Banner Engineering catalog or website for more information.



Note: See the IM-T-..A module datasheet (p/n [62822](#)) for complete installation instructions.



WARNING: Use of Transient Suppressors

If transient suppressors are used, they **MUST** be installed across the coils of the machine control elements. **NEVER** install suppressors directly across the contacts of the IM-T-..A Module. It is possible for suppressors to fail as a short circuit. If installed directly across the contacts of the IM-T-..A Module, a short-circuit suppressor creates an unsafe condition. **Failure to follow these instructions could result in serious injury or death.**

5 System Operation

5.1 Security Protocol

Certain procedures for installing, maintaining, and operating the SGS must be performed by either Designated Persons or Qualified Persons.

A **Designated Person** is identified and designated in writing, by the employer, as being appropriately trained and qualified to perform system resets and the specified checkout procedures on the SGS. The Designated Person is empowered to:

- Perform manual resets and hold possession of the reset key
- Perform the Daily Checkout Procedure

A **Qualified Person**, by possession of a recognized degree or certificate of professional training, or by extensive knowledge, training, and experience, has successfully demonstrated the ability to solve problems relating to the installation of the SGS System and its integration with the guarded machine. In addition to everything for which the Designated Person is empowered, the Qualified Person is empowered to:

- Install the SGS System
- Perform all checkout procedures
- Make changes to the internal configuration settings
- Reset the System following a Lockout condition

5.2 System Configuration Settings

There is a configuration panel on the top of the active transceiver. Do not lose the gasket under the white cover. Installing the cover without the gasket lowers the environmental rating.

To change the configuration settings:

1. Remove power from the device.
2. Unscrew the plastic cover from the top of the unit.
3. Make the desired changes on the configuration panel.
4. Reinstall the plastic cover and gasket to maintain NEMA/IP ratings.

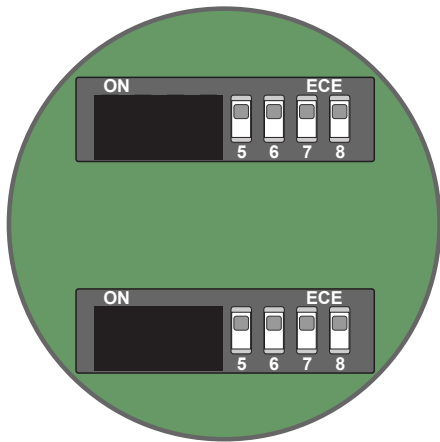


Figure 13. DIP Switches

Active Transceiver Settings	DIP Switches	
	5	6
Manual start/restart Output Mode	ON	
Auto start/restart Output Mode	OFF	
EDM Mode: Monitoring via Pin 3 (orange wire)		ON
EDM Mode: No Monitoring		OFF

The DIP switches are in the ON position (default position) when the switch is away from the numbers and in the OFF position when the switch is toward the numbers.

If **Automatic Start/Restart** (Trip Output) is selected, the OSSD outputs turn on after power is applied, and the active transceiver passes its internal self-test/ synchronization and recognizes that all beams are clear. The OSSD outputs also turn on after all beams are cleared following a blocked beam.

If **Manual Start/Restart** (Latch Output) is selected, the SGS requires a manual reset for the OSSD outputs to turn on when power is applied and all beams are clear or after a blocked beam has been cleared.

5.3 Reset Procedures

Perform system resets using an external reset switch.

Mount the reset switch outside the guarded area and not within reach from within the guarded area. Its location should provide a clear view of the entire safeguarded area. If any hazardous areas are not in view from the switch location, additional means of safeguarding must be provided. Protect the switch protected from accidental or unintended actuation (for example, through the use of rings or guards).

If supervisory control of the reset switch is required, a key switch may be used, with the key kept in the possession of a Designated or Qualified Person. Using a key switch provides some level of personal control, since the key may be removed from the switch. This hinders a reset while the key is under the control of an individual, but must not be relied upon solely to guard against accidental or unauthorized reset. Spare keys in the possession of others or additional personnel entering the safeguarded area unnoticed may create a hazardous situation.

Receiver manual resets are required in the following situations:

- Automatic Start/Restart—Only after certain lockouts
- Manual Start/Restart—At power-up, after each block condition is cleared, or after a lockout

5.3.1 Reset the Receiver or Active Transceiver After a Lockout

Follow these reset instructions to return the SGS receiver or active transceiver to its active state.

Use this reset procedure to reset the receiver or active transceiver from the following lockout conditions:

- Output Fault
 - Optic Fault
 - EDM Fault
 - Lamp Fault
1. Correct the condition that caused the lockout
 2. Hold the reset line open for a minimum of 5 seconds.
 3. If the fault is not cleared, turn off the power for 10 seconds, then turn the power back on.

5.3.2 Reset in Manual Start/Restart Mode

Follow these steps to reset your SGS Safety Grid System in Manual Start/Restart mode at startup or after a lockout.

1. Clear all beams from the condition that caused the lockout.
If you are starting your SGS, ignore this step.
2. Hold the reset line open for a minimum of 0.5 seconds.
3. Close the reset line.
The reset cycle is complete.

5.4 Normal Operation

5.4.1 System Power-Up

When power is applied, the active transceiver conducts self-tests to detect critical internal faults, determine configuration settings, and prepare the SGS for operation.

If the active transceiver detects a critical fault, scanning ceases, the active transceiver outputs remain off, and diagnostic information displays on the sensor's Diagnostic Display.

If no faults are detected, the SGS active transceiver enters Run mode and if it is aligned with a mirror assembly, it begins scanning to determine the status (blocked or clear) of each couple.

5.4.2 Run Mode

If either couple becomes blocked when the SGS is running, the active transceiver outputs turn Off within the stated SGS response time (see [Specifications](#) on page 41). If all the beams then become clear, the active transceiver outputs come back On. No resets are needed if the SGS is in Auto Start/Restart mode. If the system is in Manual Start/Restart mode, manually reset the system. All required machine control resets are provided by the machine control circuit.

Internal Faults (Lockouts): If the active transceiver detects a critical fault, scanning ceases, the active transceiver outputs turn off, and diagnostic information displays on the sensor's Diagnostic Display. See [Lockout Conditions](#) on page 37 for resolution of error/fault conditions.

5.5 Periodic Checkout Requirements

To ensure continued reliable operation, the System must be checked out periodically.

At every shift change, power-up, and machine setup change, the Daily Checkout should be performed; this checkout may be performed by a Designated or Qualified Person.

Semi-annually, the System and its interface to the guarded machine should be thoroughly checked out; this checkout must be performed by a Qualified Person (see [Checkout Procedures](#) on page 39). A copy of these test results should be posted on or near the machine.

Whenever changes are made to the System (either a new configuration of the SGS System or changes to the machine), perform the Commissioning Checkout.



Note: Verify Proper Operation

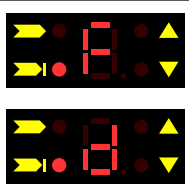
The SGS can operate as it is designed only if it and the guarded machine are operating properly, both separately and together. It is the user's responsibility to verify this, on a regular basis, as instructed in [Checkout Procedures](#) on page 39. Failure to correct such problems can result in an increased risk of harm.

Before the System is put back into service, verify that the SGS System and the guarded machine perform exactly as outlined in the checkout procedures and any problem(s) are found and corrected.

6 Troubleshooting and Maintenance

6.1 Error Codes

Active Transceiver Error Codes			
Display	Status	Description	User Action
	latched	beams clear	Activate the reset line to turn the outputs on
	outputs off	beams blocked, OSSDs are off in manual reset mode	Clear the beam path before resetting the device
	normal operation	OSSDs on	
	outputs off	beams blocked, OSSDs are off in auto reset mode	
		EDM function active	
		EDM function not active	
 	failure lockout (recoverable)	failure on one or both OSSDs, OSSDs off	Activate reset line. If the SGS does not reset, contact the factory for technical support.
 	failure lockout (not recoverable)	microcontroller failure, OSSDs off	Turn off/on SGS. If the problem persists, contact the factory for technical support.
 	failure lockout (recoverable)	optical failure, OSSDs off	Activate reset line. If the SGS does not reset, contact the factory for technical support.
 	failure lockout (recoverable)	EDM failure, OSSDs off	Check EDM enable line or DIP switches, EDM line, external switching device, and activate reset line. If the SGS does not reset, contact the factory for technical support.
	SGS off	power supply failure, OSSDs off	Check the power supply connection. If the problem persists, contact the factory for technical support.

Active Transceiver Error Codes			
Display	Status	Description	User Action
	FAILURE LOCKOUT (recoverable)	DIP switch failure, OSSDs OFF	Check the DIP-switch configuration and turn OFF/ON the SGS. If the problem persists, contact the factory for technical support.

6.2 Lockout Conditions

A Lockout condition causes all of the SGS OSSD outputs to turn or remain Off, sending a stop signal to the guarded machine. Each sensor provides diagnostic error codes to assist in the identification of the cause(s) of lockouts (see [Error Codes](#) on page 36).

Active Transceiver Lockout Conditions	
Green Status indicator	Off
Red Status indicator	On
Beam indicators	Off
Diagnostic display	Error code

6.3 Recovery Procedure

To recover from a lockout condition, follow these steps.



WARNING: Shut Down Machinery Before Servicing

The machinery to which the Banner device is connected **must not be operating at any time during major service or maintenance**. This may require lockout/tagout procedures (refer to OSHA1910.147, ANSI Z244-1, ISO 14118 or the appropriate standard for controlling hazardous energy). **Servicing the Banner device while the hazardous machinery is operational could result in serious injury or death.**



WARNING: Lockouts and Power Failures

Power failures and Lockout conditions are indication of a problem and must be investigated immediately by a Qualified Person⁵. **Attempts to continue to operate machinery by bypassing the Banner device or other safeguards is dangerous and could result in serious injury or death.**

1. Correct all errors.
2. If the lockout is non-recoverable:
 - a) Remove power from the sensor and wait a few seconds.
 - b) Apply power to the sensor.
3. If the lockout is recoverable: Hold the reset line open for 5 seconds, then release it.
After a few seconds, the SGS performs a self check. If all faults are cleared, the SGS resumes functioning.

6.4 Electrical and Optical Noise

The SGS is designed and manufactured to be highly resistant to electrical and optical noise and to operate reliably in industrial settings. However, serious electrical and/or optical noise may cause a random Trip. In very extreme electrical noise cases, a Lockout is possible. To minimize the effects of transitory noise, the SGS dual scan technology responds to noise only if the noise is detected on multiple consecutive scans.

If random nuisance Trips occur, check the following:

⁵ A person who, by possession of a recognized degree or certificate of professional training, or who, by extensive knowledge, training and experience, has successfully demonstrated the ability to solve problems relating to the subject matter and work.

- Poor connection between the sensor and earth ground
- Optical interference from adjacent light screens or other photoelectrics
- Sensor input or output wires routed too close to noisy wiring

6.4.1 Checking for Sources of Electrical Noise

It is important that the light screen sensors have a good earth ground. Without this, the System can act like an antenna and random Trips and Lockouts can occur.

All SGS wiring is low voltage; running these wires alongside power wires, motor/servo wires, or other high-voltage wiring can inject noise into the SGS System. It is good wiring practice (and may be required by code) to isolate SGS wires from high-voltage wires.

1. Use the Banner model BT-1 Beam Tracker Alignment Aid (see [Accessories](#) on page 43) to detect electrical transient spikes and surges.
2. Cover the lens of the BT-1 with electrical tape to block optical light from entering the receiver lens.
3. Press the RCV button on the BT-1 and position the Beam Tracker on the wires going to the SGS or any other nearby wires.
4. Install proper transient suppression across the load to reduce the noise.

6.4.2 Check for Optical Noise Sources

To check for optical noise sources, follow these steps.

1. Completely block the emitter portion of a couple (on a two-beam system, the emitting side of the couple is near the top of the housing, opposite the QD; for multiple couple systems, the emitter portions of each couple are toward the center of the housing).
2. Use a Banner BT-1 Beam Tracker (see [Accessories](#) on page 43) to check for light at the receiver portion of a couple (on a two-beam system, the receiving side is near the QD; for multiple couple systems, the receivers are near the end caps)..
3. Press the RCV button on the BT-1 and move around near the end caps of the unit.
4. If the BT-1's indicator lights up, check for emitted light from other sources (other safety light screens, grids or points, or standard photoelectric sensors).

6.5 Cleaning

SGS components are constructed of aluminum with a yellow painted finish and are rated IEC IP65. Lens covers are acrylic. Components are best cleaned using mild detergent or window cleaner and a soft cloth. Avoid cleaners containing alcohol, as they may damage the acrylic lens covers.

6.6 Warranty Service

Contact Banner Engineering for troubleshooting of this device. **Do not attempt any repairs to this Banner device; it contains no field-replaceable parts or components.** If the device, device part, or device component is determined to be defective by a Banner Applications Engineer, they will advise you of Banner's RMA (Return Merchandise Authorization) procedure.



Important: If instructed to return the device, pack it with care. Damage that occurs in return shipping is not covered by warranty.

6.7 Disposal

Devices that are no longer in use should be disposed of according to the applicable national and local regulations.

7 Checkout Procedures

This section lists the schedule of checkout procedures and describes where each procedure is documented. Checkouts must be performed as described. Results should be recorded and kept in the appropriate place (for example, near the machine, and/or in a technical file).

7.1 Checkout Procedures Schedule

Checkout cards and this manual can be downloaded at <http://www.bannerengineering.com>.

Checkout Procedure	When to Perform	Where to Find the Procedure	Who Must Perform the Procedure
Trip Test	At Installation Any time the System, the guarded machine, or any part of the application is altered.	<i>Conduct a Trip Test</i> on page 25	Qualified Person
Commissioning Checkout	At Installation When changes are made to the System (for example, either a new configuration of the SGS or changes to the guarded machine).	<i>Perform a Commissioning Checkout</i> on page 39	Qualified Person
Shift/Daily Checkout	At each shift change Machine setup change After the System is powered up During continuous machine run periods, perform this checkout at intervals not to exceed 24 hours.	Daily Checkout Card (Banner p/n 203641) Record a copy of the checkout results and keep it in the appropriate place (for example, near or on the machine, or in the machine's technical file).	Designated Person or Qualified Person
Semi-Annual Checkout	Every six months following the System's installation, or after changes are made to the System (either a new configuration of the SGS or changes to the machine).	Semi-Annual Checkout Card (Banner p/n 203642) Record a copy of the checkout results and keep it in the appropriate place (for example, near or on the machine, or in the machine's technical file).	Qualified Person

7.2 Perform a Commissioning Checkout

Perform a commissioning checkout as part of the System installation after the System has been interfaced to the guarded machine, or after changes are made to the System (either a new configuration of the SGS or changes to the machine). A Qualified Person must perform the procedure. Checkout results should be recorded and kept on or near the guarded machine as required by applicable standards.



WARNING: Do Not Use Machine Until System Is Working Properly

If all of these checks cannot be verified, do not attempt to use the safety system that includes the Banner device and the guarded machine until the defect or problem has been corrected. **Attempts to use the guarded machine under such conditions could result in serious injury or death.**

1. Examine the guarded machine to verify that it is of a type and design compatible with the SGS System. See [Examples: Inappropriate Applications](#) on page 8 for a list of misapplications.
2. Verify the SGS is configured for the intended application.
3. Verify the safety distance (minimum distance) from the closest danger point of the guarded machine to the sensing field is not less than the calculated distance, per [Mechanical Installation](#) on page 11.
4. Verify:
 - a) Access to any dangerous parts of the guarded machine is not possible from any direction not protected by the SGS System, hard (fixed) guarding, or supplemental safeguarding, and
 - b) It is not possible for a person to stand between the sensing field and the dangerous parts of the machine, or
 - c) Supplemental safeguarding and hard (fixed) guarding, as described by the appropriate safety standards, are in place and functioning properly in any space (between the sensing field and any hazard) which is large enough to allow a person to stand undetected by the SGS.
5. Verify all reset switches are mounted outside and in full view of the guarded area, out of reach of anyone inside the guarded area, and that means of preventing inadvertent use is in place.
6. Examine the electrical wiring connections between the SGS OSSD outputs and the guarded machine's control elements to verify that the wiring meets the requirements stated in [Electrical Connections to the Guarded Machine](#) on page 26.

7. Inspect the area near the sensing field (including work pieces and the guarded machine) for reflective surfaces (see [Adjacent Reflective Surfaces](#) on page 15). Remove the reflective surfaces if possible by relocating them, painting, masking or roughening them. Remaining problem reflections will become apparent during the Trip Test.
8. Verify power to the guarded machine is Off. Remove all obstructions from the sensing field. Apply power to the SGS System.
9. Observe the Status indicators and Diagnostic Display:
 - **Lockout:** Error code on display
 - **Blocked:** Red Status indicator is on
 - **Clear:** Green Status is on
10. A Blocked condition indicates that one or more of the beams is misaligned or interrupted. See the Alignment procedure in to correct this situation.
11. After the green Status indicator is on, conduct a trip test on each sensing field to verify proper System operation and to detect possible optical short circuits or reflection problems. **Do not continue until the SGS passes the trip test.**



Important: Do not expose any individual to any hazard during the following checks.



WARNING: Before Applying Power to the Machine

Verify that the guarded area is clear of personnel and unwanted materials (such as tools) before applying power to the guarded machine. **Failure to follow these instructions could result in serious injury or death.**

12. Apply power to the guarded machine and verify the machine does not start up.
13. Interrupt (block) the sensing field with a 60 mm, opaque, cylindrical test piece (not supplied) and verify it is not possible for the guarded machine to be put into motion while the beam(s) is blocked.
14. Initiate machine motion of the guarded machine and, while it is moving, use the test piece to block a beam. Do not attempt to insert the test piece into the dangerous parts of the machine.
Upon blocking any beam, the dangerous parts of the machine must come to a stop with no apparent delay.
15. Remove the test piece from the beam. Verify the machine does not automatically restart and the initiation devices must be engaged to restart the machine.
16. Remove electrical power to the SGS.
Both OSSD outputs should immediately turn Off, and the machine must not be capable of starting until power is re-applied to the SGS.
17. Test the machine stopping response time, using an instrument designed for that purpose, to verify it is the same or less than the overall system response time specified by the machine manufacturer. A Banner Applications Engineer can recommend a suitable instrument.

Do not continue operation until the entire checkout procedure is complete and all problems are corrected.

8 Specifications

8.1 General Specifications

Electrical

Supply Voltage

24 V dc \pm 20% (At a minimum, use a SELV-rated power supply according to EN IEC 60950. Depending on the installation, a Class 2 low-voltage power supply and circuit as described by NFPA 70 may be required.)

Power Consumption

Active Transceiver: 6.5 W maximum (without load)

Pollution Degree

2

Outputs Signal Switching Devices (OSSDs)

2 PNP
Short-circuit protection (1.4 A at 55 °C)
Maximum output current: 0.5 A maximum per output
On-state voltage: Power supply value less 1 V dc
Off-state voltage: 0.2 V dc maximum (no load)
Maximum load capacitance: 2.2 μ F at 24 V dc

Safety Category

Type 4 (per EN 61496-1)
SIL 3 (per EN 61508)
SIL CL 3 (per EN 62061)
PLe and Cat. 4 (per EN ISO 13849-1)
PFHd 1.10×10^{-8}
Proof Test Interval: 20 years

Electrical Protection

Class III (per IEC 61140)

Response Time

11 or 12 ms (depending on model)

Protected Height

500 mm to 1200 mm (varies by model)

Auxiliary Functions

Reset, Restart selection, Alignment, EDM

Connections

8-pin M12 quick disconnect
Power supply cable length: 70 m maximum

Optical

Light Source

Infrared LED (950 nm wavelength)

Operating Distance

0.5 m to 6.5 m or 8 m (depending on model)

Ambient Light Rejection

IEC 61496-2

Optic Beams

Varies by model: 2, 3, or 4

Beam Spacing

Varies by model: 300 mm, 400 mm, or 500 mm

Effective Aperture Angle (EAA)

Meets Type 4 requirements per IEC 61496-2, Section 5.2.9

Mechanical and Environmental

Connections

M12

Construction

Housing: Painted aluminium (yellow RAL 1003)
Caps: PBT Valox 508 (pantone 072-CVC)
Front glass: PMMA

Environmental Rating

IEC IP65 (EN 60529)

Vibration and Shock

0.35 mm width, 10...55 Hz frequency, 20 sweep for each axis, 1 octave/min (EN 60068-2-6)
16 ms (10g) 1.000 shock for each axis (EN 60068-2-29)

Environmental Conditions

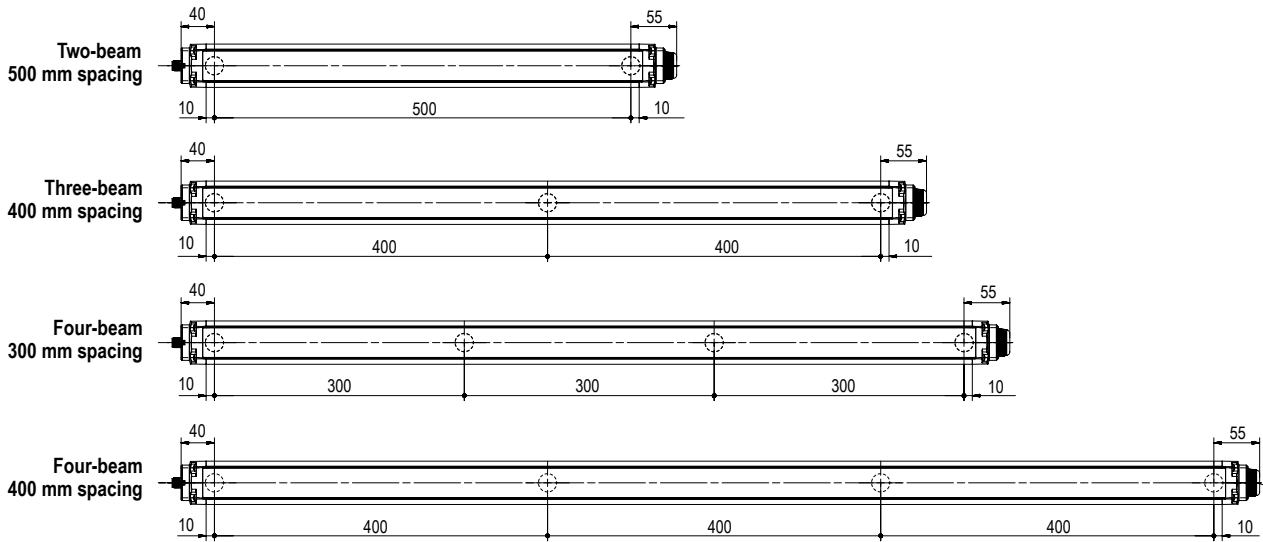
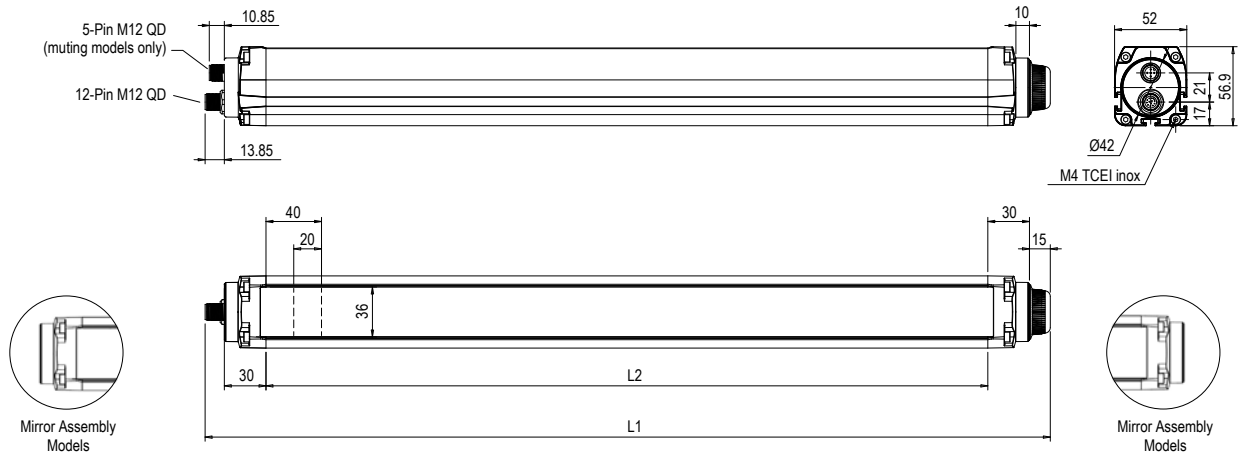
Operating: 0 °C to +55 °C (+32 °F to +131 °F)
Storage: -25 °C to +70 °C (-13 °F to +158 °F)
Temperature Class: T6
15% to 95% (non-condensing) relative humidity

Certifications



8.2 Dimensions

SGS Safety Grid System (Active/Passive Models)



Models	L1 (mm)	L2 (mm)
Active Transceiver		
SGSxA2-500Q8	606.35	520.5
SGSxA3-400Q8	906.35	820.5
SGSxA4-300Q8	1006.35	920.5
SGSxA4-400Q8	1306.35	1220.5
Mirror Assembly		
SGSB2-500	580.5	520.5
SGSB3-400	880.5	820.5
SGSB4-300	980.5	920.5
SGSB4-400	1280.5	1220.5

9 Accessories

9.1 Bracket and Test Piece

Model	Description
STP-15	60 mm test piece (60 mm resolution systems)
SGSA-MBK-10-4	End-cap bracket kit (includes 4 end brackets and hardware); 360° sensor rotation possible

9.2 Cordsets

Machine interface cordsets provide power to the active transceiver. Cordsets typically have yellow PVC cables and black overmolds.

Single-ended (to connect to the machine interface)— **QDE-8..D** QD-to-flying lead is used with sensors with a 8-pin M12 QD (model ends in Q8).

9.2.1 Single-Ended (Machine Interface) Cables

Typically you use one cordset for the active transceiver.

QDEG-8..D 8-pin M12/Euro-style QD to flying lead cordsets—This cordset has a M12 QD connector on one end and is unterminated (cut to length) on the other end to interface with guarded machine. PVC jacketed overmold and cables.					
Model	Length	Banner Cordset Pinout/Color Code			M12 Connector (female face view)
		Pin	Color	Transceiver Function	
QDEG-815D	4.5 m (15 ft)				
QDEG-825D	7.6 m (25 ft)	1	Brown	+24 V dc	
QDEG-850D	15.2 m (50 ft)	2	Or/Bk	no connection	
QDEG-875D	22.8 m (75 ft)	3	Orange	EDM	
QDEG-8100D	30.4 m (100 ft)	4	White	OSSD2	
		5	Black	OSSD1	
		6	Blue	0 V dc	
		7	Gn	Ground/Chassis	
		8	Violet	Reset	

9.2.2 Double-Ended (Sensor Interconnect) Cordsets

DEE2R-8..D 8-pin M12 QD to M12 QD (female-male) cordsets—Use the DEE2R-8... cordsets to extend the length of cordsets and directly connect to other devices with an 8-pin M12 disconnect. Other lengths are available.

Model	Length	Banner Cordset Pinout/Color Code		M12 Connector (female face view)
DEE2R-81D	0.3 m (1 ft)	Pin	Transceiver Function	
DEE2R-83D	0.9 m (3 ft)	1	+24 V dc	
DEE2R-88D	2.5 m (8 ft)	2	no connection	
DEE2R-812D	3.6 m (12 ft)	3	EDM	
DEE2R-815D	4.6 m (15 ft)	4	OSSD2	
DEE2R-825D	7.6 m (25 ft)	5	OSSD1	
DEE2R-830D	9.1 m (30 ft)	6	0 V dc	
DEE2R-850D	15.2 m (50 ft)	7	Ground/Chassis	
DEE2R-875D	22.9 m (75 ft)	8	Reset	
DEE2R-8100D	30.5 m (100 ft)			

9.2.3 Splitter Cordsets

Model CSB splitter cordsets allow easy interconnection between an SGS active transceiver and an 8 pin EZ Light indicator noted in [Accessories](#) on page 43. The model DEE2R-.. double-ended cables may be used to extend the lengths of the QD trunk, branch #1, or branch #2. Branch #1 and branch #2 cable sections are 300 mm (11.8 in) long. The model QDE-8..D single-ended cables may be used to extend the QD trunk for cut-to-length applications.

8-Pin Threaded M12/Euro-Style Splitter Cordsets—Flat Junction

Model	Trunk (Male)	Branches (Female)	Pinout
CSB-M1280M1280	No trunk	No branches	Male
CSB-M1281M1281	0.3 m (1 ft)	2 x 0.3 m (1 ft)	
CSB-M1288M1281	2.44 m (8 ft)		
CSB-M12815M1281	4.57 m (15 ft)		
CSB-M12825M1281	7.62 m (25 ft)		

Female

1 = Brown
 2 = Or/Bk
 3 = Orange
 4 = White
 5 = Black
 6 = Blue
 7 = Gn
 8 = Violet

9.2.4 Bulkhead Connector

Connector for panel connection of SGS component cables.

Model	Connection	Dimensions
PMEF-810D	8-pin Euro-style female connector 3 m (10 ft) wires, cut to length (Banner color code); 22 AWG/0.33 mm ²	

9.3 Universal (Input) Safety Modules

UM-FA-xA Safety Modules provide forced-guided, mechanically-linked relay (safety) outputs for the SGS system when an external manual reset (latch) is desired by the application. See datasheet p/n [141249](#) for more information.

Model	Description
UM-FA-9A	3 normally open (N.O.) redundant-output 6 amp contacts
UM-FA-11A	2 normally open (N.O.) redundant-output 6 amp contacts, plus 1 normally closed (N.C.) auxiliary contact

9.4 Safety Controllers

Safety Controllers provide a fully configurable, software-based safety logic solution for monitoring safety and non-safety devices. For additional models and XS26 expansion modules, see instruction manuals p/n [174868](#) (XS/SC26-2) and [133487](#) (SC22-3).

Non-Expandable Models	Expandable Models	Description
SC26-2	XS26-2	26 convertible I/O and 2 Redundant Solid State Safety Outputs
SC26-2d	XS26-2d	26 convertible I/O and 2 Redundant Solid State Safety Outputs with Display
SC26-2e	XS26-2e	26 convertible I/O and 2 Redundant Solid State Safety Outputs with Ethernet
SC26-2de	XS26-2de	26 convertible I/O and 2 Redundant Solid State Safety Outputs with Display and Ethernet

Model	Description
SC22-3-S	22 safety inputs, 10 Auxiliary Outputs, 3 Redundant Solid State safety Outputs with display
SC22-3-SU1	22 safety inputs, 10 Auxiliary Outputs, 3 Redundant Solid State safety Outputs with display (includes programming tool and USB cable)
SC22-3E-S	22 safety inputs, 10 Auxiliary Outputs, 3 Redundant Solid State safety Outputs with display and Ethernet
SC22-3E-SU1	22 safety inputs, 10 Auxiliary Outputs, 3 Redundant Solid State safety Outputs with display and Ethernet (includes programming tool and USB cable)

9.5 Interface Modules

IM-T-..A interface modules provide forced-guided, mechanically-linked relay (safety) outputs for the SGS system with the EDM function selected. The IM-T-..A interface module is required to be monitored by the EDM function. See Banner datasheet p/n [62822](#) for more information.


Model	Description
IM-T-9A	Interface module, 3 normally open (N.O.) redundant-output 6 amp contacts
IM-T-11A	Interface module, 2 normally open (N.O.) redundant-output 6 amp contacts, plus 1 normally closed (N.C.) auxiliary contact

9.6 Contactors

If used, two contactors per SGS system that are monitored by the EDM circuit are required. See Banner datasheet p/n [111881](#) for more information.

Model	Description
11-BG00-31-D-024	10 amp positive-guided contactor, 3 N.O., 1 N.C.
BF1801L024	18 amp positive-guided contactor, 3 N.O., 1 N.C. (N.C. contact rated at 10 amps)

9.7 Alignment Aids

Model	Description	
LAT-1-SGS	Self-contained visible-beam laser tool for aligning the SGS system components. Includes retroreflective target material and mounting clip.	
SGSA-LAT-1	Replacement adaptor (clip) hardware for SGS models	
BRT-THG-2-100	2 inch retroreflective tape, 100 ft	
BT-1	Beam Tracker	





9.8 EZ-LIGHTS® for SGS

Provides clear, 360° indication of the of the SGS active transceiver's output status. EZ-LIGHT or other means of indication must draw less than 100 mA at 24 V dc.





Figure 14. SGS with M18 EZ-LIGHT

Active Transceivers (SGSSA-....Q88)—Use with a CSB-M128..M1281 splitter cable and optional DEE2R-8..D double-ended cables. Use only EZ-LIGHT models with the suffix "8PQ8" when connecting to the machine interface connection. See datasheet p/n [121901](#) for more information.

Models	Construction	Connector/LED Function/Inputs
 <p>M18RGX8PQ8 ⁶</p>	<p>Nickel-plated brass housing, M18 × 1 thread; thermoplastic lens Fully encapsulated IP67</p>	<p>8-pin M12/Euro-style Integral QD Red/green indication follows OSSD output of the SGS receiver Red ON: Power ON, Beam Blocked, or Lockout Green ON: Power ON or Beam Clear</p>
 <p>T18RGX8PQ8</p>	<p>Thermoplastic polyester housing, thermoplastic lens Fully encapsulated IP67</p>	
 <p>T30RGX8PQ8</p>		
 <p>K30LRGX8PQ8</p>	<p>Polycarbonate housing, 30 mm thermoplastic dome, 22 mm base mount Fully encapsulated, IP67</p>	

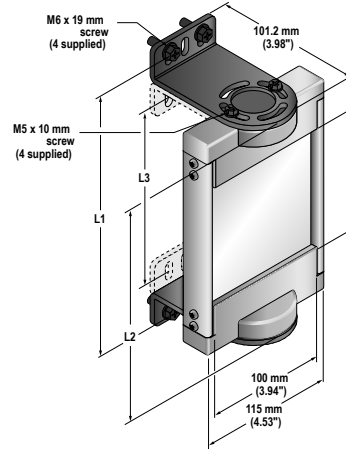
⁶ Available in a kit that includes one M18 EZ-LIGHT, one SMB18A mounting bracket, and hardware for mounting to the side channel of an SGS housing (kit model number **EZA-M18RGX8PQ8**).

Active Transceivers (SGSSA-...Q88)—Use with a CSB-M128..M1281 splitter cable and optional DEE2R-8..D double-ended cables. Use only EZ-LIGHT models with the suffix "8PQ8" when connecting to the machine interface connection. See datasheet p/n 121901 for more information.

Models	Construction	Connector/LED Function/Inputs
 K50LRGX8PQ8	Polycarbonate housing, 50 mm thermoplastic dome, 30 mm base mount Fully encapsulated, IP67	
 K80LRGX8PQ8	Polycarbonate housing, 50 mm thermoplastic dome, flat or DIN mount Encapsulated electronics, IP67	

9.9 SSM Series Corner Mirrors

- Robust for heavy-duty applications
- Extra wide for use with long-range optical safety systems
- Rear-surface glass mirrors are rated at 85% efficiency. The total sensing range decreases by approximately 8% per mirror. See mirror datasheet p/n 61934 or www.bannerengineering.com for further information.
- Stainless steel reflective surface models are also available. See datasheet p/n 67200.
- Robust construction, two mounting brackets and hardware included.
- EZA-MBK-2 adapter bracket is required for use with MSA Series stand, refer to the mounting bracket accessories list.
- Brackets may be inverted from the positions shown, decreasing dimension L1 by 58 mm (2.3 in).



Banner Model Number	Fits Active Transceiver Model	Fits Mirror Assembly Model	Reflective Area Y	Mounting L1	Mounting L2
SSM-550	SGSSA2-500Q8	SGSB-500	550 mm (21.7")	661 mm (26.0")	628 mm (24.7")
SSM-975	SGSSA3-400Q8	SGSB3-400	975 mm (38.4")	1086 mm (42.8")	1053 mm (41.5")
	SGSSA4-300Q8	SGSB4-300			
SSM-1275	SGSSA4-400Q8	SGSB4-400	1275mm (47.2")	1386 mm (54.6")	1353 mm (53.3")

9.10 MSA Series Stands

- Provides mounting T-slots with 20 mm dimension between slots
- Base included. Available without a base by adding the suffix **NB** to the model number (for example, **MSA-S42-1NB**).

Stand Model	Pole Height	Useable Stand Height	Overall Stand Height
MSA-S24-1	610 mm (24 in)	483 mm (19 in)	616 mm (24.25 in)
MSA-S42-1	1067 mm (42 in)	940 mm (37 in)	1073 mm (42.25 in)
MSA-S66-1	1676 mm (66 in)	1550 mm (61 in)	1682 mm (66.25 in)
MSA-S84-1	2134 mm (84 in)	2007 mm (79 in)	2140 mm (84.25 in)
MSA-S105-1	2667 mm (105 in)	2667 mm (100 in)	2673 mm (105.25 in)

The diagram shows a vertical pole assembly. The pole is labeled 'Pole 40 mm (1.58") Square'. It is secured to a 'Base' plate with '(4) M10 Bolt'. A dimension line indicates a 'Useable Stand Height' from the top of the pole to the top of the base. Another dimension line shows a '6.4 mm (0.25")' offset from the base edge. The base plate has a square shape with rounded corners.



Note: Users are responsible to create their own conversion plate to convert the bracket's 36 mm spacing to the stand's 20 mm spacing.

10 Standards and Regulations

The list of standards below is included as a convenience for users of this Banner device. Inclusion of the standards below does not imply that the device complies specifically with any standard, other than those specified in the Specifications section of this manual.

10.1 Applicable U.S. Standards

ANSI B11.0 Safety of Machinery, General Requirements, and Risk Assessment	ANSI B11.15 Pipe, Tube, and Shape Bending Machines
ANSI B11.1 Mechanical Power Presses	ANSI B11.16 Metal Powder Compacting Presses
ANSI B11.2 Hydraulic Power Presses	ANSI B11.17 Horizontal Extrusion Presses
ANSI B11.3 Power Press Brakes	ANSI B11.18 Machinery and Machine Systems for the Processing of Coiled Strip, Sheet, and Plate
ANSI B11.4 Shears	ANSI B11.19 Performance Criteria for Safeguarding
ANSI B11.5 Iron Workers	ANSI B11.20 Manufacturing Systems
ANSI B11.6 Lathes	ANSI B11.21 Machine Tools Using Lasers
ANSI B11.7 Cold Headers and Cold Formers	ANSI B11.22 Numerically Controlled Turning Machines
ANSI B11.8 Drilling, Milling, and Boring	ANSI B11.23 Machining Centers
ANSI B11.9 Grinding Machines	ANSI B11.24 Transfer Machines
ANSI B11.10 Metal Sawing Machines	ANSI/RIA R15.06 Safety Requirements for Industrial Robots and Robot Systems
ANSI B11.11 Gear Cutting Machines	ANSI NFPA 79 Electrical Standard for Industrial Machinery
ANSI B11.12 Roll Forming and Roll Bending Machines	ANSI/PMMI B155.1 Package Machinery and Packaging-Related Converting Machinery — Safety Requirements
ANSI B11.13 Single- and Multiple-Spindle Automatic Bar and Chucking Machines	
ANSI B11.14 Coil Slitting Machines	

10.2 Applicable OSHA Regulations

OSHA Documents listed are part of: Code of Federal Regulations Title 29, Parts 1900 to 1910

OSHA 29 CFR 1910.212 General Requirements for (Guarding of) All Machines

OSHA 29 CFR 1910.147 The Control of Hazardous Energy (lockout/tagout)

OSHA 29 CFR 1910.217 (Guarding of) Mechanical Power Presses

10.3 International/European Standards

EN ISO 12100 Safety of Machinery – General Principles for Design – Risk Assessment and Risk Reduction

ISO 13857 Safety Distances . . . Upper and Lower Limbs

ISO 13850 (EN 418) Emergency Stop Devices, Functional Aspects – Principles for Design

EN 574 Two-Hand Control Devices – Functional Aspects – Principles for Design

IEC 62061 Functional Safety of Safety-Related Electrical, Electronic and Programmable Control Systems

EN ISO 13849-1 Safety-Related Parts of Control Systems

EN 13855 (EN 999) The Positioning of Protective Equipment in Respect to Approach Speeds of Parts of the Human Body

ISO 14119 (EN 1088) Interlocking Devices Associated with Guards – Principles for Design and Selection

EN 60204-1 Electrical Equipment of Machines Part 1: General Requirements

IEC 61496 Electro-sensitive Protection Equipment

IEC 60529 Degrees of Protection Provided by Enclosures

IEC 60947-1 Low Voltage Switchgear – General Rules

IEC 60947-5-1 Low Voltage Switchgear – Electromechanical Control Circuit Devices

IEC 60947-5-5 Low Voltage Switchgear – Electrical Emergency Stop Device with Mechanical Latching Function

IEC 61508 Functional Safety of Electrical/Electronic/Programmable Electronic Safety-Related Systems

11 Glossary

A

ANSI (American National Standards Institute)

Acronym for the American National Standards Institute, an association of industry representatives that develops technical standards (including safety standards). These standards comprise a consensus from a variety of industries on good practice and design. ANSI standards relevant to application of safety products include the ANSI B11 Series, and ANSI/RIA R15.06. See *Standards and Regulations* on page 50.

Auto Power-Up

A safety light screen system feature that enables the system to be powered up into Run mode (or recover from a power interruption) without requiring a manual reset.

Auto Start/Restart (Trip) Condition

The safety outputs of a safety light screen system turn off when an object completely blocks a beam. In an Auto Start/Restart condition, the safety outputs re-energize when the object is removed from the defined area.

Auto Start/Restart (Trip) Initiate

The resetting of a safeguard causing the initiation of machine motion or operation. Auto Start/Restart Initiate is not allowed as a means to initiate a machine cycle per NFPA 79 and ISO 60204-1, and is commonly confused with PSDI.

B

Blanking

A programmable feature of a safety light screen system which allows the light screen to ignore certain objects located within the defined area. See *Floating Blanking* and *Reduced Resolution*.

Blocked Condition

A condition that occurs when an opaque object of sufficient size blocks/interrupts one or more light screen beams. When a blocked condition occurs, OSSD1 and OSSD2 outputs simultaneously turn off within the system response time.

Brake

A mechanism for stopping, slowing, or preventing motion.

C

Cascade

Series connection (or "daisy-chaining") of multiple emitters and receivers.

CE

Abbreviation for "Conformité Européenne" (French translation of "European Conformity"). The CE mark on a product or machine establishes its compliance with all relevant European Union (EU) Directives and the associated safety standards.

Clutch

A mechanism that, when engaged, transmits torque to impart motion from a driving member to a driven member.

Control Reliability

A method of ensuring the performance integrity of a control system or device. Control circuits are designed and constructed so that a single failure or fault within the system does not prevent the normal stopping action from being applied to the machine when required, or does not create unintended machine action, but does prevent initiation of successive machine action until the failure is corrected.

CSA

Abbreviation for Canadian Standards Association, a testing agency similar to Underwriters Laboratories, Inc. (UL) in the United States. A CSA-certified product has been type-tested and approved by the Canadian Standards Association as meeting electrical and safety codes.

D

Defined Area

The "screen of light" generated by a safety light screen system, defined by the height and the safety distance (minimum distance) of the system.

Designated Person

A person or persons identified and designated in writing, by the employer, as being appropriately trained and qualified to perform a specified checkout procedure.

E

Emitter

The light-emitting component of a safety light screen system, consisting of a row of synchronized modulated LEDs. The emitter, together with the receiver (placed opposite), creates a "screen of light" called the defined area.

External Device Monitoring (EDM)

A means by which a safety device (such as a safety light screen) actively monitors the state (or status) of external devices that may be controlled by the safety device. A lockout of the safety device will result if an unsafe state is detected in the external device. External device(s) may include, but are not limited to: MPCEs, captive contact relays/contactors, and safety modules.

F

Failure to Danger

A failure which delays or prevents a machine safety system from arresting dangerous machine motion, thereby increasing risk to personnel.

Final Switching Device (FSD)

The component of the machine's safety-related control system that interrupts the circuit to the machine primary control element (MPCE) when the output signal switching device (OSSD) goes to the OFF-state.

FMEA (Failure Mode and Effects Analysis)

A testing procedure by which potential failure modes in a system are analyzed to determine their results or effects on the system. Component failure modes that produce either no effect or a Lockout condition are permitted; failures which cause an unsafe condition (a failure to danger) are not. Banner safety products are extensively FMEA tested.

G

Guarded Machine

The machine whose point of operation is guarded by the safety system.

H

Hard (Fixed) Guard

Screens, bars, or other mechanical barriers affixed to the frame of the machine intended to prevent entry by personnel into the hazardous area(s) of a machine, while allowing the point of operation to be viewed. The maximum size of the openings is determined by the applicable standard, such as Table O-10 of OSHA 29CFR1910.217, also called a "fixed barrier guard."

Harm

Physical injury or damage to the health of people, which may result through direct interaction with the machine or through indirect means, as a result of damage to property or to the environment.

Hazard Point

The closest reachable point of the hazardous area.

Hazardous Area

An area that poses an immediate or impending physical hazard.

I

Internal Lockout

A Lockout condition that is due to an internal safety system problem. Generally, indicated by the red Status indicator LED (only) flashing. Requires the attention of a Qualified Person.

K

Key Reset (Manual Reset)

A key-operated switch used to reset a safety light screen system to RUN mode following a Lockout condition. Also refers to the act of using the switch.

L

Lockout Condition

A safety light screen condition that is automatically attained in response to certain failure signals (an internal lockout). When a Lockout condition occurs, the safety light screen's safety outputs turn Off; the failure must be corrected and a manual reset is required to return the system to Run mode.

M

Machine Primary Control Element (MPCE)

An electrically powered element, external to the safety system, which directly controls the machine's normal operating motion in such a way that the element is last (in time) to operate when machine motion is either initiated or arrested.

Machine Response Time

The time between the activation of a machine stopping device and the instant when the dangerous parts of the machine reach a safe state by being brought to rest.

Manual Start/Restart (Latch) Condition

The safety outputs of a safety light screen system turn off when an object completely blocks a beam. In a Manual Start/Restart condition, the safety outputs stay off when the object is removed from the defined area. To re-energize the outputs, perform a proper manual reset.

Minimum Object Sensitivity (MOS)

The minimum-diameter object that a safety light screen system can reliably detect. Objects of this diameter or greater will be detected anywhere in the defined area. A smaller object can pass undetected through the light if it passes exactly midway between two adjacent light beams. Also known as MODS (Minimum Object Detection Size). See also *Specified Test Piece*.

Muting

The automatic suspension of the safeguarding function of a safety device during a non-hazardous portion of the machine cycle.

O

Off State

The state in which the output circuit is interrupted and does not permit the flow of current.

On State

The state in which the output circuit is complete and permits the flow of current.

OSHA (Occupational Safety and Health Administration)

A U.S. Federal agency, Division of the U.S. Department of Labor, that is responsible for the regulation of workplace safety.

OSSD

Output Signal Switching Device. The safety outputs that are used to initiate a stop signal.

P

Part-Revolution Clutch

A type of clutch that may be engaged or disengaged during the machine cycle. Part-revolution clutched machines use a clutch/brake mechanism, which can arrest machine motion at any point in the stroke or cycle.

Pass-Through Hazard

A pass-through hazard is associated with applications where personnel may pass through a safeguard (which issues a stop command to remove the hazard), and then continues into the guarded area, such as in perimeter guarding. Subsequently, their presence is no longer detected, and the related danger becomes the unexpected start or restart of the machine while personnel are within the guarded area.

Point of Operation

The location of a machine where material or a workpiece is positioned and a machine function is performed upon it.

PSDI (Presence-Sensing Device Initiation)

An application in which a presence-sensing device is used to actually start the cycle of a machine. In a typical situation, an operator manually positions a part in the machine for the operation. When the operator moves out of the danger area, the presence sensing device starts the machine (no start switch is used). The machine cycle runs to completion, and the operator can then insert a new part and start another cycle. The presence sensing device continually guards the machine. Single-break mode is used when the part is automatically ejected after the machine operation. Double-break mode is used when the part is both inserted (to begin the operation) and removed (after the operation) by the operator. PSDI is commonly confused with "Trip Initiate." PSDI is defined in OSHA CFR1910.217. Banner safety light screen systems may not be used as PSDI devices on mechanical power presses, per OSHA regulation 29 CFR 1910.217.

Q

Qualified Person

A person who, by possession of a recognized degree or certificate of professional training, or who, by extensive knowledge, training and experience, has successfully demonstrated the ability to solve problems relating to the subject matter and work.

R

Receiver

The light-receiving component of a safety light screen system, consisting of a row of synchronized phototransistors. The receiver, together with the emitter (placed opposite), creates a "screen of light" called the defined area.

Reset

The use of a manually operated switch to restore the safety outputs to the On state from a lockout condition.

Resolution

See *Minimum Object Sensitivity*

S

Self-Checking (Circuitry)

A circuit with the capability to electronically verify that all of its own critical circuit components, along with their redundant backups, are operating properly. Banner safety light screen systems and safety modules are self-checking.

Safety Distance

The minimum distance required to allow the machine's hazardous motion to stop completely, before a hand (or other object) can reach the nearest hazard point. Measured from the midpoint of the defined area to the nearest hazard point. Factors that influence minimum separation distance include the machine stop time, the light screen system response time, and the light screen minimum object detection size.

Specified Test Piece

An opaque object of sufficient size used to block a light beam to test the operation of a safety light screen system. When inserted into the defined area and placed in front of a beam, the test piece causes the outputs to de-energize.

Supplemental Guarding

Additional safeguarding device(s) or hard guarding, used to prevent a person from reaching over, under, through or around the primary safeguard or otherwise accessing the guarded hazard.

T

Test Piece

An opaque object of sufficient size used to block a light beam to test the operation of a safety light screen system.

U

UL (Underwriters Laboratory)

A third-party organization that tests products for compliance with appropriate standards, electrical codes, and safety codes. Compliance is indicated by the UL listing mark on the product.