

LED Series Sealed Backlights



Datasheet

For use with any Vision System



- Rugged, waterproof housing, rated IEC IP67
- Mounts directly from the back or surface mount using available brackets
- Smooth exterior for easy cleaning
- Diffused backlights for any Vision System (see Banner's web site www.bannerengineering.com for a complete lighting tutorial)
- Continuous or strobed operation is selectable via sensor software
- Solid-state LED matrix, in four sizes
- Available in four visible colors plus infrared
- Extremely bright light
- Completely non-corrosive
- Extremely even intensity edge-to-edge
- M12 connector

Models

Models	LED Color	Wavelength	Lighted Area
LEDIB75X150PW2-XQ	Infrared	850 nm	75 mm x 150 mm (2.95 in x 5.91 in)
LEDRB75X150PW2-XQ	Visible Red	633 nm	
LEDBB75X150PW2-XQ	Blue	469 nm	
LEDGB75X150PW2-XQ	Green	525 nm	
LEDWB75X150PW2-XQ	White	6500 K	
LEDIB150X150PW2-XQ	Infrared	850 nm	150 mm x 150 mm (5.91 in x 5.91 in)
LEDRB150X150PW2-XQ	Visible Red	633 nm	
LEDBB150X150PW2-XQ	Blue	469 nm	
LEDGB150X150PW2-XQ	Green	525 nm	
LEDWB150X150PW2-XQ	White	6500 K	
LEDIB225X150PW2-XQ	Infrared	850 nm	225 mm x 150 mm (8.86 in x 5.91 in)
LEDRB225X150PW2-XQ	Visible Red	633 nm	
LEDBB225X150PW2-XQ	Blue	469 nm	
LEDGB225X150PW2-XQ	Green	525 nm	
LEDWB225X150PW2-XQ	White	6500 K	
LEDIB300X150PW2-XQ	Infrared	850 nm	300 mm x 150 mm (11.81 in x 5.91 in)
LEDRB300X150PW2-XQ	Visible Red	633 nm	
LEDBB300X150PW2-XQ	Blue	469 nm	
LEDGB300X150PW2-XQ	Green	525 nm	
LEDWB300X150PW2-XQ	White	6500 K	



Specifications

Light Source

LED; wavelengths:

LED Color	Wavelength
Infrared	850 nm
Visible Red	633 nm
Blue	469 nm
Green	525 nm
White	6500 K

Supply Voltage and Current

75 mm x 150 mm models: 24 V dc \pm 10% @ 550 mA maximum
 150 mm x 150 mm models: 24 V dc \pm 10% @ 1.1 A maximum
 225 mm x 150 mm models: 24 V dc \pm 10% @ 1.65 A maximum
 300 mm x 150 mm models: 24 V dc \pm 10% @ 2.2 A maximum

Connections

Integral 5-pin threaded M12/Euro-style male quick disconnect, accessory cordset required

Operating Conditions

Temperature: 0 °C to +50 °C (+32 °F to +122 °F)
 Humidity: 95% maximum relative humidity (non-condensing)

Illumination

Diffused for use in applications needing a backlit light

Useful Life

B50/L50 Lifetime > 100,000 hours (Infrared, Red)
 B50/L50 Lifetime > 90,000 hours (Blue, Green, White)

Construction

Black Valox™ housing; acrylic window

Environmental Rating

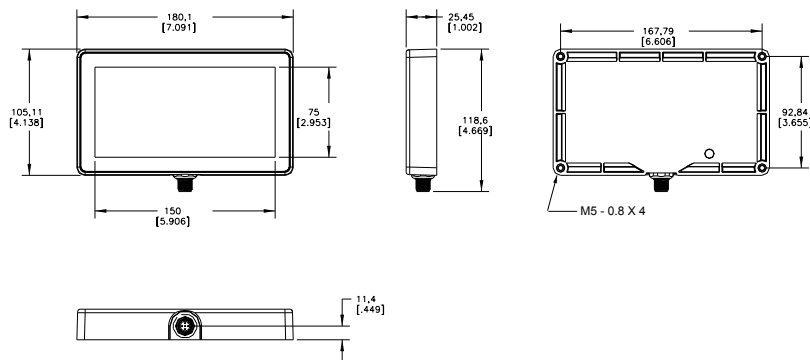
IEC IP67

Certification

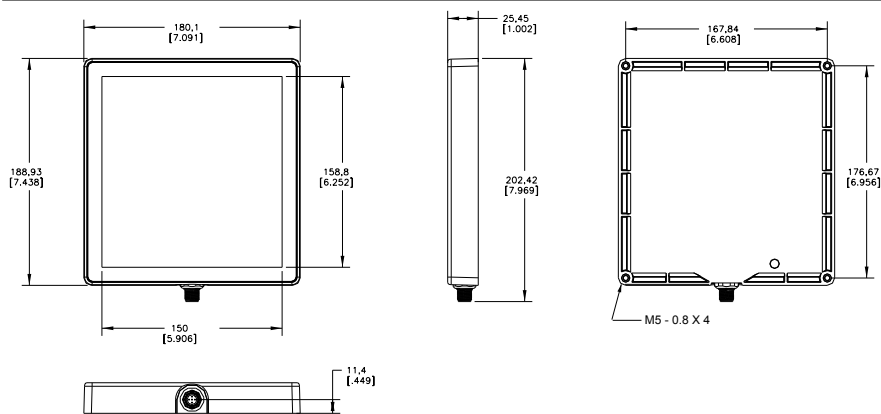


Dimensions

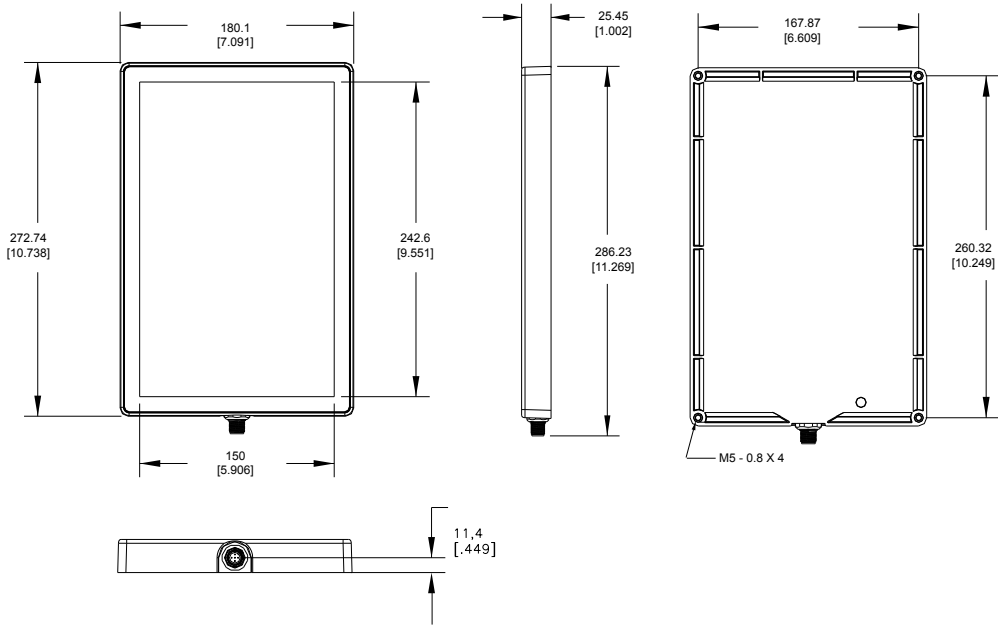
LED Series Sealed Backlights



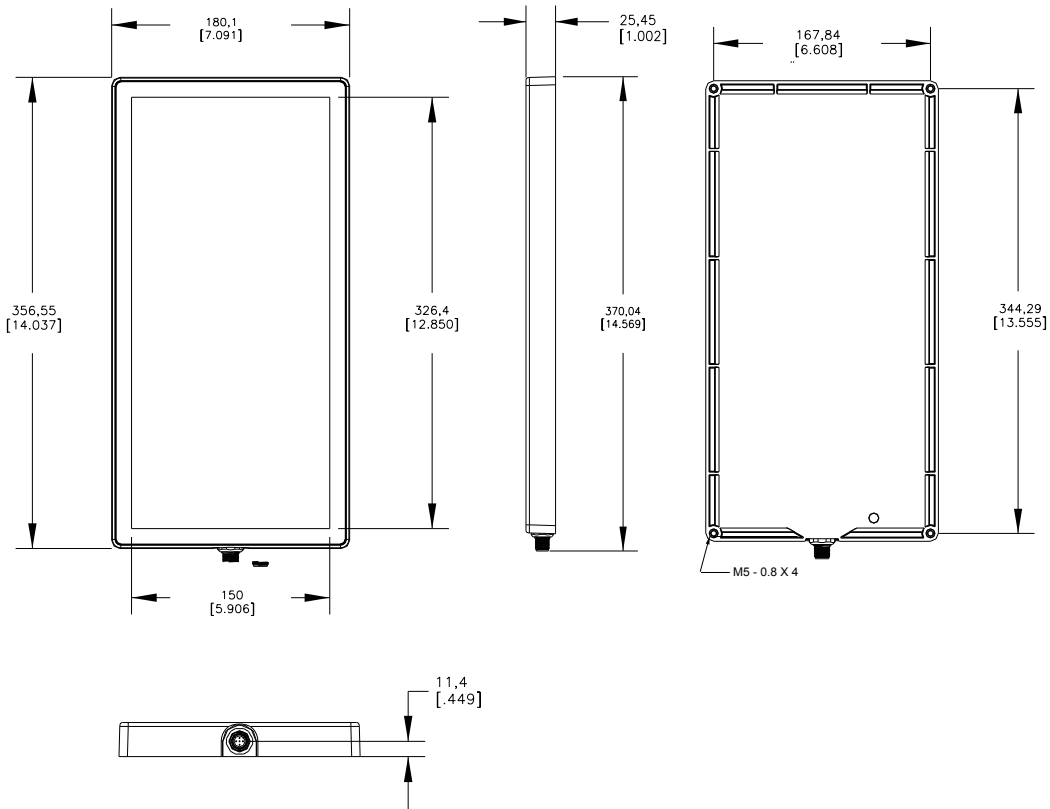
LED Series Sealed Backlights



LED Series Sealed Backlights



LED Series Sealed Backlights



All measurements are listed in millimeters (inches), unless noted otherwise.

Wiring

Wire Purpose	Cable Wire Color ¹	Continuous On Mode	Strobed Mode	PresencePlus Pro Controller Terminal Block
Power Wires	Brown (1)	+24 V dc	+24 V dc	Pin 01 ²
	Blue (3)	common	common	Pin 02
Strobe Polarity Control	Gray (5)	open	Active Low: open	Open — Active Low
			Active High: connect to common (Blue wire)	Pin 02 — Active High
Strobe Voltage Wires	White (2)	open	0 V dc = ON (Active Low) +5 V dc to 24 V dc = OFF (Active Low)	Pin 04
			0 V dc = OFF (Active High) +5 V dc to 24 V dc = ON (Active High)	
	Black (4)	open	Strobe common	Pin 02

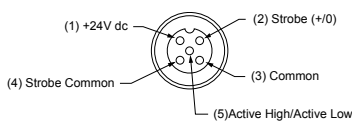
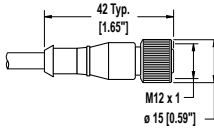
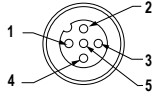


Figure 1. Pinouts for Mating Cable

Accessories

Cordsets

For use with nickel-plated models, a 5-wire cable with an M12/Euro-style connector at one end and flying leads at the other end:

5-Pin Threaded M12/Euro-Style Cordsets				
Model	Length	Style	Dimensions	Pinout (Female)
MQDC20-506	1.83 m (6 ft)	Straight		 <p>1 = Brown 2 = White 3 = Blue 4 = Black 5 = Gray</p>
MQDC20-515	4.57 m (15 ft)			
MQDC20-530	9.14 m (30 ft)			

For use with stainless steel models, a 5-wire cable with a stainless steel M12/Euro-style connector at one end and flying leads at the other end:

¹ For Banner-supplied wire.

² When connecting the light to a PresencePLUS Pro controller terminal block, the controller supply must be 24 V dc \pm 10%.

5-Pin Threaded M12/Euro-Style Cordsets—Stainless Steel Nut				
Model	Length	Style	Dimensions	Pinout (Female)
MQDC20SS-506	1.83 m (6 ft)	Straight		
MQDC20SS-515	4.57 m (15 ft)			
MQDC20SS-530	9.14 m (30 ft)			

Accessory Brackets

SMBBSSM

- 316 stainless steel bracket and hardware
- Includes 2 brackets; four M5 socket drive, button head screws to attach to light



Banner Engineering Corp Limited Warranty

Banner Engineering Corp. warrants its products to be free from defects in material and workmanship for one year following the date of shipment. Banner Engineering Corp. will repair or replace, free of charge, any product of its manufacture which, at the time it is returned to the factory, is found to have been defective during the warranty period. This warranty does not cover damage or liability for misuse, abuse, or the improper application or installation of the Banner product.

THIS LIMITED WARRANTY IS EXCLUSIVE AND IN LIEU OF ALL OTHER WARRANTIES WHETHER EXPRESS OR IMPLIED (INCLUDING, WITHOUT LIMITATION, ANY WARRANTY OF MERCHANTABILITY OR FITNESS FOR A PARTICULAR PURPOSE), AND WHETHER ARISING UNDER COURSE OF PERFORMANCE, COURSE OF DEALING OR TRADE USAGE.

This Warranty is exclusive and limited to repair or, at the discretion of Banner Engineering Corp., replacement. IN NO EVENT SHALL BANNER ENGINEERING CORP. BE LIABLE TO BUYER OR ANY OTHER PERSON OR ENTITY FOR ANY EXTRA COSTS, EXPENSES, LOSSES, LOSS OF PROFITS, OR ANY INCIDENTAL, CONSEQUENTIAL OR SPECIAL DAMAGES RESULTING FROM ANY PRODUCT DEFECT OR FROM THE USE OR INABILITY TO USE THE PRODUCT, WHETHER ARISING IN CONTRACT OR WARRANTY, STATUTE, TORT, STRICT LIABILITY, NEGLIGENCE, OR OTHERWISE.

Banner Engineering Corp. reserves the right to change, modify or improve the design of the product without assuming any obligations or liabilities relating to any product previously manufactured by Banner Engineering Corp.