



EZ-LIGHT™ K80 Call Light

Battery-powered call-for-assistance indicator

Features



- Illuminated dome provides easy-to-see call-for-assistance indication
 - Battery powered
 - Flashes ON/OFF
 - Switch activated
 - For “Andon”* applications
 - No assembly required
 - Rugged, cost-effective and easy-to-install
- * Andon lights on machines or production lines indicate operation status. They are often located overhead for workers or a supervisor to view them.

Models

Model*	Color	Flash Rate	Input
K80CLR	Red	1 second	18V (two 9V batteries - batteries included)

* All models include a 48 mm (1.9") circular velcro mounting kit for easy mounting with no additional hardware

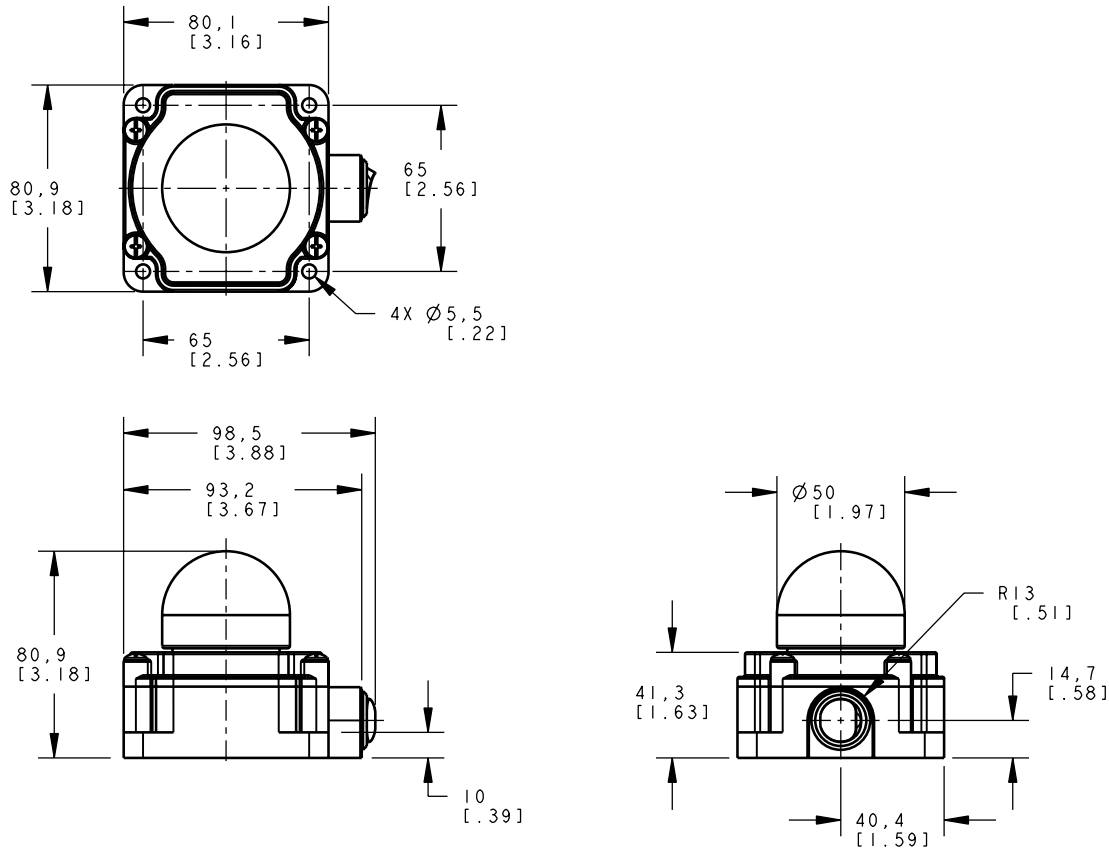
Specifications

Feature	Description
Supply Voltage	18V (two 9V batteries); batteries included
Battery Characteristics	Type: 9V alkaline (2) Life expectancy: approximately 100 hours continuous operation with high-quality alkaline batteries
LED Characteristics	Color: Red
Flash Timing	Turn on response: 1 second Flash duration: 35 ms Flash rate: 1 second
Environmental Rating	IP50



Feature	Description
Operating Conditions	-20° to +50° C (-4° to +122° F)

Dimensions



WARNING . . . Not To Be Used for Personnel Protection

Never use this product as a sensing device for personnel protection. Doing so could lead to serious injury or death

This product does NOT include the self-checking redundant circuitry necessary to allow its use in personnel safety applications. A sensor failure or malfunction can cause either an energized or de-energized sensor output condition. Consult your Banner Safety Products catalog for safety products that meet OSHA, ANSI and IEC standards for personnel protection.