

# LED..B..W Series Backlights



## Datasheet

Visible red or infrared backlights in 2 sizes, with 3-conductor cable



- Diffused backlight for PresencePLUS® Pro sensors. See Banner's website at [www.bannerengineering.com](http://www.bannerengineering.com) for a complete lighting tutorial.
- Continuous light and strobed operation, selectable via sensor software
- Solid-state LED matrix, in two sizes.
- Direct connection to PresencePLUS Pro or to an external power supply using 3 discrete wires.
- Two sizes available; see models table.
- Bracket option(s) available for all models.

## Models

Model	LED Color	Wave Length	Active Area
LEDIB70X70W	Infrared	940 nm	71 x 71 mm (2.8" x 2.8")
LEDRB70X70W	Visible Red	660 nm	
LEDIB85X220W	Infrared	940 nm	85 x 220 mm (3.35" x 8.67")
LEDRB85X220W	Visible Red	660 nm	

To order the 9 m (30 ft) integral cable model, add the suffix "W/30" to the model number (for example, LEDIB70X70W W/30).

## Specifications

### Light Source

LED; see models table for wavelengths

### Illumination

Diffused for use in applications needing a backlit light source.

### Supply Voltage and Current

70 X 70 mm models: 24 V dc at 250 mA max.  
85 x 220 mm models: 24 V dc at 500 mA max.

### Connections

2 m (6.5 ft) or 9 m (30 ft) PUR-jacketed, 3-conductor attached cable

### Construction

Low-carbon steel with black zinc plating, acrylic window

### Useful Life

10,000 hours (LED ON time). When operated within specifications, output will decrease less than 30% after 10,000 hours and less than 40% after 20,000 hours.

### Operating Conditions

0 °C to 50 °C (32 °F to 122 °F)  
90% at 50 °C (non-condensing) max. relative humidity

### Cleaning Instructions

- Regularly remove any dust, dirt, or fingerprints from the light source.
- Blow off dust using anti-static compressed air.
- If necessary, use a lens cloth and lens cleaner or window cleaner to wipe off remaining debris. Do not use any other chemicals for cleaning.



Wiring Table				
Backlight Wire	PresencePLUS Pro Controller Terminal Block	External Power Supply (Strobed)		External Power Supply (Continuous)
Brown	Pin 1 (+V <sup>1</sup> )	+V		+V
Blue	Pin 2 (-V <sup>2</sup> )	-V		-V
Black	Pin 4 (strobe)	+5 V dc	OFF	-V
		-V	ON	

## Dimensions

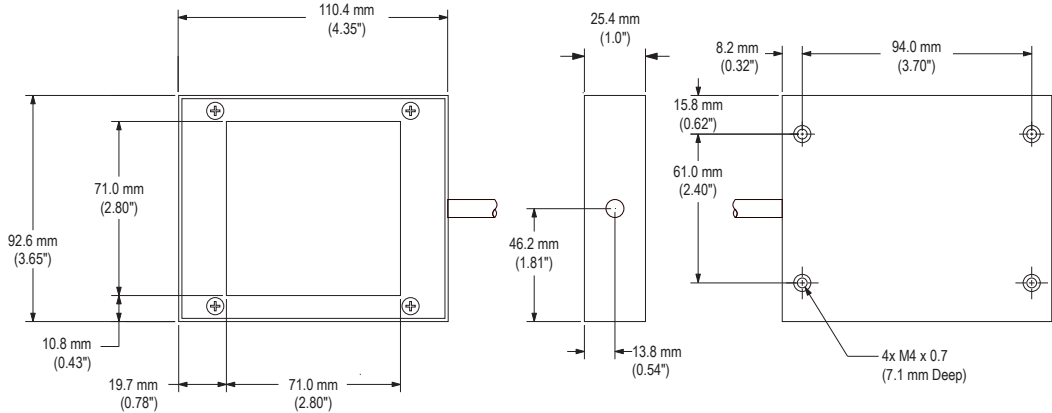


Figure 1. Backlight, 70x70 mm model

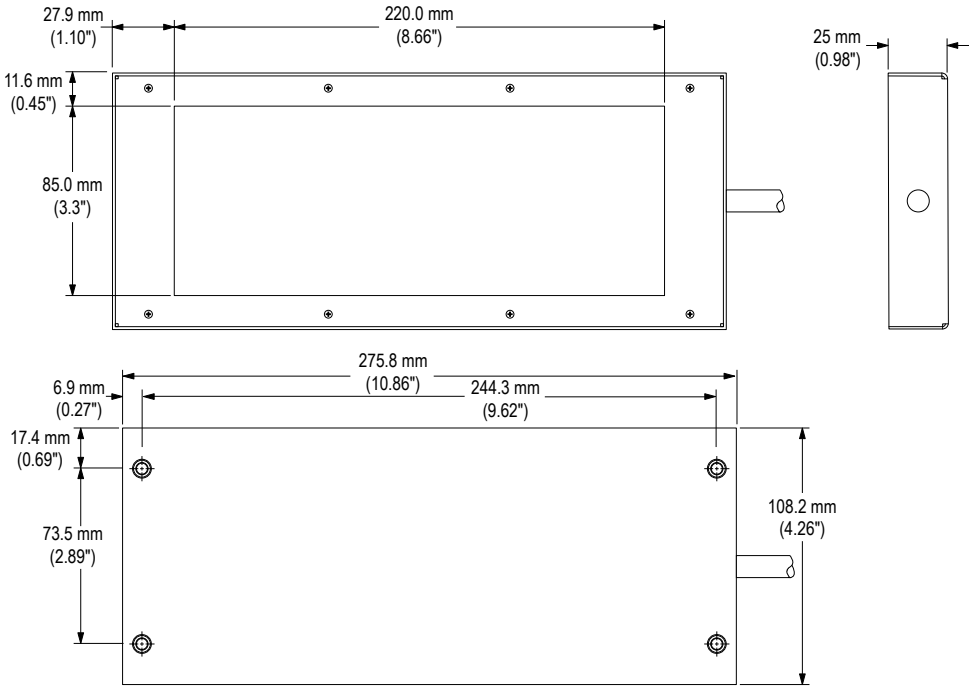
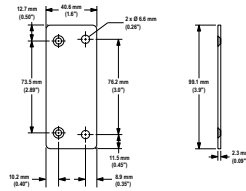
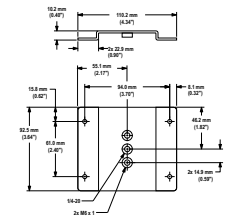
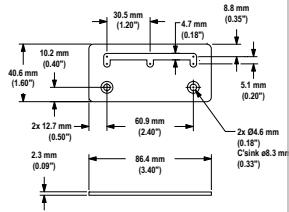


Figure 2. Backlight, 85x220 mm model

<sup>1</sup> +V = 24V dc ± 10%  
<sup>2</sup> -V = dc common

## Accessory Mounting Brackets

<p><b>SMBABM</b></p> <ul style="list-style-type: none"> <li>• 13-ga. zinc-plated low-carbon steel</li> <li>• (4) M4 Phillips flathead screws included</li> <li>• For mounting light from front</li> <li>• Accommodates backlight models LED..B70X70..</li> </ul>	<p><b>SMBACM</b></p> <ul style="list-style-type: none"> <li>• 14-ga. zinc-plated low-carbon steel</li> <li>• (4) M4 socket-head cap screws, washers and hex key included</li> <li>• For mounting light from rear</li> <li>• Accommodates backlight models LED..B70X70..</li> </ul>
<p><b>SMBLB</b></p> <ul style="list-style-type: none"> <li>• Accommodates backlight models LED..B85X220..</li> </ul>	



## Banner Engineering Corp Limited Warranty

Banner Engineering Corp. warrants its products to be free from defects in material and workmanship for one year following the date of shipment. Banner Engineering Corp. will repair or replace, free of charge, any product of its manufacture which, at the time it is returned to the factory, is found to have been defective during the warranty period. This warranty does not cover damage or liability for misuse, abuse, or the improper application or installation of the Banner product.

THIS LIMITED WARRANTY IS EXCLUSIVE AND IN LIEU OF ALL OTHER WARRANTIES WHETHER EXPRESS OR IMPLIED (INCLUDING, WITHOUT LIMITATION, ANY WARRANTY OF MERCHANTABILITY OR FITNESS FOR A PARTICULAR PURPOSE), AND WHETHER ARISING UNDER COURSE OF PERFORMANCE, COURSE OF DEALING OR TRADE USAGE.

This Warranty is exclusive and limited to repair or, at the discretion of Banner Engineering Corp., replacement. IN NO EVENT SHALL BANNER ENGINEERING CORP. BE LIABLE TO BUYER OR ANY OTHER PERSON OR ENTITY FOR ANY EXTRA COSTS, EXPENSES, LOSSES, LOSS OF PROFITS, OR ANY INCIDENTAL, CONSEQUENTIAL OR SPECIAL DAMAGES RESULTING FROM ANY PRODUCT DEFECT OR FROM THE USE OR INABILITY TO USE THE PRODUCT, WHETHER ARISING IN CONTRACT OR WARRANTY, STATUTE, TORT, STRICT LIABILITY, NEGLIGENCE, OR OTHERWISE.

Banner Engineering Corp. reserves the right to change, modify or improve the design of the product without assuming any obligations or liabilities relating to any product previously manufactured by Banner Engineering Corp.