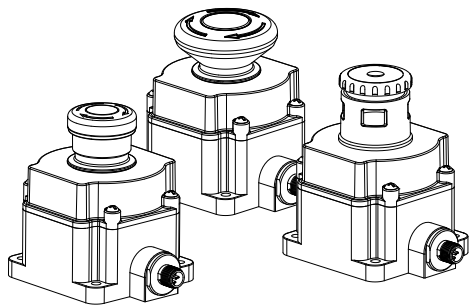


SSA-EB Series Emergency Stop Push Buttons



Datasheet

Non-Illuminated Flush Mount Electro-Mechanical Push Buttons



- Rugged design; easy installation with no assembly or individual wiring required
- Push-to-stop, twist-to-release (all models), or pull-to-release (standard and large) operation per IEC 60947-5-5
- Latching design complies with ISO 13850; direct (positive) opening operation per EN 60947-5-1
- Compliant with ANSI B1.19, ANSI NFPA79, and IEC/EN 60204-1 Emergency Stop requirements
- "Safe Break Action" ensures N.C. contacts will open if the contact block is separated from the actuator
- 4-, 5-, or 8-pin M12/Euro-style quick disconnect
- Model available with RED LED indication of actuation in button (depressed/latched)
- Models designed to interface with Safety BUS nodes/gateways
- "Emergency Stop" legend included

Models SSA-EB... series are "mushroom-style" electro-mechanical emergency stop push buttons. When the button is armed, the switch's safety contacts (N.C.) are closed and its monitoring contacts (N.O.), if present, are open. When the button is pushed, the switch's safety contacts open, and the monitoring contacts close. The contacts remain in this condition until the push button is manually rearmed by twisting clockwise the red push button actuator, or by pulling on the models with the standard actuator.

The SSA-EB1(2)..-..ED1.. series has a flat mounting base for ease of mounting without requiring an additional enclosure. The illuminated models provide a RED indication in the face of the button that allows for easy identification of a pushed/actuated button.

SSA-EB1M... series padlock-style lockable emergency stop push buttons are intended to prevent unauthorized or accidental resetting of a pushed/latched button. The SSA-EB1M... series are not to be used as an energy isolating device or as the sole means of complying with Lockout/Tagout or with the requirements of the isolation of hazardous energy (see OSHA 29CFR1910.147, ANSI Z244.1, CSA Z460, ISO 14118). The locking feature can be used to provide supervisory/personal control and provide an additional safety measure(s) to reduce the likelihood of inadvertent arming and energization of the emergency stop circuit.

Models

Table 1: Non-Illuminated Models

Model	Push Button	E-Stop Contacts	Connection
SSA-EB1P-02ED1Q4	Standard 40 mm	2 N.C.	4-pin M12 QD
SSA-EB1MP-02ED1Q4	Lockable 44 mm		
SSA-EB1P-02ED1Q4A	Standard 40 mm	2 N.C.	4-pin M12 QD—Alternate pinout
SSA-EB1MP-02ED1Q4A	Lockable 44 mm		
SSA-EB1P-11ED1Q4	Standard 40 mm	1 N.C. / 1 N.O.	4-pin M12 QD
SSA-EB1MP-11ED1Q4	Lockable 44 mm		
SSA-EB1P-02ED1Q5A	Standard 40 mm	2 N.C.	Safety BUS node compatible ¹
SSA-EB1MP-02ED1Q5A	Lockable 44 mm		5-pin M12 QD
SSA-EB2P-02ED1Q5A	Large 60 mm		CH1 = pins 1 & 2, CH2 = pins 4 & 5
SSA-EB1P-02ED1Q5B	Standard 40 mm	2 N.C.	Safety BUS node compatible ²
SSA-EB1MP-02ED1Q5B	Lockable 44 mm		5-pin M12 QD
SSA-EB2P-02ED1Q5B	Large 60 mm		CH1 = pins 1 & 4, CH2 = pins 2 & 5
SSA-EB1P-22ED1Q8	Standard 40 mm	2 N.C. / 2 N.O.	8-pin M12 QD
SSA-EB1MP-22ED1Q8	Lockable 44 mm		

¹ Compatible with AllenBradley ArmorBlock® 1732DS Safe DeviceNet remote I/O

² Compatible with Siemens ET 200pro PROFIsafe gateway



Model	Push Button	E-Stop Contacts	Connection
SSA-EB2P-04ED1Q8	Large 60 mm	4 N.C.	8-pin M12 QD

Table 2: Illuminated Button Models (face, PUSH ON)

Model	Push Button	E-Stop Contacts	Connection
SSA-EB1PL2-12ED1Q8	Standard 40 mm	2 N.C. / 1 N.O.	8-pin M12 QD
SSA-EB1ML2P-12ED1Q8	Lockable 44 mm		

Important... Read this before proceeding!

The user is responsible for satisfying all local, state, and national laws, rules, codes, and regulations relating to the use of this product and its application. Banner Engineering Corp. has made every effort to provide complete application, installation, operation, and maintenance instructions. Please contact a Banner Applications Engineer with any questions regarding this product.

The user is responsible for making sure that all machine operators, maintenance personnel, electricians, and supervisors are thoroughly familiar with and understand all instructions regarding the installation, maintenance, and use of this product, and with the machinery it controls. The user and any personnel involved with the installation and use of this product must be thoroughly familiar with all applicable standards, some of which are listed within the specifications. Banner Engineering Corp. makes no claim regarding a specific recommendation of any organization, the accuracy or effectiveness of any information provided, or the appropriateness of the provided information for a specific application.



WARNING: Not a Safeguarding Device

An Emergency Stop Device is not considered a safeguarding device because it requires an overt action by an individual to stop machine motion or hazards.

A safeguarding device limits or eliminates an individual's exposure to a hazard *without action by the individual or others*. Because an individual must actuate the device for it to function, these devices do not fit the definition of a safeguarding device and cannot be substituted for required safeguarding. Refer to the relevant standards to determine those requirements.

Emergency Stop Considerations

ANSI NFPA 79, ANSI B11.19, IEC/EN 60204-1, and ISO 13850 specify emergency stop requirements, including the following:

- Emergency-stop push buttons shall be located at each operator control station and at other operating stations where emergency shutdown is required.
- Stop and emergency-stop push buttons shall be continuously operable and readily accessible from all control and operating stations where located. Do not mute or bypass E-stop buttons.
- Actuators of emergency-stop devices shall be colored red. The background immediately around the device actuator shall be colored yellow (where possible). The actuator of a push-button-operated device shall be of the palm or mushroom-head type.
- The emergency-stop actuator shall be a self-latching type.



WARNING: Emergency Stop Functions

Do not mute or bypass any Emergency Stop device. ANSI B11.19, ANSI NFPA79 and IEC/EN 60204-1 require that **the Emergency Stop function remain active at all times.**



WARNING: Multiple Switching Devices

Whenever two or more devices are connected to the same safety module (controller):

- **Contacts of the corresponding pole of each switch must be connected together in series. Never connect the contacts of multiple switches in parallel.** Such a parallel connection defeats the switch contact monitoring ability of the Module and creates an unsafe condition which may result in serious injury or death.
- **Each device must be individually actuated (engaged), then released (or re-armed) and the safety module reset.** This allows the module to check each switch and its wiring to detect faults.

This check must be performed during the prescribed checkouts. **Failure to test each device individually in this manner may result in undetected faults and create an unsafe condition which may result in serious injury or death.**

Installation and Maintenance

The device must not be affected by environmental conditions. **Install the device so that operation is not impeded, but should be protected against inadvertent operation** (for example, accidental actuation by being bumped or leaned against). Do not operate the switch using a tool. Do not expose the switch to excessive shocks and vibrations, otherwise the switch may be deformed or damaged, causing malfunction or operation failure. M5 mounting hardware is included.

Electrical installation must be made by qualified personnel³ and must comply with NEC (National Electrical Code), ANSI/NFPA 79 or IEC/EN 60204-1, and all applicable local standards. It is not possible to give exact wiring instructions for a device that interfaces to a multitude of machine control configurations. The following is general in nature; it is recommended to perform a risk assessment to ensure appropriate application, interfacing/hookup, and risk reduction (see ISO 12100 or ANSI B11.0).

For SSA-EB1M... series padlock-style lockable emergency stop push buttons, make sure that an applicable padlock and hasp is used. The total weight of the padlock and hasp must not exceed 1500 g (3.3 lbs) or the switch may malfunction or fail.



WARNING: Shock Hazard and Hazardous Energy

Always disconnect power from the safety system (for example, device, module, interfacing, etc.) and the machine being controlled before making any connections or replacing any component.

Electrical installation and wiring must be made by Qualified Personnel and must comply with the relevant electrical standards and wiring codes, such as the NEC (National Electrical Code), ANSI NFPA79, or IEC 60204-1, and all applicable local standards and codes.

Lockout/tagout procedures may be required. Refer to OSHA 29CFR1910.147, ANSI Z244-1, ISO 14118, or the appropriate standard for controlling hazardous energy.

Table 3: SSA-EB1xx-02ED1Q4(A) (2 N.C.) and SSA-EB1xx-11ED1Q4 (1 N.C. / 1 N.O.)

Pin	Color	SSA-EB1xx-02ED1Q4		SSA-EB1xx-02ED1Q4A		SSA-EB1xx-11ED1Q4		Pinout
		Function	Contacts	Function	Contacts	Function	Contacts	
1	Brown	CH1b	N.C.	CH1b	N.C.	CH1b	N.C.	Male
2	White	CH2a	N.C.	CH2a	N.C.	CH2a	N.O.	
3	Blue	Ch2b	N.C.	Ch1a	N.C.	Ch2b	N.O.	
4	Black	CH1a	N.C.	CH2b	N.C.	CH1a	N.C.	
5	n.a.	n.a.		n.a.		n.a.		

Table 4: SSA-EB1(2)xx-02ED1Q5A (2 N.C.) and SSA-EB1(2)xx-02ED1Q5B (2 N.C.)

Pin	Color	SSA-EB1(2)xx-02ED1Q5A ⁴		SSA-EB1(2)xx-02ED1Q5B ⁵		Pinout
		Function	Contacts	Function	Contacts	
1	Brown	CH1a	N.C.	CH1b	N.C.	Male
2	White	CH1b	N.C.	CH2a	N.C.	
3	Blue	n.a.				
4	Black	CH2a	N.C.	CH1a	N.C.	
5	Gray	CH2b	N.C.	Ch2b	N.C.	

³ A Qualified Person possesses a recognized degree or certificate or has extensive knowledge, training, and experience to solve problems relating to the emergency stop installation.

⁴ Compatible with AllenBradley ArmorBlock® 1732DS Safe DeviceNet remote I/O

⁵ Compatible with Siemens ET 200pro PROFIsafe gateway

Table 5: SSA-EB2P-04ECQ8 (4 N.C.) and SSA-EB1xx-22ECQ8 (2 N.C./2 N.O.)

Pin	Color	SSA-EB2P-04ECQ8		SSA-EB1P-22ED1Q8		Pinout
		Function	Contacts	Function	Contacts	
1	White	CH3a	N.C.	AUX1a	N.O.	
2	Brown	CH4a	N.C.	AUX2a	N.O.	
3	Green	CH3b	N.C.	AUX1b	N.O.	
4	Yellow	CH2a	N.C.	CH2a	N.C.	
5	Gray	CH2b	N.C.	CH2b	N.C.	
6	Pink	CH1a	N.C.	CH1a	N.C.	
7	Blue	CH4b	N.C.	AUX2b	N.O.	
8	Red	CH1b	N.C.	CH1b	N.C.	

Table 6: SSA-EB1xx-12ED1Q8 (Illuminated Button)

Pin	Color	Function	Contacts	Pinout
1	White	AUX1a	N.O.	
2	Brown	LED +	+ V dc	
3	Green	AUX1b	N.O.	
4	Yellow	CH2a	N.C.	
5	Gray	CH2b	N.C.	
6	Pink	CH1a	N.C.	
7	Blue	LED com.	0V dc	
8	Red	CH1b	N.C.	

Checkout

At machine set up, a *Designated Person*⁶ should test each emergency stop push button for proper machine shutdown response. A *Designated Person* should check the emergency stop buttons for proper operation, physical damage, button looseness, and excessive environmental contamination. This should take place on a periodic schedule determined by the user, based on the severity of the operating environment and the frequency of switch actuations. Adjust, repair, or replace components as needed. If inspection reveals contamination on the switch, thoroughly clean the switch and eliminate the cause of the contamination. Replace the switch and/or appropriate components when any parts or assemblies are damaged, broken, deformed, or badly worn; or if the electrical/mechanical specifications (for the environment and operating conditions) have been exceeded. **Always test the control system for proper functioning** under machine control conditions after performing maintenance, replacing the emergency stop device, or replacing any component of the device.

⁶ A *Designated Person* is identified in writing by the employer as being appropriately trained to perform a specified checkout procedure. A *Qualified Person* possesses a recognized degree or certificate or has extensive knowledge, training, and experience to solve problems relating to the emergency stop installation.

Specifications

Housing / Button / Collar

Polycarbonate / Polyamide / Aluminum
#10 or M5 (M5 hardware included); Max. Tightening Torque: 0.56 N·m (5 in·lb_f)

Operating Conditions

Temperature: -25 °C to +55 °C (-13 °F to +131 °F)
Humidity: 45% to 85% RH (no condensation)

Environmental Rating

IP65 (IEC60529)

Insulation Resistance

100MΩ minimum (500 V dc megger)

Impulse Withstand Voltage

2.5 kV

Pollution Degree

3

Output Configuration

See [Installation and Maintenance](#) on page 3

Overvoltage Category

II

Contact Material/Bounce⁷

Gold plated silver / 20 ms

Electrical Life

100,000 operations minimum, 250,000 operations minimum at 24 V AC/DC, 100 mA

Mechanical Life

250,000 operations

Shock Resistance

Operating extremes: 150 m/s² (15G)

Vibration Resistance

Operating extremes: 10 to 500Hz, amplitude 0.35 mm acceleration 50 m/s²

Rated Operating Current and Voltage (Ue)

Safety Contact (N.C.)		30 V	125 V	250 V
AC 50/60 Hz	Resistive Load (AC-12)	-	-	3 A
	Inductive Load (AC-15)	-	3 A	1.5 A
DC	Resistive Load (DC-12)	2 A	0.4 A	0.2 A
	Inductive Load (DC-13)	1 A	0.22 A	0.1 A

Monitor Contacts (N.O.)		30 V	125 V	250 V
AC 50/60 Hz	Resistive Load (AC-12)	-	1.2 A	0.6 A
	Inductive Load (AC-14)	-	0.6 A	0.3 A
DC	Resistive Load (DC-12)	2 A	0.4 A	0.2 A
	Inductive Load (DC-13)	1 A	0.22 A	0.1 A

LED Color

Red

LED Voltage / Current

24 V ac/dc ±10%, 15 mA

Total Weight of Padlock and Hasp (SSA-EB1M...only)

1500g (3.3 lb) max.

Electrical Rating

Minimum load: 1 mA at 5 V ac/dc

SSA-EB1(2)xx-Q4 and -Q5: 3 A at 250 V maximum

SSA-EB1(2)xx-Q8: 2 A at 60 V ac/75 V dc maximum

UL Applications: 1.5 A at 250 V ac, 1 A at 30 V dc (pilot duty)

CE Applications: AC-15: 1.5 A at 250 V ac, DC-13: 1 A at 30 V dc

Rated Insulation Voltage (Ui)

250 V

Rated Current (Ith)

3A

B10d

100,000 (based on ISO13849-1(2006))

Design Standards

Compliant with EN/IEC 60497-1 / -5-1, ISO 13850, ANSI B11.19, ANSI NFPA79, IEC 60204-1

Date code format (U.S. Standard Format)

YYWWX: 2-digit year, 2-digit week, "X" internal code

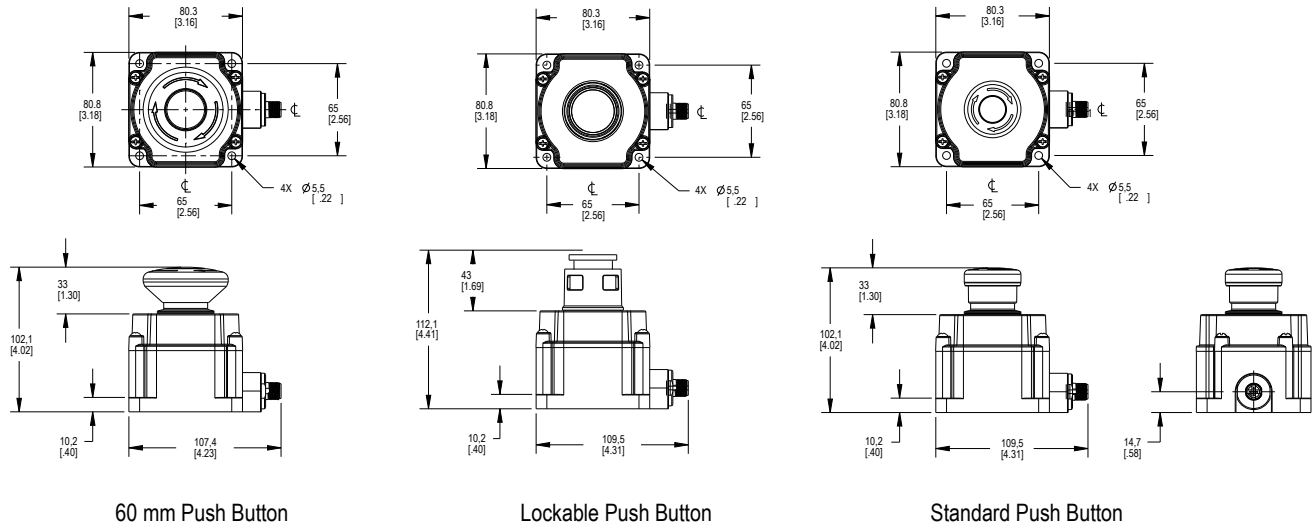
Certifications



⁷ When the button is reset, the normally closed contacts will chatter. When pressing the button, the normally open contacts will chatter. When designing a control circuit, take the contact chatter time into consideration. Do not expose the switch to external shocks, otherwise the contacts will bounce.

Dimensions

All measurements are listed in millimeters [inches], unless noted otherwise.



60 mm Push Button

Lockable Push Button

Standard Push Button

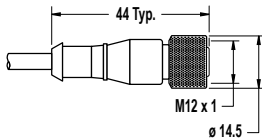
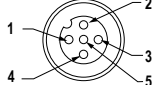
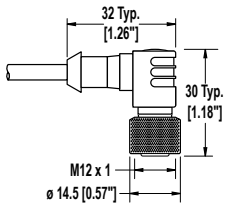
a	b	c	d
7 mm max	19 mm max	39 mm min	15 mm min ⁸

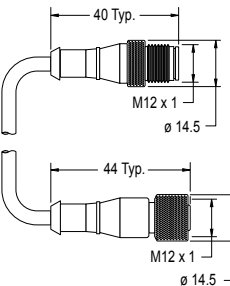
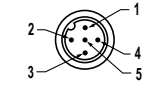
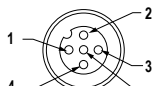
Accessories

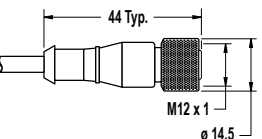
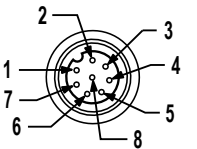
Cordsets

4-Pin Threaded M12/Euro-Style Cordsets				
Model	Length	Style	Dimensions	Pinout (Female)
MQDC-406	1.83 m (6 ft)	Straight		<p>1 = Brown 2 = White 3 = Blue 4 = Black</p>
MQDC-415	4.57 m (15 ft)			
MQDC-430	9.14 m (30 ft)			
MQDC-450	15.2 m (50 ft)	Right-Angle		
MQDC-406RA	1.83 m (6 ft)			
MQDC-415RA	4.57 m (15 ft)			
MQDC-430RA	9.14 m (30 ft)			
MQDC-450RA	15.2 m (50 ft)			

⁸ Dimension d is 6 mm or more when attaching a padlock from the side of a switch

5-Pin Threaded M12/Euro-Style Cordsets—Single Ended				
Model	Length	Style	Dimensions	Pinout (Female)
MQDC1-501.5	0.50 m (1.5 ft)	Straight		
MQDC1-506	1.83 m (6 ft)			
MQDC1-515	4.57 m (15 ft)			
MQDC1-530	9.14 m (30 ft)			
MQDC1-506RA	1.83 m (6 ft)	Right-Angle		<p>1 = Brown 2 = White 3 = Blue 4 = Black 5 = Gray</p>
MQDC1-515RA	4.57 m (15 ft)			
MQDC1-530RA	9.14 m (30 ft)			

5-Pin Threaded M12/Euro-Style Cordsets—Double Ended				
Model	Length	Style	Dimensions	Pinout
DEE2R-51D	0.31 m (1 ft)	Female Straight/ Male Straight		Male
DEE2R-53D	0.91 m (3 ft)			
DEE2R-58D	2.44 m (8 ft)			Female
DEE2R-515D	4.57 m (15 ft)			
DEE2R-525D	7.62 m (25 ft)			<p>1 = Brown 2 = White 3 = Blue 4 = Black 5 = Green/Yellow</p>
DEE2R-550D	15.2 m (50 ft)			
DEE2R-575D	22.9 m (75 ft)			
DEE2R-5100D	30.5 m (100 ft)			

8-Pin Threaded M12/Euro-Style Cordsets with Open-Shield				
Model	Length	Style	Dimensions	Pinout (Female)
MQDC2S-806	1.83 m (6 ft)	Straight		
MQDC2S-815	4.57 m (15 ft)			
MQDC2S-830	9.14 m (30 ft)			
MQDC2S-850	15.2 m (50 ft)			

8-Pin Threaded M12/Euro-Style Cordsets—Double Ended												
Model (8-pin/8-pin) ⁹	Length	Style	Dimensions	Pinout								
DEE2R-81D	0.31 m (1 ft)	Female Straight/ Male Straight		<p>Female</p> <p>Male</p>								
DEE2R-83D	0.91 m (3 ft)											
DEE2R-88D	2.44 m (8 ft)											
DEE2R-815D	4.57 m (15 ft)											
DEE2R-825D	7.62 m (25 ft)											
DEE2R-850D	15.2 m (50 ft)											
DEE2R-875D	22.9 m (75 ft)											
DEE2R-8100D	30.5 m (100 ft)			<table border="0"> <tr> <td>1 = White</td> <td>5 = Gray</td> </tr> <tr> <td>2 = Brown</td> <td>6 = Pink</td> </tr> <tr> <td>3 = Green</td> <td>7 = Blue</td> </tr> <tr> <td>4 = Yellow</td> <td>8 = Red</td> </tr> </table>	1 = White	5 = Gray	2 = Brown	6 = Pink	3 = Green	7 = Blue	4 = Yellow	8 = Red
1 = White	5 = Gray											
2 = Brown	6 = Pink											
3 = Green	7 = Blue											
4 = Yellow	8 = Red											

See Banner Engineering catalog or www.bannerengineering.com for additional models and complete information.

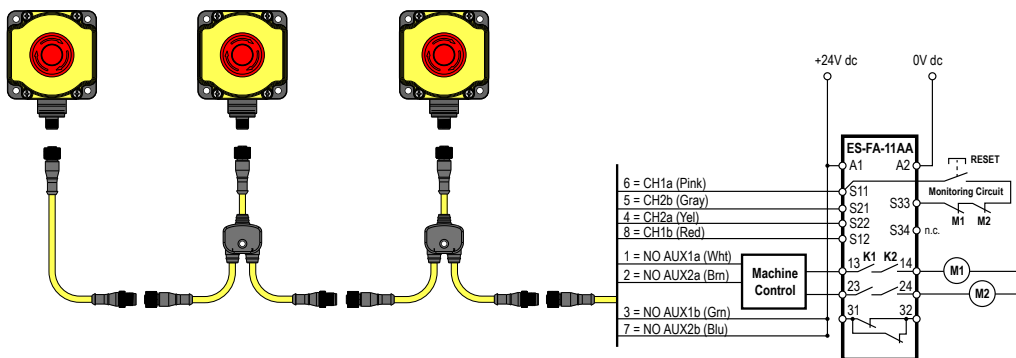
Series Hookup Cordset Solution

This interconnection solution allows for quick hookup of a series of string emergency stop buttons. For the models listed below, Branch #1 and Branch #2 are 300 mm (12 in) in length and the length of the trunk is listed below.



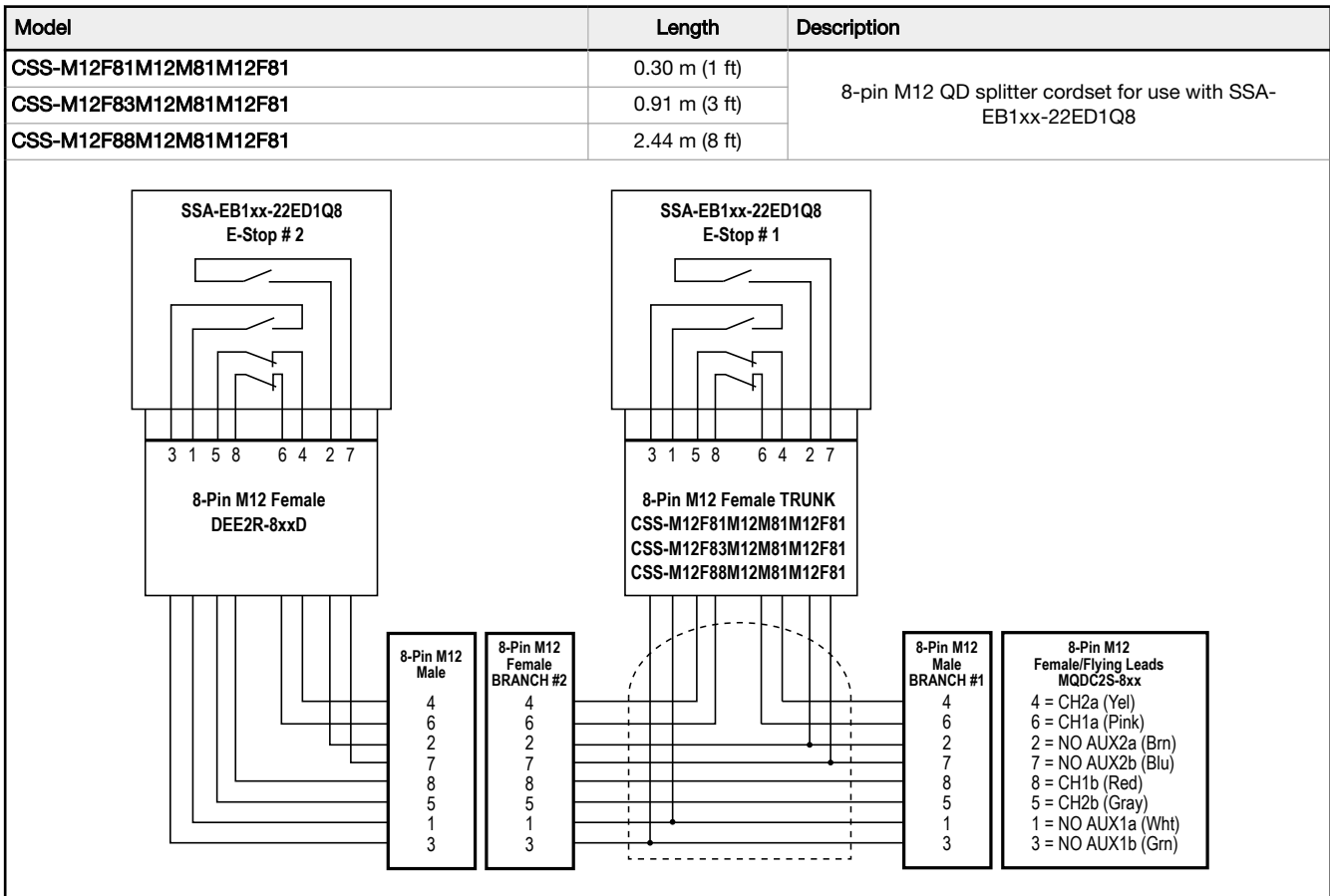
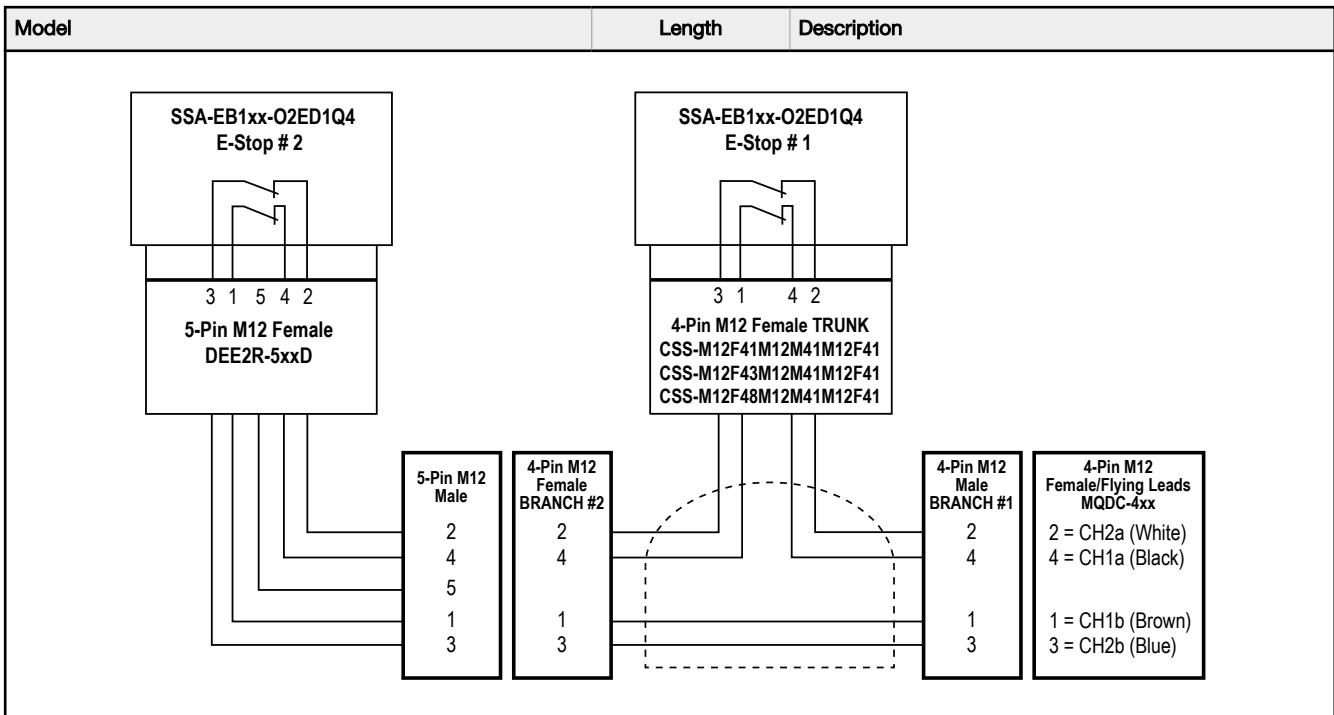
WARNING: Intentional Defeat

The CSS Series Hookup Cordsets must be installed so that they cannot be easily defeated. Ensure that mounting and routing of the cordsets that are connected to the Trunk, Branch #1, Branch #2, and the E-Stop QD connector does not allow access to the QD connectors or allow improper connection bypassing the function of the Emergency Stop.

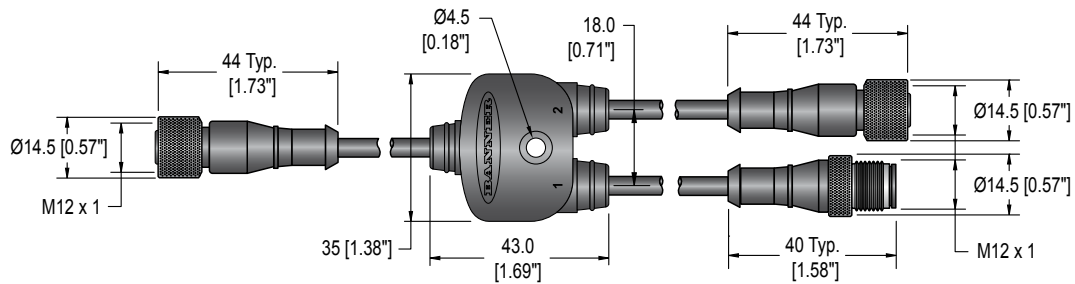
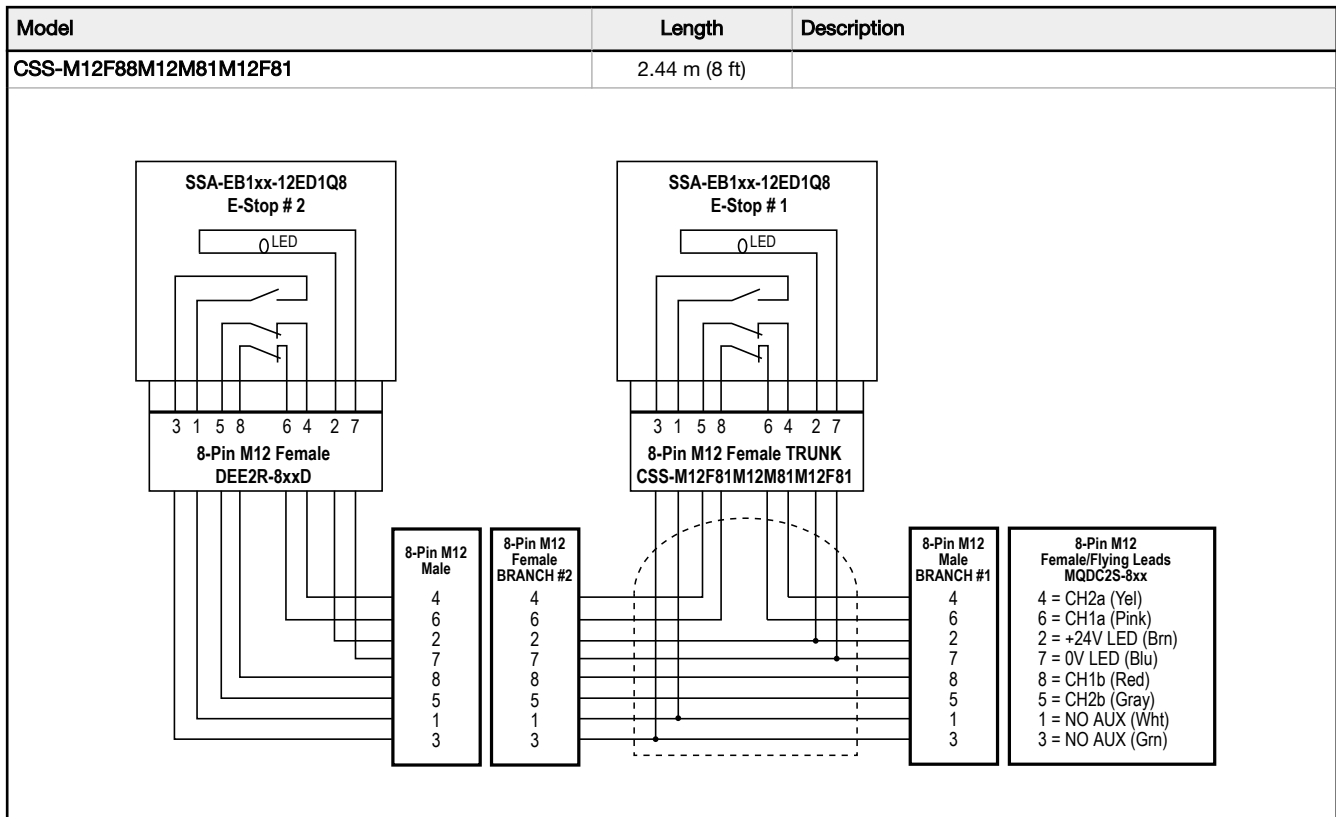


Model	Length	Description
CSS-M12F41M12M41M12F41	0.30 m (1 ft)	4-pin M12 QD splitter cordset for use with SSA-EB1xx-02ED1Q4
CSS-M12F43M12M41M12F41	0.91 m (3 ft)	
CSS-M12F48M12M41M12F41	2.44 m (8 ft)	

⁹ Standard cordsets are yellow PVC with black overmold. For black PVC and overmold, add suffix "B" to model number (example, DEE2R-81DB)



Model	Length	Description
CSS-M12F81M12M81M12F81	0.30 m (1 ft)	8-pin M12 QD splitter cordset for use with SSA-EB1xx-12ED1Q8
CSS-M12F83M12M81M12F81	0.91 m (3 ft)	



U.S. Application Standards

ANSI B11.0 Safety of Machinery; General Requirements and Risk Assessment

ANSI B11.19 Performance Criteria for Safeguarding

ANSI NFPA 79 Electrical Standard for Industrial Machinery

International/European Standards

EN ISO 12100 Safety of Machinery – General Principles for Design – Risk Assessment and Risk Reduction

ISO 13850 (EN 418) Emergency Stop Devices, Functional Aspects – Principles for Design

IEC 62061 Functional Safety of Safety-Related Electrical, Electronic and Programmable Control Systems

EN ISO 13849-1 Safety-Related Parts of Control Systems

IEC/EN 60204-1 Electrical Equipment of Machines Part 1: General Requirements

EN 60947-1 Low Voltage Switchgear – General Rules

EN 60947-5-1 Low Voltage Switchgear – Electromechanical Control Circuit Devices

EN 60947-5-5 Low Voltage Switchgear – Electrical Emergency Stop Device with Mechanical Latching Function

EU Declaration of Conformity (DoC)

Banner Engineering Corp. herewith declares that the **SSA-EB1.. Emergency Stop Push Buttons** is in conformity with the provisions of the Machinery Directive (Directive 2006/42/EC) and all essential health and safety requirements have been met.

Representative in EU: Peter Mertens, Managing Director Banner Engineering Europe. Address: Park Lane, Culliganlaan 2F, bus 3, 1831 Diegem, Belgium.

Banner Engineering Corp Limited Warranty

Banner Engineering Corp. warrants its products to be free from defects in material and workmanship for one year following the date of shipment. Banner Engineering Corp. will repair or replace, free of charge, any product of its manufacture which, at the time it is returned to the factory, is found to have been defective during the warranty period. This warranty does not cover damage or liability for misuse, abuse, or the improper application or installation of the Banner product.

THIS LIMITED WARRANTY IS EXCLUSIVE AND IN LIEU OF ALL OTHER WARRANTIES WHETHER EXPRESS OR IMPLIED (INCLUDING, WITHOUT LIMITATION, ANY WARRANTY OF MERCHANTABILITY OR FITNESS FOR A PARTICULAR PURPOSE), AND WHETHER ARISING UNDER COURSE OF PERFORMANCE, COURSE OF DEALING OR TRADE USAGE.

This Warranty is exclusive and limited to repair or, at the discretion of Banner Engineering Corp., replacement. **IN NO EVENT SHALL BANNER ENGINEERING CORP. BE LIABLE TO BUYER OR ANY OTHER PERSON OR ENTITY FOR ANY EXTRA COSTS, EXPENSES, LOSSES, LOSS OF PROFITS, OR ANY INCIDENTAL, CONSEQUENTIAL OR SPECIAL DAMAGES RESULTING FROM ANY PRODUCT DEFECT OR FROM THE USE OR INABILITY TO USE THE PRODUCT, WHETHER ARISING IN CONTRACT OR WARRANTY, STATUTE, TORT, STRICT LIABILITY, NEGLIGENCE, OR OTHERWISE.**

Banner Engineering Corp. reserves the right to change, modify or improve the design of the product without assuming any obligations or liabilities relating to any product previously manufactured by Banner Engineering Corp. Any misuse, abuse, or improper application or installation of this product or use of the product for personal protection applications when the product is identified as not intended for such purposes will void the product warranty. Any modifications to this product without prior express approval by Banner Engineering Corp will void the product warranties. All specifications published in this document are subject to change; Banner reserves the right to modify product specifications or update documentation at any time. Specifications and product information in English supersede that which is provided in any other language. For the most recent version of any documentation, refer to: www.bannerengineering.com.

For patent information, see www.bannerengineering.com/patents.