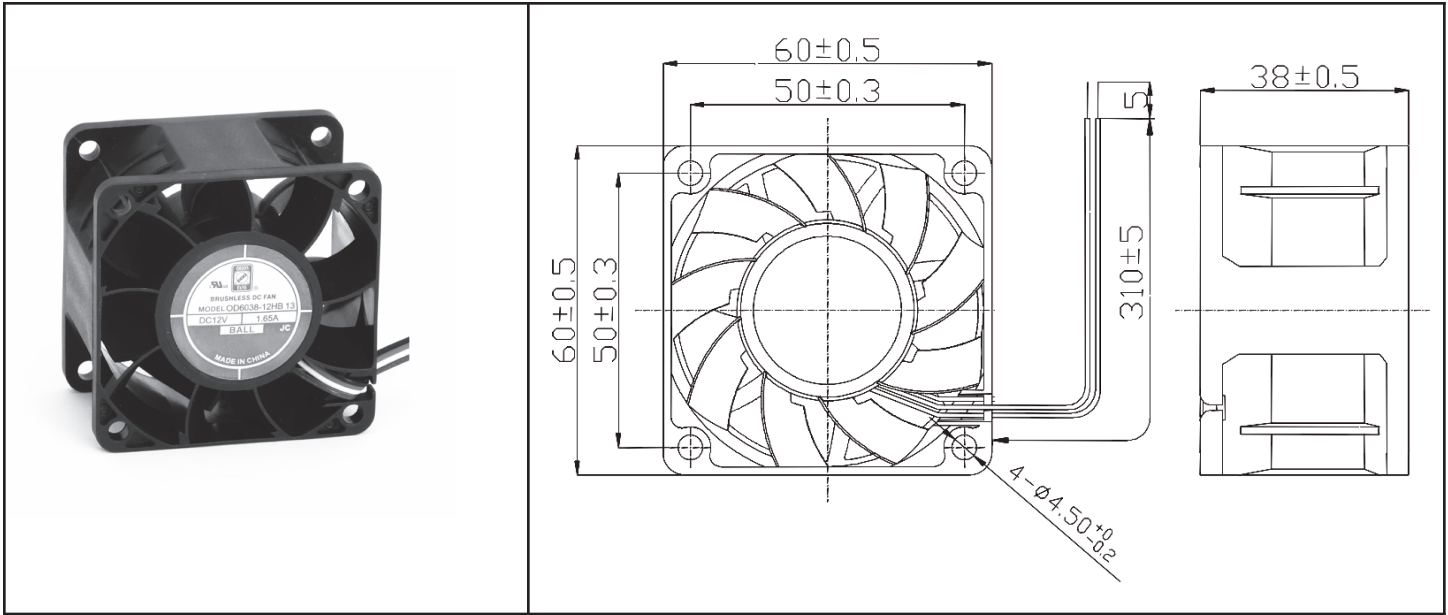


# OD6038 VA Series



DC Fan 12V, 24V - Vaneaxial, High Pressure  
60x38mm (2.36"x 1.5")



Frame & Impeller	PBT, UL94V-0 plastic	<b>Available Options</b> Tachometer (FG) Locked Rotor Alarm (RD) Thermal Control Other speeds and voltages available by special order <b>Life Expectancy (L10)</b> 50,000 hours (40C) Weight: ~ 0.24 lbs. m1	
Connection	2x Lead wires, Red(+), Black (-)		
Motor	Brushless DC, auto restart, polarity protected.		
Bearing System	Dual ball bearing		
Insulation Resistance	Min. 10M at 500VDC		
Dielectric Strength	1 minute at 500 VAC, max leakage < 500 MicroAmp		
Temperature Range	-10C ~ 70C		
Storage Temperature	-40C ~ +80C		

Model Number	Speed (RPM)	Airflow (CFM)	Noise (dB)	Volts DC	Input Power (Watts)	Amps	Max. Static Pressure (\"H <sub>2</sub> O)
OD6038-12HB-VXC	10000	61	64	12	17	1.42	1.59
OD6038-12MB-VXC	8000	48	58	12	8	0.64	0.97
OD6038-12LB-VXC	6000	38	50	12	3	0.28	0.58
OD6038-24HB-VXC	10000	61	64	24	21	0.88	1.59
OD6038-24MB-VXC	8000	48	58	24	10	0.43	0.97
OD6038-24LB-VXC	6000	38	50	24	4	0.20	0.58