

## Datasheet

Mount the laser scanner directly to a surface or use one of the brackets to mount (or protect) the laser scanner.

Model	Ref	Bracket Components	Qty
SX5-MBK-1 Pitch and Roll Adjustment Bracket	1	Pitch Adjusting Bracket	1
	8	Roll Adjusting Bracket	1
	6	Support Bracket and Four M5x10 UNI 5933 Screws	1
	9	M5 Mounting Screws	2
	7	M4x8 UNI 5931 Screw, D4 UNI 6592 Flat Washer, and A4 UNI 1751 Spring Washer	2 each
	5	M5x12 UNI 5933 Screw and M5 Washer	2 each
	4	M5x12 UNI 5933 Screw	2
	3	Memory Bracket	1
	2	M4x8 UNI 5931 Screw, D4 UNI 6592 Flat Washer, and A4 UNI 1751 Spring Washer	1 each

Model	Ref	Bracket Components	Qty
SX5-MBK-1 Pitch Angle Adjustment Bracket (created by removing roll pieces)	1	Pitch Adjusting Bracket	1
	9	M5 Mounting Screws	2
	5	M5x12 UNI 5933 Screw and M5 Washer	2 each
	4	M5x12 UNI 5933 Screw	2
	3	Memory Bracket	1
	2	M4x8 UNI 5931 Screw, D4 UNI 6592 Flat Washer, and A4 UNI 1751 Spring Washer	1 each
SX5-MBK-2 Protection Bracket	1	Head Protection Bracket	1
	2	M5x10 UNI 5933 Screw	2

Customer-supplied equipment: 3 mm Allen Wrench

## Mounting the Protection Bracket

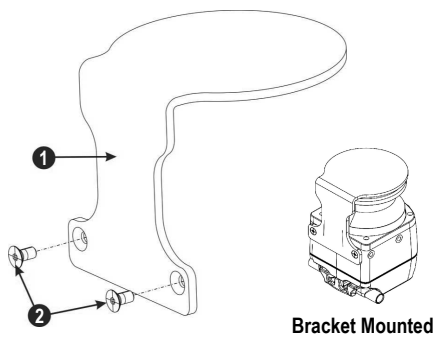


Figure 1. Mounting the SX5-MBK-2 protection bracket to the scanner

The SX5-MBK-2 protection bracket is an optional accessory that provides protection to the scanner if it is located in an environment where the scanner may be hit by falling objects or subject to collision.

Fasten the protection bracket (1) on the back of the scanner using two M5 screws (2) (maximum of 3 N·m torque). Mount the SX5-MBK-2 bracket onto the scanner before installing the other mounting accessories.



**Important:** This protection bracket consumes the mounting holes on the back of the unit. Use other holes to mount the scanner to the machine.

## Mounting the Angle Adjustment Brackets

Provide two M5 holes with 73 mm spacing on the intended wall or mounting surface. The M5 UNI 5933 screws used for mounting the brackets to a wall are not supplied in the bracket mounting kits; they must be supplied by the user.

**Pitch and roll angle adjustment bracket (SX5-MBK-1)**—The bracket system is partially assembled.

1. Remove the M4 roll adjustment screws and washers (7), then align the M5 wall mounting screws (9).
2. Mount the roll adjustment bracket (8) to the wall or panel by inserting two M5 UNI 5933 screws (9). Tighten them, alternating between the two, until they are tight (torque to 2.5 to 3 N·m).
3. Place the assembly of (1) and (6) back onto the roll adjustment bracket (8) (or turn back into place) and re-install the M4 roll adjustment screws and washers (7). Do not tighten the M4 roll adjustment screws for the roll angle.



If only pitch adjustment is desired, the entire SXA-MBK-1 can be used with the roll adjustment centered (level) or the back plates (6 and 8) can be removed and only the pitch adjustment bracket (1) is used to mount the scanner. To remove 6 and 8 first remove the roll adjustment screws (7) to remove the back plate (8). Then remove the four screws that attach (6) to (1) from the back.

The pitch adjustment plate (1) can now be mounted to the 73 mm spaced holes using the M5 UNI 5933 screws (9). Tighten the screws, alternating between the two, until they are tight (2.5 to 3 N·m torque).

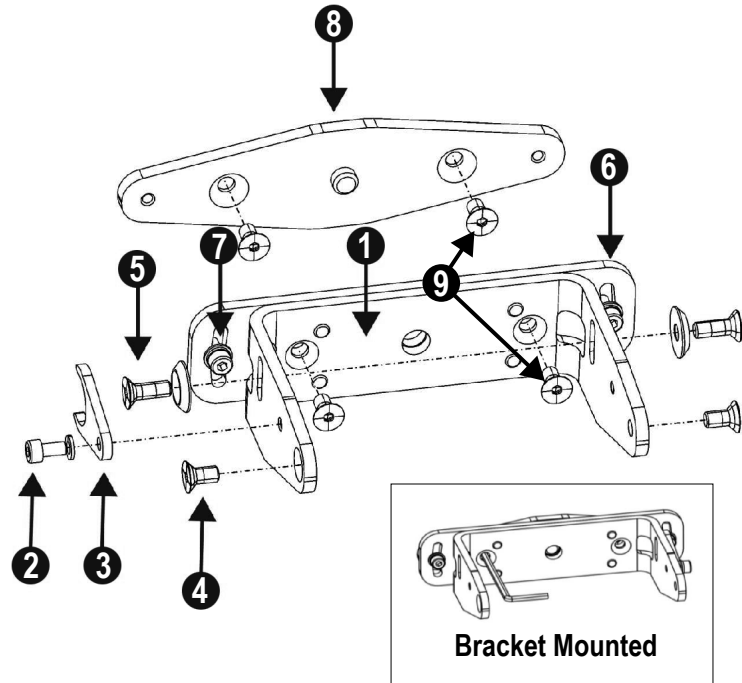


Figure 2. Pitch and roll angle adjustment bracket (SXA-MBK-1)

## Mounting the Scanner and Adjusting the Angle

When mounting the brackets or scanner, do not exceed the listed torque or you will damage the scanner. The pitch angle adjustment procedure applies to both uses of the bracket assemblies.

The Positioning Memory Bracket (one piece) saves the inclination angle set for the installation. This allows for quick installation without further mechanical adjustments if it is ever necessary to replace the unit.

To mount the device with 90° vertical inclination:

1. Mount the Positioning Memory Bracket (3) with the M4 screw (and washer) (2) to the main bracket (1) but do not tighten it.
2. Align the Positioning Memory Bracket with the center of the main bracket slot, then tighten the M4 screw (do not exceed 1.5 to 2 N·m torque).
3. Mount the scanner to the main bracket using the M5 × 12 Pitch Adjustment Screws (with washers) (5) and the M5 × 12 Scanner Fastening Screws (4). Tighten all four screws (do not exceed 2.5 to 3 N·m torque).

To place a device with a specific pitch angle:

1. Screw without tightening the M5 Scanner Fastening Screws, the M5 Pitch Adjusting Screws, and the Positioning Memory Bracket with the M4 screw.
2. Rotate the device to the desired pitch angle within the allowed range ( $\pm 6^\circ$ ).
3. Tighten the M5 Scanner Fastening Screws and then the M5 Pitch Adjusting Screws (do not exceed 2.5 to 3 N·m torque).
4. Tighten the Positioning Memory Bracket M4 screw (do not exceed 1.5 to 2 N·m torque).

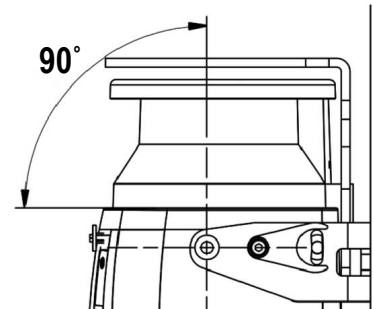


Figure 3. Adjust the scanner angle

## Adjusting the Roll Angle

The roll angle adjustment procedure only applies when all parts of bracket SXA-MBK-1 are used. Rotate the brackets to reach the desired roll angle within the allowed range ( $\pm 8.5^\circ$ ). Tighten the M4 Roll Adjusting Screws (7) (do not exceed 1.5 to 2 N·m torque).

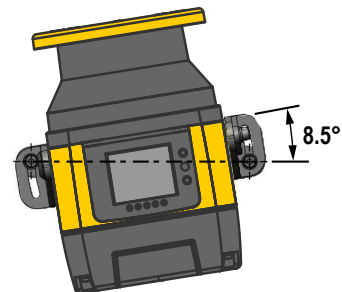


Figure 4. Adjust the roll angle