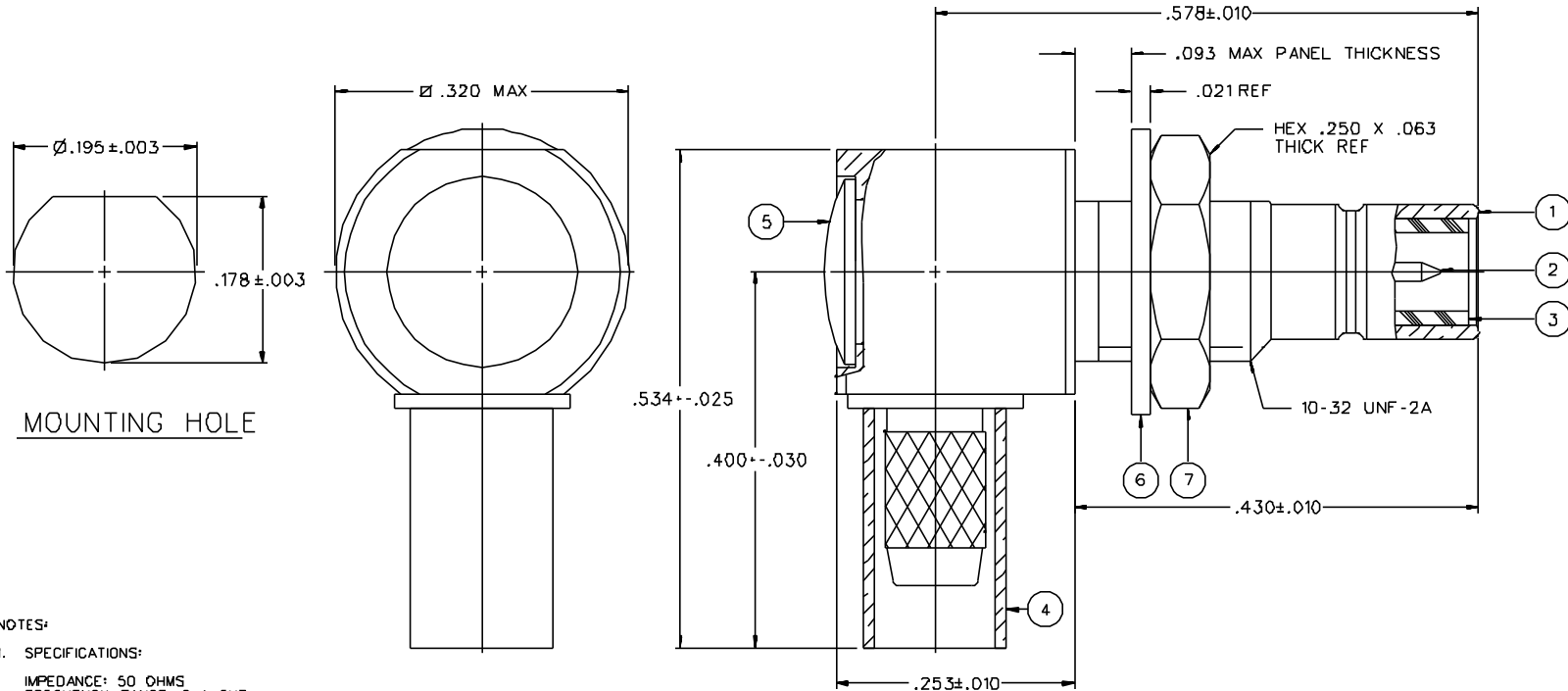


PART NUMBER	ITEM ① BODY - FRONT	ITEM ② CONTACT	ITEM ③ INSULATOR	ITEM ④ CRIMP SLEEVE	ITEM ⑤ END CAP	ITEM ⑥ WASHER	ITEM ⑦ NUT
131-3303-501	BRASS GOLD PL .00001 MIN OVER NICKEL PL .00005 MIN OVER COPPER PL .00005 MIN	BRASS GOLD PL .00003 MIN OVER NICKEL PL .00005 MIN OVER COPPER PL .00005 MIN	TEFLON	COPPER GOLD PL .00001 MIN OVER NICKEL PL .00005 MIN OVER COPPER PL .00005 MIN	BRASS GOLD PL .00001 MIN OVER NICKEL PL .00005 MIN OVER COPPER PL .00005 MIN	PHOSPHOR BRONZE GOLD PL .00001 MIN OVER NICKEL PL .00005 MIN OVER COPPER PL .00005 MIN	BRASS GOLD PL .00001 MIN OVER NICKEL PL .00005 MIN OVER COPPER PL .00005 MIN
131-3303-506	BRASS NICKEL PL .0001 MIN OVER COPPER PL .00005 MIN	BRASS GOLD PL .00003 MIN OVER NICKEL PL .00005 MIN OVER COPPER PL .00005 MIN	TEFLON	COPPER NICKEL PL .0001 MIN OVER COPPER PL .00005 MIN	BRASS NICKEL PL .0001 MIN OVER COPPER PL .00005 MIN	PHOSPHOR BRONZE NICKEL PL .0001 MIN OVER COPPER PL .00005 MIN	BRASS NICKEL PL .0001 MIN OVER COPPER PL .00005 MIN

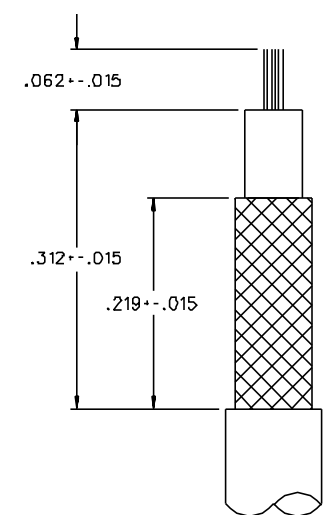
DRAWING NO. C - 131-3303-501/510	
0 REVISIONS	
ENGINEERING RELEASE	
01 09-21-88	EJ/LCS/RJB 9-26-88 ECO 23547
ADDED: (50 OHM CABLE ONLY) TO SPECS "GOLD PLATED INITIAL..." AND "NICKEL PLATED INITIAL..." TO "BRAID TO BODY CHANGED: RF LEAK 2.5 GHZ WAS 2 TO 3 GHZ, RF HIGH POT 4 AND 7 MHZ WAS 5 MHZ DELETED: RG 188A/U, RG 179A/U, RG 179B/U AND RG 187A/U FROM CABLE ACCEPTABILITY	
2 3-31-93	R/R/A/K 4-14-93 H/R/B/H ECO 41747
ADDED: MOUNTING HOLE DETAIL	
3 5-16-94	R/R/A/K 5-19-94 H/R/B/H ECO 42507
CHANGED: UPDATED GRAPHICS	
3a 12-29-94	R/R/A/P 1-3-95 H/K/B/B ECN 42993
VERSION UPDATE	
* REVISION NUMBER FOLLOWED BY AN ALPHA *	
* CHARACTER INDICATES DRAWING CLARIFICATION *	
* CANNOT BE PART NUMBER ADDITION ONLY *	
3b 1-12-98	R/H 46D77 B/E ECN 46D77



MOUNTING HOLE

NOTES:

- SPECIFICATIONS:
 - IMPEDANCE: 50 OHMS
 - FREQUENCY RANGE: 0-4 GHZ
 - VSWR: 1.35+.04 F (F IN GHZ) (50 OHM CABLE ONLY)
 - WORKING VOLTAGE: 335 VRMS MAX AT SEA LEVEL
 - DIELECTRIC WITHSTANDING VOLTAGE: 1000 VRMS MIN AT SEA LEVEL
 - INSULATION RESISTANCE: 1000 MEGOHM MIN
 - CONTACT RESISTANCE:
 - CENTER CONTACT - INITIAL 12 MILLIOHM MAX, AFTER ENVIRONMENTAL 16 MILLIOHM MAX
 - OUTER CONDUCTOR - GOLD PLATED INITIAL 1 MILLIOHM MAX, AFTER ENVIRONMENTAL 1.5 MILLIOHM MAX, NICKEL PLATED INITIAL 2.5 MILLIOHM MAX, AFTER ENVIRONMENTAL 3.5 MILLIOHM MAX
 - BRAID TO BODY - GOLD PLATED INITIAL 1 MILLIOHM MAX, AFTER ENVIRONMENTAL NOT APPLICABLE, NICKEL PLATED INITIAL 2.5 MILLIOHM MAX, AFTER ENVIRONMENTAL NOT APPLICABLE
 - CORONA LEVEL: 250 VOLTS MIN AT 70,000 FEET
 - INSERTION LOSS: .60 DB MAX AT 1.5 GHZ (50 OHM CABLE ONLY)
 - RF LEAKAGE: -.55 DB MIN AT 2.5 GHZ (50 OHM CABLE ONLY)
 - RF HIGH POTENTIAL WITHSTANDING VOLTAGE: 700 VRMS AT 4 AND 7 MHZ
- MECHANICAL:
 - ENGAGE/DISENGAGE FORCE: INITIAL 14 LBS MAX, AFTER DURABILITY 14 LBS MAX, ENGAGEMENT/2 LBS MIN DISENGAGEMENT
 - MATING TORQUE: NOT APPLICABLE
 - COUPLING PROOF TORQUE: NOT APPLICABLE
 - COUPLING NUT RETENTION: NOT APPLICABLE
 - CONTACT RETENTION: 4 LBS MIN AXIAL FORCE
 - CABLE ACCEPTABILITY: RG 188A/U, RG 316A/U, RG 174A/U, RG 161A/U, RG 179A/U, RG 187A/U
 - CABLE HEX CRIMP SIZE: .12B
 - CABLE RETENTION: 20 LBS MIN OR CABLE BREAKING STRENGTH
 - DURABILITY: 500 CYCLES MIN
- ENVIRONMENTAL:
 - (MEETS OR EXCEEDS THE APPLICABLE PARAGRAPH OF MIL-C-39012)
 - THERMAL SHOCK: MIL-STD-202, METHOD 107, CONDITION B
 - OPERATING TEMPERATURE: -65 DEG C TO 165 DEG C
 - CORROSION: MIL-STD-202, METHOD 101, CONDITION B
 - SHOCK: MIL-STD-202, METHOD 213, CONDITION B
 - VIBRATION: MIL-STD-202, METHOD 204, CONDITION B



CABLE STRIP DIMENSIONS

CUSTOMER DRAWING
THIS DRAWING TO BE INTERPRETED PER ANSY 14.5M - 1982
"μSTATION"
COMPANY CONFIDENTIAL

TOLERANCE UNLESS OTHERWISE SPECIFIED	DRAWN BY EJ	DATE 7-27-88	JOHNSON Cinch Connectivity Solutions 299 Johnson Ave. Ste. 100 Waseca, MN 56093 1-800-247-8256	
DECIMALS .XX	CHECKED BY LCS	DATE 9-21-88	TITLE JACK ASSEMBLY RA CABLED BULKHEAD SMB, RG 316	
.XXX	APPROVED BY RJB	DATE 9-21-88	CODE NO.	DRAWING NO. C - 131-3303-501/510
FINISH	RELEASE DATE 9-26-88	SCALE 10:1	U/N INCH	SHEET 2 OF 2