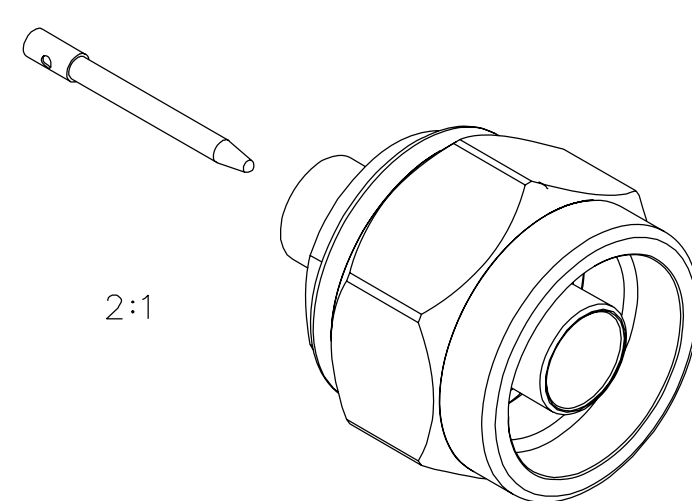
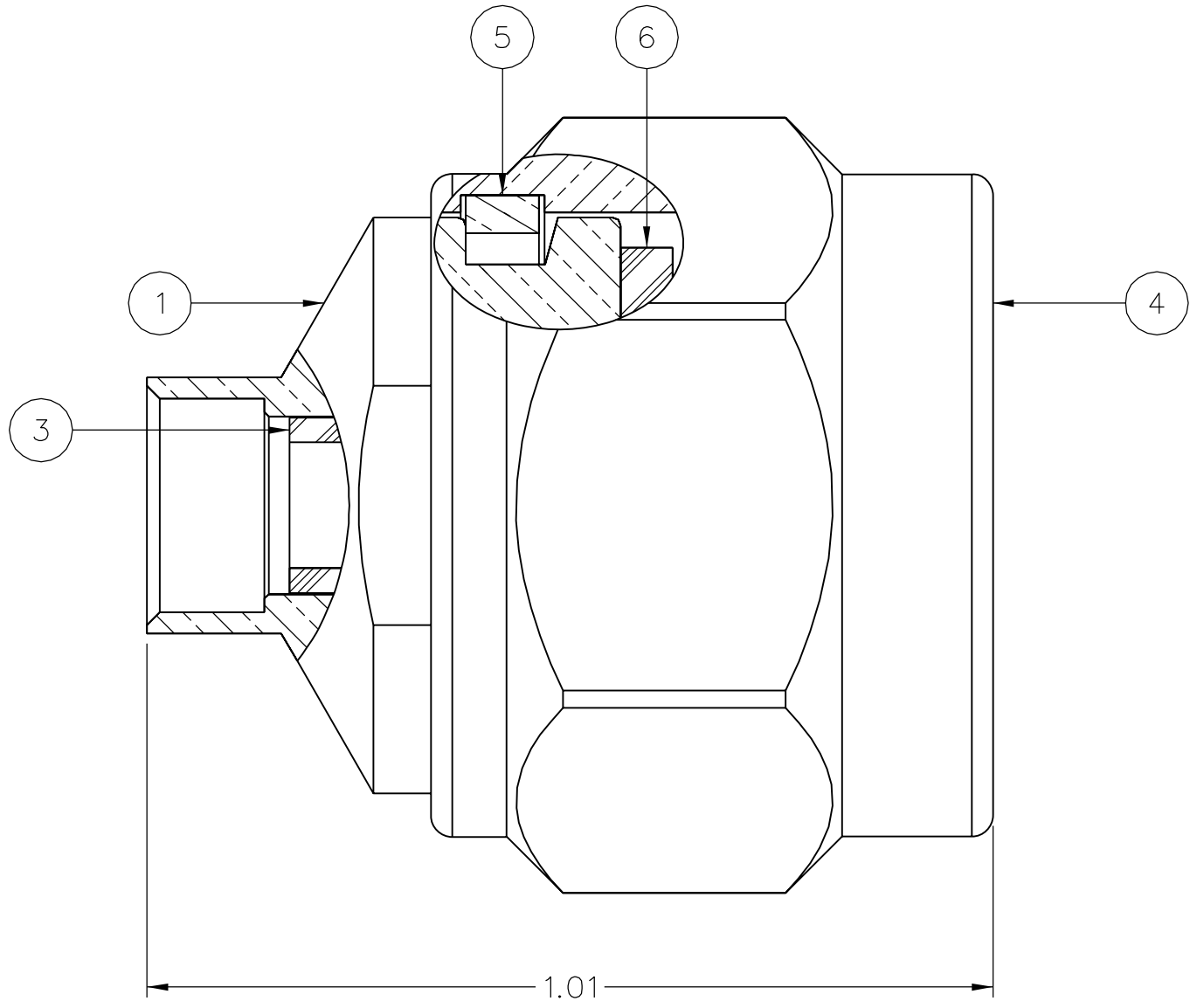
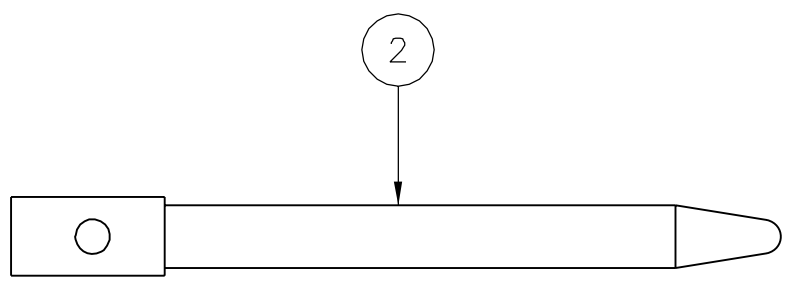
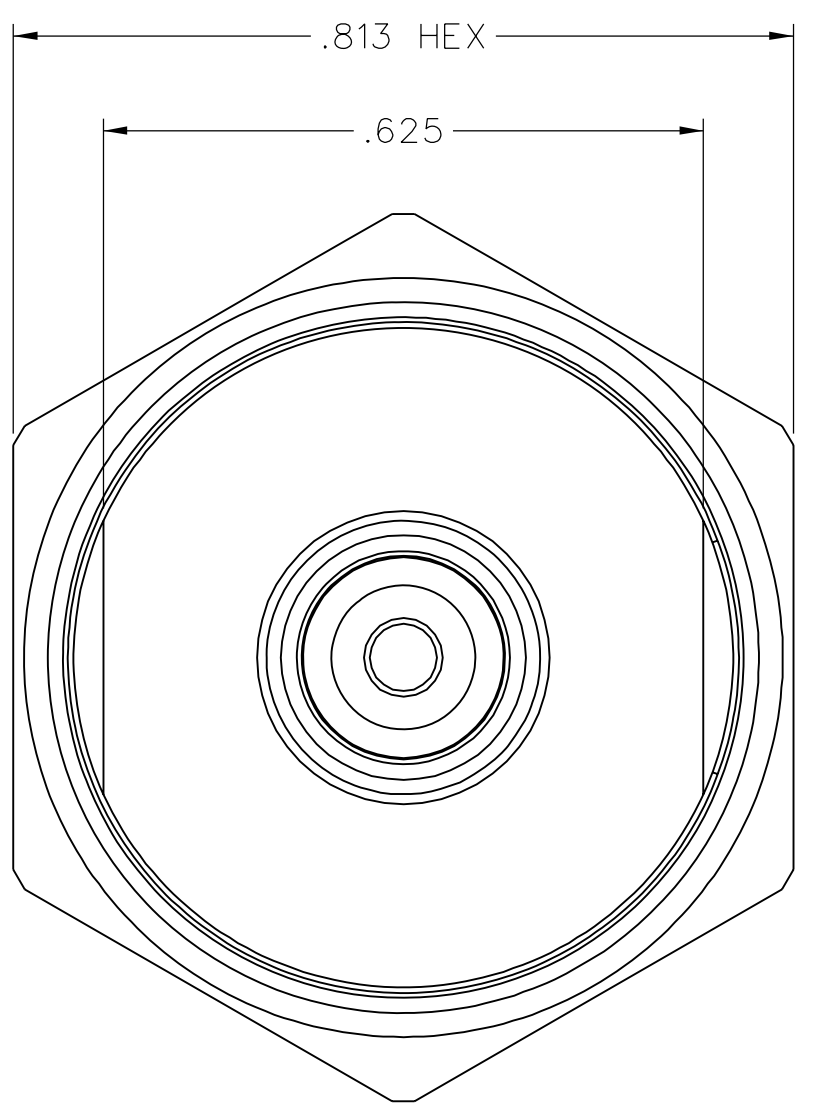


PART NUMBER	ITEM ① BODY	ITEM ② CONTACT	ITEM ③ INSULATOR	ITEM ④ COUPLING NUT	ITEM ⑤ RETENTION SPRING	ITEM ⑥ SEAL GASKET
138-4696-001	BRASS GOLD PL .00001 MIN OVER NICKEL PL .0005 MIN OVER COPPER PL .00005 MIN	BRASS GOLD PL .00005 MIN OVER NICKEL PL .00005 MIN OVER COPPER PL .00005 MIN	TEFLON	BRASS TRI-ALLOY PL .0001 MIN	BERYLLIUM COPPER UNPLATED	SILICONE RUBBER
138-4696-007	BRASS TRI-ALLOY PL .0001 MIN	BRASS GOLD PL .00005 MIN OVER NICKEL PL .00005 MIN OVER COPPER PL .00005 MIN	TEFLON	BRASS TRI-ALLOY PL .0001 MIN	BERYLLIUM COPPER UNPLATED	SILICONE RUBBER



DRAWING NO.  
C - 138-4696-001/010

0	REVISIONS					
ENGINEERING RELEASE						
1	10-11-05	P A T	J R K	P D W	M J U	4-7-06 ECN 49932
DELETE: BODY TO CABLE - 0.05 MILLIOHM MAX SPEC.						
* REVISION NUMBER FOLLOWED BY AN ALPHA *						
* CHARACTER INDICATES DRAWING CLARIFI-						
* CATION OR PART NUMBER ADDITION ONLY. *						
1a	9-15-06	P A T	J R K	P D W		9-21-06 ECN 50625



NOTES:

1. SPECIFICATIONS:

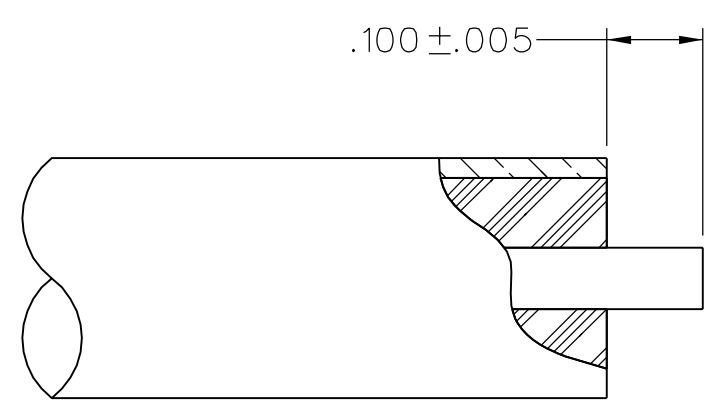
IMPEDANCE: 50 OHMS  
 FREQUENCY RANGE: 0-18 GHz  
 VSWR: 1.06+.01F (GHz) MAX AT 0-11 GHz, TYPICALLY < 1.22 AT 11-18 GHz  
 WORKING VOLTAGE: 1000 VRMS MAX AT SEA LEVEL  
 DIELECTRIC WITHSTANDING VOLTAGE: 2500 VRMS MIN AT SEA LEVEL  
 INSULATION RESISTANCE: 5000 MEGOHM MIN  
 CONTACT RESISTANCE:  
 CENTER CONTACT - INITIAL 1.0 MILLIOHM MAX, AFTER ENVIRONMENTAL 1.5 MILLIOHM MAX  
 OUTER CONDUCTOR - INITIAL 0.2 MILLIOHM MAX, AFTER ENVIRONMENTAL NOT APPLICABLE  
 CORONA LEVEL: 500 VOLTS MIN AT 70,000 FEET  
 INSERTION LOSS: .05√F (GHz), TESTED AT 9 GHz  
 RF LEAKAGE: -90 dB MIN AT 2 TO 3 GHz  
 RF HIGH POTENTIAL WITHSTANDING VOLTAGE: 1500 VRMS AT 4 AND 7 MHz  
 THIRD ORDER INTERMODULATION PRODUCT (IMP3): TYPICALLY < -90 dBm  
 (TESTED PER IEC GUIDELINES WITH 20W CW INPUTS AT 1930-1990 MHz)

MECHANICAL:

ENGAGE/DISENGAGE TORQUE: 6 IN-LBS MAX  
 MATING TORQUE: 7-10 IN-LBS  
 COUPLING PROOF TORQUE: 15 IN-LBS MIN  
 COUPLING NUT RETENTION: 100 LBS MIN  
 CONTACT RETENTION: NOT APPLICABLE  
 CABLE ACCEPTABILITY: RG401, .250 OD SEMIRIGID  
 CABLE HEX CRIMP SIZE: NOT APPLICABLE  
 CABLE RETENTION: 90 LBS MIN AXIAL FORCE  
 80 IN-OZ MIN TORQUE  
 DURABILITY: 500 CYCLES MIN

ENVIRONMENTAL:

(MEETS OR EXCEEDS THE APPLICABLE PARAGRAPH OF MIL-PRF-39012)  
 THERMAL SHOCK: MIL-STD-202, METHOD 107, CONDITION B, EXCEPT 85°C HIGH TEMP  
 OPERATING TEMPERATURE: -65°C TO 165°C  
 CORROSION: MIL-STD-202, METHOD 101, CONDITION B  
 SHOCK: MIL-STD-202, METHOD 213, CONDITION I  
 VIBRATION: MIL-STD-202, METHOD 204, CONDITION B  
 MOISTURE RESISTANCE: MIL-STD-202, METHOD 106



CABLE STRIP DIMENSIONS

CUSTOMER DRAWING

THIS DRAWING TO BE INTERPRETED PER ASME Y 14.5M - 1994

"μSTATION"

COMPANY CONFIDENTIAL

TOLERANCE UNLESS OTHERWISE SPECIFIED		DRAWN BY	DATE
DECIMALS	mm	JRK	10-10-05
.XX REF	---	CHECKED BY	DATE
.XXX REF	---	PDW	4-6-06
MATL	---	APPROVED BY	DATE
		JRK	4-6-06
FINISH	---	RELEASE DATE	4-7-06
		U/M	INCH
		SCALE	5:1



TITLE  
STRAIGHT SOLDER PLUG, TYPE N CONNECTOR, RG401 (.250) SEMI-RIGID

SHEET 2 OF 2  
DRAWING NO. C - 138-4696-001/010