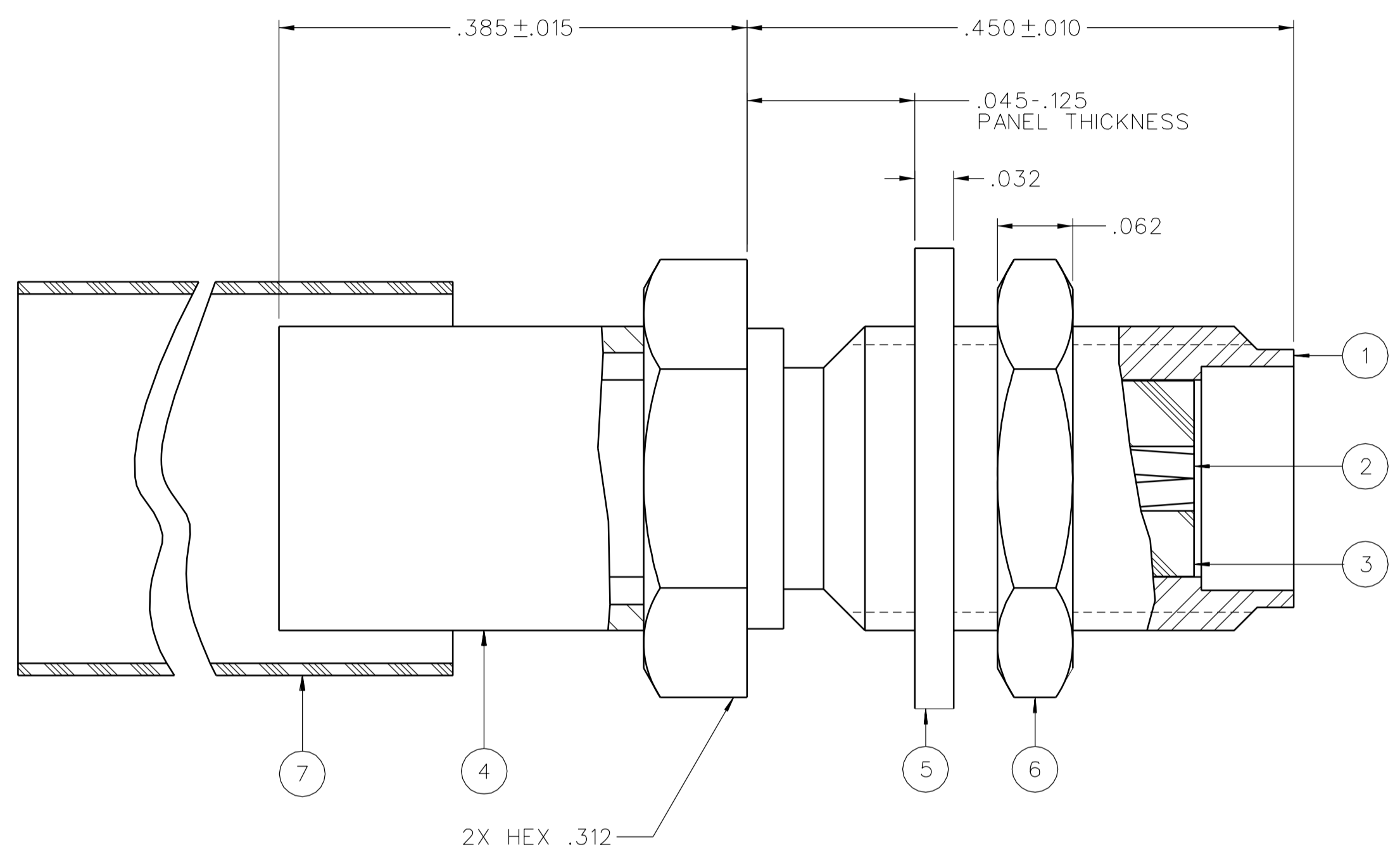


PART NUMBER	ITEM ① BODY	ITEM ② CONTACT	ITEM ③ INSULATOR	ITEM ④ CRIMP SLEEVE	ITEM ⑤ LOCK WASHER	ITEM ⑥ NUT	ITEM ⑦ HEAT SHRINK
141-0307-411	STAINLESS STEEL GOLD PL .00001 MIN OVER NICKEL PL .00005 MIN	BERYLLIUM COPPER GOLD PL .00005 MIN OVER NICKEL PL .00005 MIN OVER COPPER PL .00005 MIN	TEFLON	COPPER GOLD PL .00001 MIN OVER NICKEL PL .00005 MIN OVER COPPER PL .00005 MIN	STAINLESS STEEL GOLD PL .00001 MIN OVER NICKEL PL .00005 MIN	STAINLESS STEEL GOLD PL .00001 MIN OVER NICKEL PL .00005 MIN	POLYOLEFIN COLOR: BLACK
141-0307-412	STAINLESS STEEL PASSIVATED	BERYLLIUM COPPER GOLD PL .00005 MIN OVER NICKEL PL .00005 MIN OVER COPPER PL .00005 MIN	TEFLON	COPPER NICKEL PL .0001 MIN OVER COPPER PL .00005 MIN	STAINLESS STEEL PASSIVATED	STAINLESS STEEL PASSIVATED	POLYOLEFIN COLOR: BLACK

DRAWING NO.  
C - 141-0307-411/420

REVISIONS	
0	REVISIONS
ENGINEERING RELEASE	
1	8-27-92 R H T R P A 9-1-92 E C O 41193
ADDED: ITEM 7 HEAT SHRINK	
2	10-6-92 R H T R P A 10-29-92 E C O 41310
VERSION UPDATE	
***** * REVISION NUMBER FOLLOWED BY AN ALPHA * * CHARACTER INDICATES DRAWING CLARIFI- * * CATION OR PART NUMBER ADDITION ONLY. * *****	
2a	1-31-95 R H S T R P A 10-29-92 W C K B E C N 43186
GRAPHICS & VERSION UPDATE	
3	12-19-05 P S P D 5-12-06 A T D W E C N 50083



NOTES:

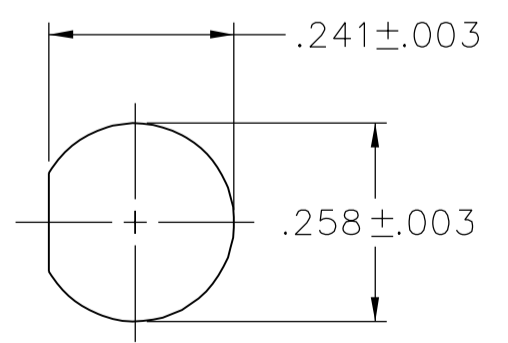
1. SPECIFICATIONS:
- IMPEDANCE: 50 OHMS
  - FREQUENCY RANGE: 0-12.4 GHz
  - VSWR: 1.15+.01F MAX (F IN GHz)
  - WORKING VOLTAGE: 335 VRMS MAX AT SEA LEVEL
  - DIELECTRIC WITHSTANDING VOLTAGE: 1000 VRMS MIN AT SEA LEVEL
  - INSULATION RESISTANCE: 5000 MEGOHM MIN
  - CONTACT RESISTANCE:
    - CENTER CONTACT - INITIAL 3.0 MILLIOHM MAX, AFTER ENVIRONMENTAL 4.0 MILLIOHM MAX
    - OUTER CONDUCTOR - INITIAL 2.0 MILLIOHM MAX AFTER ENVIRONMENTAL NOT APPLICABLE
    - BODY TO CABLE - 0.5 MILLIOHM MAX (GOLD PLATED) 5.0 MILLIOHM MAX (PASSIVATED)
  - CORONA LEVEL: 250 VOLTS MIN AT 70,000 FEET
  - INSERTION LOSS: .06 √F MAX (F IN GHz) AT 6 GHz
  - RF LEAKAGE: -60 DB MIN AT 2.5 GHz
  - RF HIGH POTENTIAL WITHSTANDING VOLTAGE: 670 VRMS MIN AT 4 AND 7 MHz

MECHANICAL:

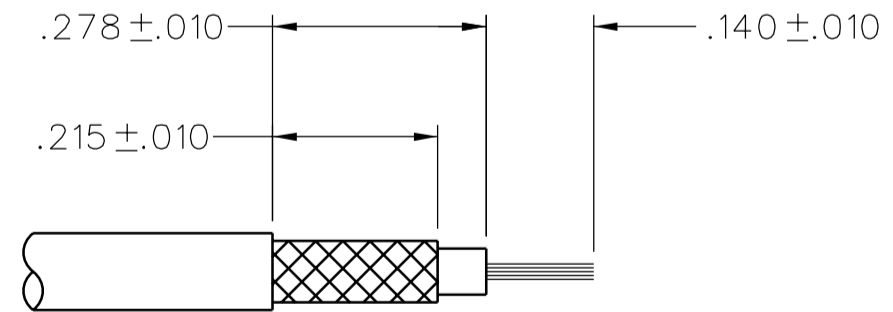
- ENGAGE/DISENGAGE TORQUE: 2 IN-LBS MAX
- MATING TORQUE: 7-10 IN-LBS
- COUPLING PROOF TORQUE: NOT APPLICABLE
- COUPLING NUT RETENTION: NOT APPLICABLE
- CONTACT RETENTION: 6 LBS MIN AXIAL FORCE
- CABLE ACCEPTABILITY: RG 58/U, RG 141/U, RG 303/U
- CABLE HEX CRIMP SIZE: .213
- CONTACT CRIMP TOOL: MIL M22520/1-01
- CABLE RETENTION: 40 LBS MIN AXIAL FORCE
- DURABILITY: 500 CYCLES MIN

ENVIRONMENTAL:

- (MEETS OR EXCEEDS THE APPLICABLE PARAGRAPH OF MIL-PRF-39012)
- THERMAL SHOCK: MIL-STD-202, METHOD 107, CONDITION B, EXCEPT 85° C HIGH TEMP
- OPERATING TEMPERATURE: -65 DEG C TO 165 DEG C
- CORROSION: MIL-STD-202, METHOD 101, CONDITION B
- SHOCK: MIL-STD-202, METHOD 213, CONDITION I
- VIBRATION: MIL-STD-202, METHOD 204, CONDITION D
- MOISTURE RESISTANCE: MIL-STD-202, METHOD 106



MOUNTING HOLE  
4:1



CABLE STRIP DIMENSIONS  
4:1

CUSTOMER DRAWING

THIS DRAWING TO BE INTERPRETED PER ASME Y 14.5M - 1994

"μSTATION"

COMPANY CONFIDENTIAL

TOLERANCE UNLESS OTHERWISE SPECIFIED	DRAWN BY TAK	DATE 7-8-92
DECIMALS _____ mm _____	CHECKED BY	DATE
.XX _____	APPROVED BY RJB/TAK	DATE 8-28-92
.XXX _____	RELEASE DATE 9-1-92	SHEET 2 OF 2
MATL _____	U/M INCH SCALE 10:1	DRAWING NO. C - 141-0307-411/420
FINISH _____		

Cinch Connectivity Solutions  
P.O. Box 1732  
Waseca, MN 56093  
1-800-247-8256

TITLE  
JACK ASSEMBLY  
STRAIGHT CABLED BULKHEAD  
SMA, RG 58