

Banana Jack - Insulated Pierced Lug Terminal

SPECIFICATIONS

Contact: Brass per QQ-B-626D

Finish: Nickel

Hex Head: Molded phenolic

Hardware: Nickel plated nut, fiber insulating washer and stamped tin plated solder terminal (unassembled)

Panel Thickness: Up to .281 (7.15)

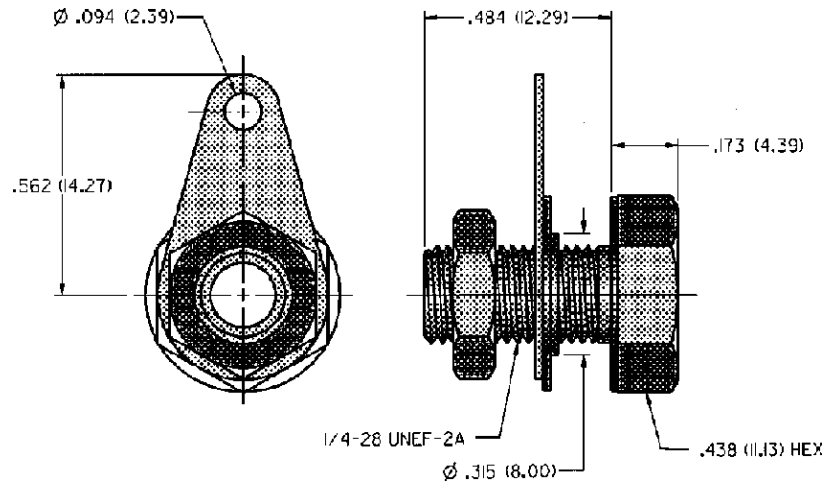
RATINGS

Current: 15 amps

Breakdown Voltage: 1500 Vrms minimum

Contact Resistance: 0.010 ohms maximum

Contact-To-Panel: 2.4 pF nominal



NICKEL PLATING

108-0745-002 Black

For Standard Banana Plug: .175 (4.44) Across Flats

FEATURES:

- Withstands extreme temperatures and abuse
- Stamped tin plated solder terminal with hole for up to 12 gauge wire
- Integrally molded hex head for fast installation