

PART NUMBER	ITEM ① BODY	ITEM ② CONTACT	ITEM ③ INSULATOR	ITEM ④ INSULATOR	PACKAGING
142-D711-301	BRASS GOLD PL .00001 MIN OVER NICKEL PL .00005 MIN OVER COPPER PL .00005 MIN	BERYLLIUM COPPER GOLD PL .00003 MIN OVER NICKEL PL .00005 MIN OVER COPPER PL .00005 MIN	TEFLON	TEFLON	BULK PACK 25 PCS.
142-D711-302	BRASS GOLD PL .00001 MIN OVER NICKEL PL .00005 MIN OVER COPPER PL .00005 MIN	BERYLLIUM COPPER GOLD PL .00003 MIN OVER NICKEL PL .00005 MIN OVER COPPER PL .00005 MIN	TEFLON	TEFLON	TAPE AND REEL 425 PCS. PER FIG 1
142-D711-305	BRASS NICKEL PL .0001 MIN OVER COPPER PL .00005 MIN	BERYLLIUM COPPER GOLD PL .00003 MIN OVER NICKEL PL .00005 MIN OVER COPPER PL .00005 MIN	TEFLON	TEFLON	BULK PACK 25 PCS.
142-D711-306	BRASS NICKEL PL .0001 MIN OVER COPPER PL .00005 MIN	BERYLLIUM COPPER GOLD PL .00003 MIN OVER NICKEL PL .00005 MIN OVER COPPER PL .00005 MIN	TEFLON	TEFLON	TAPE AND REEL 425 PCS. PER FIG 1

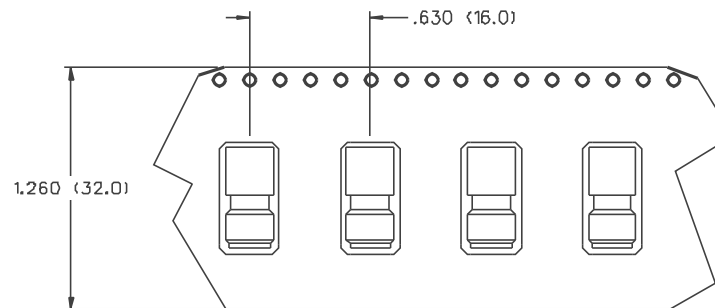
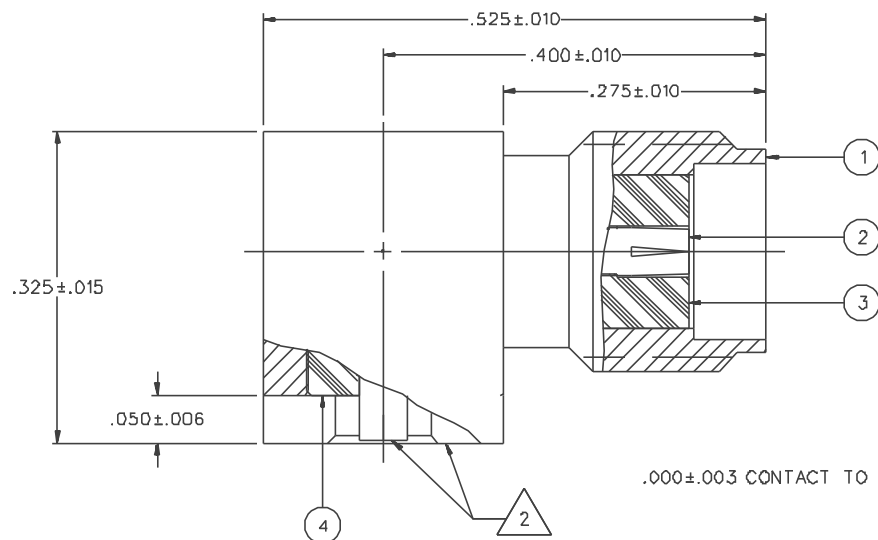
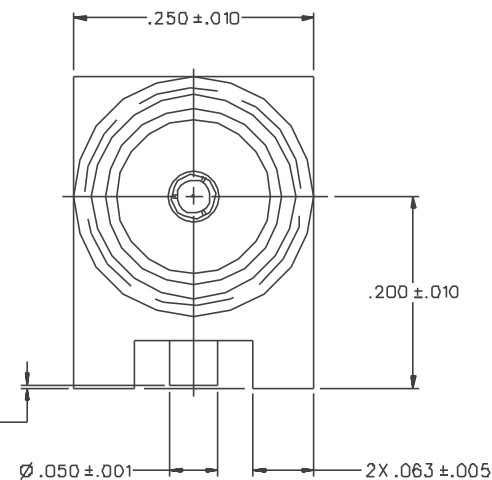


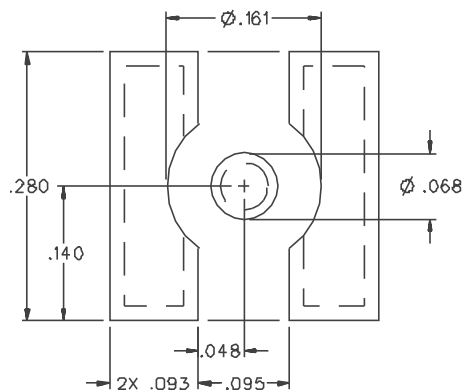
FIG 1  
2:1



.000 ± .003 CONTACT TO BODY



RECOMMENDED LAND  
PATTERN



NOTE:  
APPLY A MAXIMUM OF 10 POUND INCH TORQUE  
TO MATING CONNECTOR COUPLING NUT  
OR FIXTURE BODY OF THIS CONNECTOR WITH A  
WRENCH WHILE TIGHTENING.

\* NOTE: THIS PATTERN IS FOR REFERENCE ONLY.  
PATTERN MAY VARY DEPENDING ON  
ASSEMBLY PROCESS OR SPECIFIC ELECTRICAL  
OR MECHANICAL REQUIREMENTS.

DRAWING NO. C - 142-0711-301/310	
0 REVISIONS	
ENGINEERING RELEASE	
1	7-20-93 R H P 7-30-93 ECD 41835
DELETED: MOISTURE SEAL SPEC	
* REVISION NUMBER FOLLOWED BY AN ALPHA *	
* CHARACTER INDICATES DRAWING CHANGE *	
* CATION OR PART NUMBER ADDITION ONLY *	
1a	7-20-93 R H P ECN 45356
ADDED P/N'S: -302, -306	
ADDED TAPE AND REEL PACKAGING	
.000-.003 WAS .003-.006	
2	5-1-01 R H P ECO 47906

NOTES:

1. SPECIFICATIONS:

IMPEDANCE: 50 OHMS  
FREQUENCY RANGE: 0-18 GHz  
VSWR: NOT APPLICABLE  
WORKING VOLTAGE: 335 VRMS MAX AT SEA LEVEL  
DIELECTRIC WITHSTANDING VOLTAGE: 100D VRMS MIN AT SEA LEVEL  
INSULATION RESISTANCE: 5000 MEGOHM MIN  
CONTACT RESISTANCE:  
CENTER CONTACT - INITIAL 3 MILLIOHM MAX, AFTER ENVIRONMENTAL 4 MILLIOHM MAX  
OUTER CONDUCTOR - INITIAL 2 MILLIOHM MAX, AFTER ENVIRONMENTAL NOT APPLICABLE  
BRAID TO BODY - NOT APPLICABLE  
CORONA LEVEL: 250 VOLTS MIN AT 70,000 FEET  
INSERTION LOSS: NOT APPLICABLE  
RF LEAKAGE: NOT APPLICABLE  
RF HIGH POTENTIAL WITHSTANDING VOLTAGE: 670 VRMS AT 4 AND 7 MHZ

MECHANICAL:

ENGAGE/DISENGAGE TORQUE: 2 INCH-POUNDS MAX  
MATING TORQUE: 7-10 INCH POUNDS MAX  
COUPLING PROOF TORQUE: 10 INCH POUNDS MAX  
COUPLING NUT RETENTION: NOT APPLICABLE  
CONTACT RETENTATION: 6 LBS MIN AXIAL FORCE  
CABLE ACCEPTABILITY: NOT APPLICABLE  
CABLE HEX CRIMP SIZE: NOT APPLICABLE  
CABLE RETENTION: NOT APPLICABLE  
DURABILITY: 500 CYCLES MIN

ENVIRONMENTAL:

(MEETS OR EXCEEDS THE APPLICABLE PARAGRAPH OF MIL-C-39012)  
THERMAL SHOCK: MIL-STD-202, METHOD 107, CONDITION B  
OPERATING TEMPERATURE: -65 DEG C TO 165 DEG C  
CORROSION: MIL-STD-202, METHOD 101, CONDITION B  
SHOCK: MIL-STD-202, METHOD 213, CONDITION 1  
VIBRATION: MIL-STD-202, METHOD 204, CONDITION D

CONNECTOR MOUNTING RAILS 60X/40% TIN/LEAD COATED (SOLDER PLATED)

CUSTOMER DRAWING

THIS DRAWING TO BE INTERPRETED  
PER ANSII Y14.5M - 1982

"µSTATION"

COMPANY CONFIDENTIAL

TOLERANCE UNLESS OTHERWISE SPECIFIED	DRAWN BY <b>VET</b>	DATE 3-1-93	 Cinch Connectivity Solutions 299 Johnson Ave. Ste. 100 Menasha, WI 54952 1-800-247-8256
DECIMALS .XX	CHECKED BY	DATE	
.XXX--.003	APPROVED BY TAK	DATE 7-22-93	TITLE JACK ASSEMBLY, RA SURFACE MOUNT SMA
MATL	APPROVED BY RJB	DATE 7-23-93	CODE NO.
FINISH	RELEASE DATE 7-30-93		DRAWING NO. C - 142-0711-301/310
			SCALE 10:1 U/M INCH(MM) SHEET 2 OF 2