

EDGE CONNECTOR ACCESSORIES

Card Guides Polarizing Keys



Card Guides

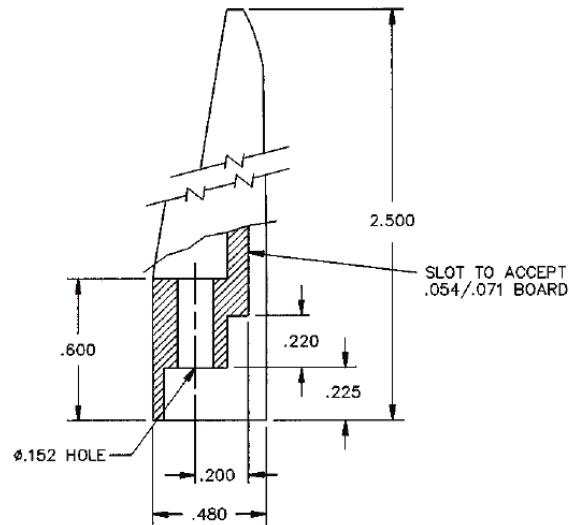
Card guide for .100" (2.54mm) and .156" (3.96mm) density edge connectors. Accepts .062" (1.59mm) thick PC boards. Card guides attach to mounting ears and guide printed circuit board into connector. Order separately.

Material

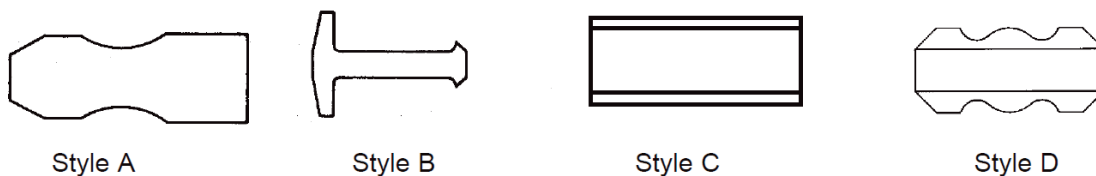
Polypropylene

Part No. 50-GP-1 (Green)

Part No. 50-GP-1B (Black)



Polarizing Keys



Dimensions

| Description | Connector Family | Material | Style | Catalog Number |
|----------------------|------------------|-------------------|-------|----------------|
| Between-contact type | .156" | Cellulose acetate | B | 50-PK |
| In-contact type | .156" | Thermoset plastic | B | 50-PK1 |
| Between-contact type | .156" | Glass epoxy | A | 50-PK2 |



Asia Pacific
+86 21 5442 7668
ccs.asia.sales@as.cinch.com

Europe, Middle East & Africa
+44 (0) 1245 342060
CinchConnectivity@eu.cinch.com

North America
+1 630 705 6000
Inquiry@us.cinch.com

belfuse.com/cinch