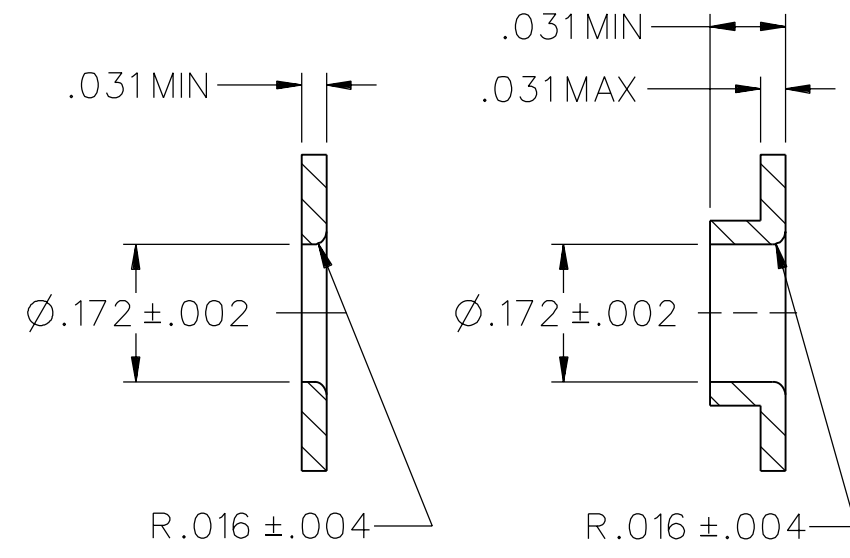


PART NUMBER	ITEM ①	ITEM ②	ITEM ③
	BODY	CONTACT	SPRING
105-1041-001	NYLON	WHITE	BRASS SILVER PL .0001 MIN BERYLLIUM COPPER SILVER PL .0001 MIN OVER COPPER PL .00005 MIN
105-1042-001		RED	
105-1043-001		BLACK	
105-1044-001		GREEN	
105-1045-001			
105-1046-001		ORANGE	
105-1047-001		YELLOW	
105-1048-001		BROWN	
105-1049-001			
105-1050-001		BLUE	
105-1051-001			
105-1052-001		VIOLET	
105-1053-001		GRAY	
105-1054-001			
105-1055-001			
105-1056-001			
105-1057-001			
105-1058-001			
105-1059-001			
105-1060-001			



MOUNTING HOLE OPTIONS

DRAWING NO. B - 105-1041/1060-001			
0 REVISIONS			
REVISED AND REDRAWN. DRAWING WAS "C" SIZE 105-1041/1060-001/100 DATED 3-29-88. SPLIT INTO SEPERATE DWGS.			
17c	9-26-95	R H	R J B
			ECN 43725
8 LBS WAS 15 LBS ***** * REVISION NUMBER FOLLOWED BY AN ALPHA * * CHARACTER INDICATES DRAWING CLARIFI- * CATION OR PART NUMBER ADDITION ONLY. * *****			
17d	5-7-02	R J B	5-16-02 ECN 48396

NOTES:

SPECIFICATIONS:

ELECTRICAL:

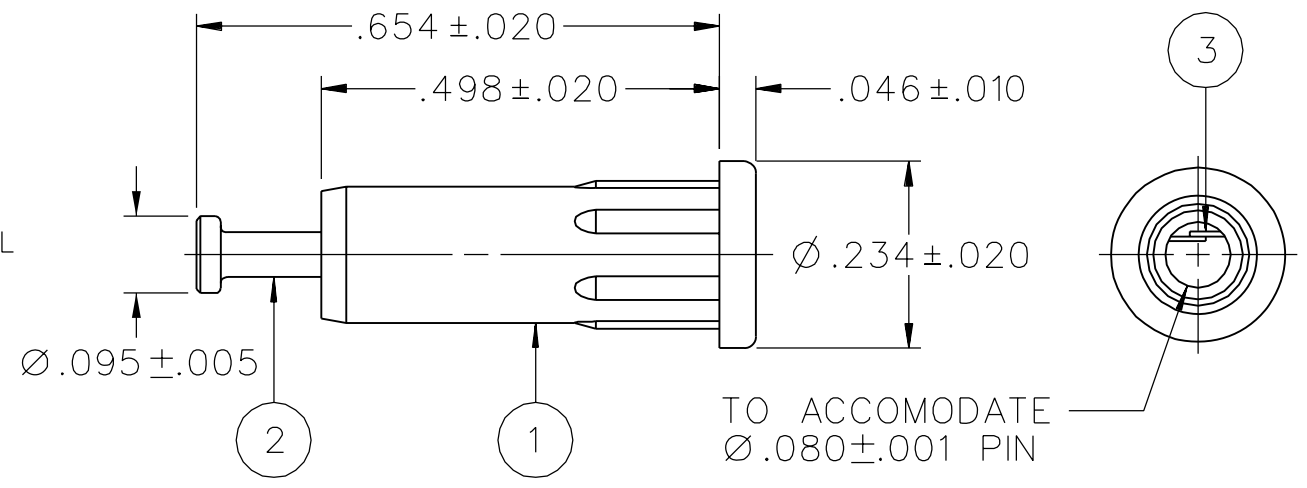
CURRENT RATING: 10 AMPS DC MINIMUM
 DIELECTRIC WITHSTANDING VOLTAGE: 3500 VRMS MINIMUM AT SEA LEVEL
 RECOMMENDED WORKING VOLTAGE: 1750 VRMS MAXIMUM AT SEA LEVEL
 INSULATION RESISTANCE: 5000 MEGOHMS MINIMUM
 CONTACT RESISTANCE: 10 MILLIOHMS MAXIMUM
 CAPACITANCE: 2 PF NOMINAL

MECHANICAL:

INSERTION/WITHDRAWAL FORCE: .5 - 5.0 POUNDS
 CONTACT RETENTION IN INSULATOR FORCE: 8 POUNDS MINIMUM
 CONTACT RETENTION IN INSULATOR TORQUE: 12 IN OZ MINIMUM
 INSULATOR RETENTION IN .062 PANEL FORCE: 15 POUNDS MINIMUM
 INSULATOR RETENTION IN SLEEVE FORCE: NOT APPLICABLE
 INSULATOR RETENTION IN .062 PANEL TORQUE: NOT APPLICABLE
 PLASTIC MOUNTING THREAD STRIPPING TORQUE: NOT APPLICABLE
 RESISTANCE TO TEST PROBE DAMAGE TORQUE: NOT APPLICABLE
 MATING TIP PLUG DIAMETER: .080
 DURABILITY: 1000 CYCLES MINIMUM

ENVIRONMENTAL:

(MEETS OR EXCEEDS THE APPLICABLE PARAGRAPH OF MIL-C-39024)
 OPERATING TEMPERATURE: -55 DEG C TO 85 DEG C
 TEMPERATURE RISE AT RATED CURRENT: 10 DEG C MAXIMUM
 CORROSION: MIL-STD-1344, METHOD 1001, CONDITION B
 SHOCK: MIL-STD-1344, METHOD 2004, CONDITION G
 VIBRATION: MIL-STD-1344, METHOD 2005, CONDITION I
 HUMIDITY: MIL-STD-1344, METHOD 1002, CONDITION B




CUSTOMER DRAWING

THIS DRAWING TO BE INTERPRETED PER ASME Y 14.5M - 1994

"μ STATION"

COMPANY CONFIDENTIAL

TOLERANCE UNLESS OTHERWISE SPECIFIED		DRAWN BY RSH	DATE 9-6-95	 Cinch CONNECTIVITY SOLUTIONS a bel group	Cinch Connectivity Solutions P.O. Box 1732 Waseca, MN 56093 1-800-247-8256	
DECIMALS	mm	CHECKED BY	DATE		TITLE ASSEMBLY, .080 (2.0mm) TIP JACK, INSULATED RIB-LOC PANEL MOUNT, TURRET TERMINAL	
.XX	_____			SHEET 2 OF 2		
.XXX REF	_____	APPROVED BY RJB	DATE 9-27-95			
MATL	_____	RELEASE DATE	10-9-95			
FINISH	_____	U/M	INCH	SCALE	4:1	