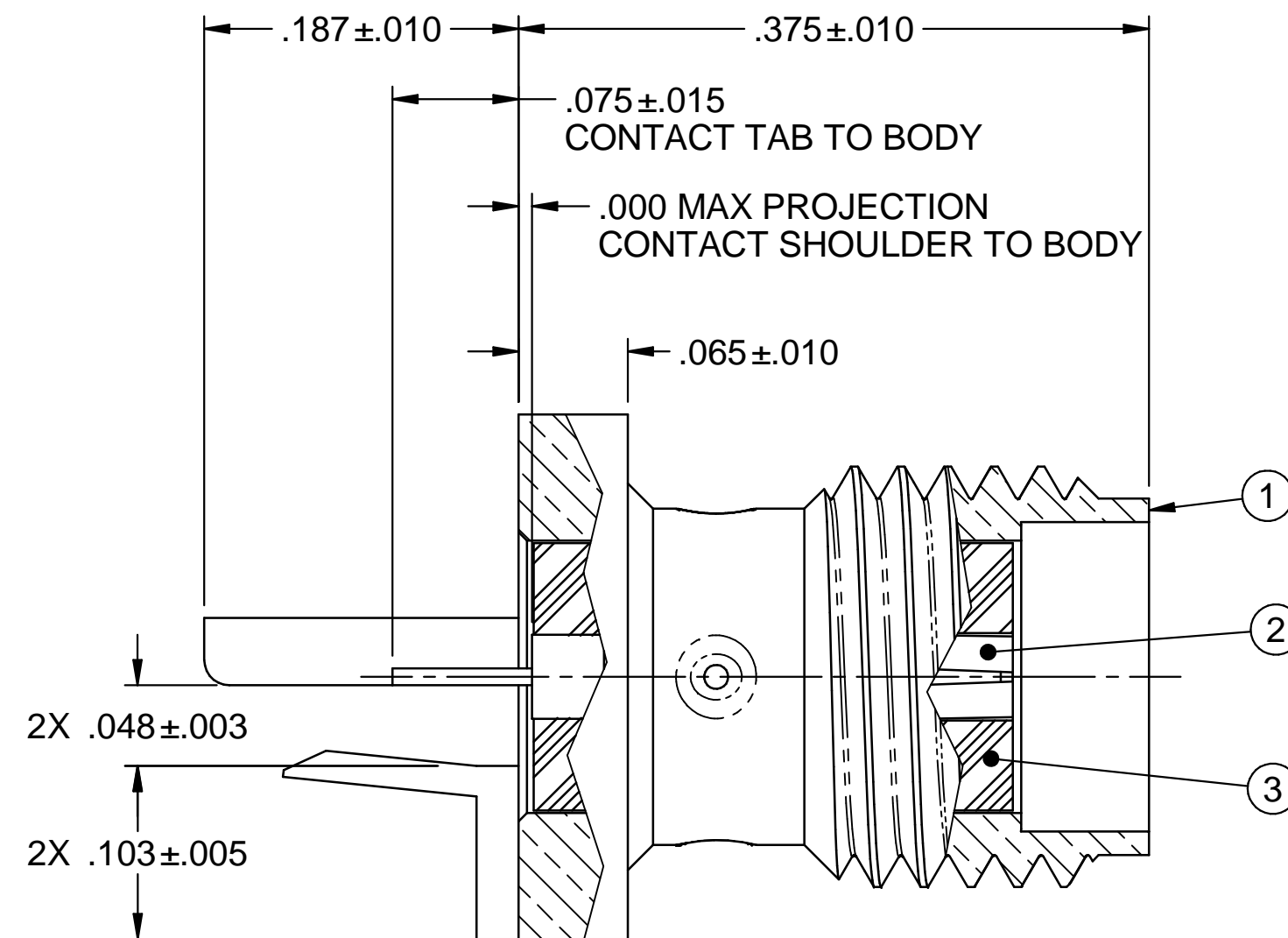
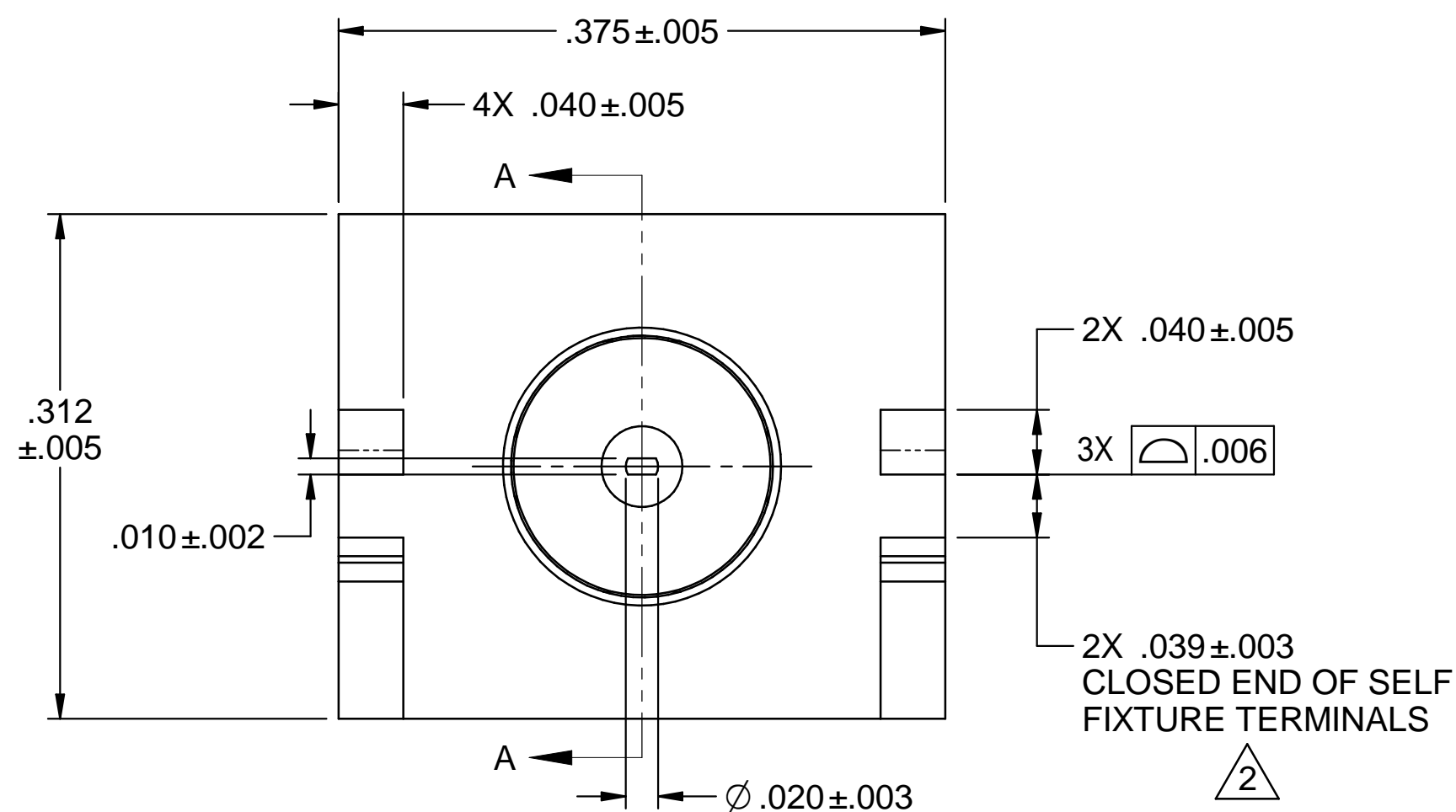


PART NUMBER	ITEM 1 BODY	ITEM 2 CONTACT	ITEM 3 INSULATOR
142-0791-811	BRASS GOLD PL .00001 MIN OVER NICKEL PL .00005 MIN OVER COPPER PL .00005 MIN	BERYLLIUM COPPER GOLD PL .00005 MIN OVER NICKEL PL .00005 MIN OVER COPPER PL .00005 MIN	TEFLON

ZONE	REV	ECO	DESCRIPTION	APPR.	DATE
	1	52060		TAK	10/13/09
	1A	53955		TAK	1/16/12



NOTES: UNLESS OTHERWISE SPECIFIED.

1. SPECIFICATIONS:

ELECTRICAL:

- IMPEDANCE: 50 OHMS
- FREQUENCY RANGE: 0-18 GHz (10 GHz MAX TYPICAL CIRCUIT BOARD TRANSITION)
- WORKING VOLTAGE: 335 VRMS MAX AT SEA LEVEL
- DIELECTRIC WITHSTANDING VOLTAGE: 1000 VRMS MIN AT SEA LEVEL
- INSULATION RESISTANCE: 5000 MEGOHMS MIN
- CONTACT RESISTANCE: CENTER CONTACT - INITIAL 3 MILLIOHMS MAX
AFTER ENVIRONMENTAL- 4 MILLIOHMS MAX
- OUTER CONDUCTOR - INITIAL 2.0 MILLIOHMS MAX
AFTER ENVIRONMENTAL - N/A
- CORONA LEVEL: 250 VOLTS MIN AT 70,000 FEET
- RF HIGH POTENTIAL WITHSTANDING VOLTAGE: 670 VRMS MIN AT 4 AND 7 MHz

MECHANICAL:

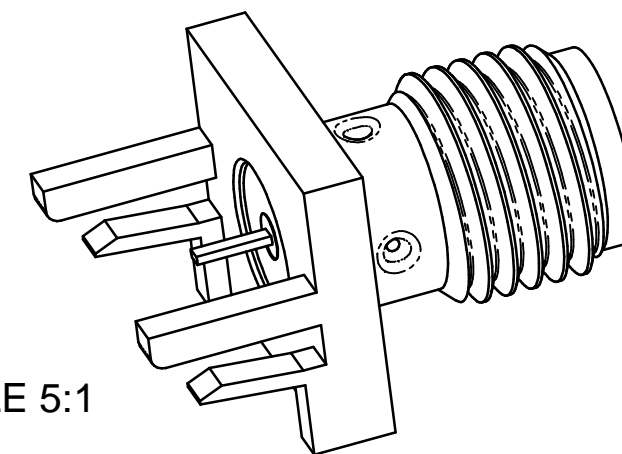
- ENGAGEMENT/DISENGAGEMENT TORQUE: 2 INCH POUNDS MAX
- MATING TORQUE: 7-10 INCH POUNDS
- CONTACT RETENTION: 6 LBS MIN AXIAL FORCE
4 OZ-IN MIN RADIAL TORQUE
- DURABILITY: 500 CYCLES MIN

ENVIRONMENTAL:

- (MEETS OR EXCEEDS THE APPLICABLE PARAGRAPH OF MIL-PRF-39012)
- THERMAL SHOCK: MIL-STD-202, METHOD 107, CONDITION B
- OPERATING TEMPERATURE: -65°C TO 165°C
- CORROSION: MIL-STD-202, METHOD 101, CONDITION B
- SHOCK: MIL-STD-202, METHOD 213, CONDITION I
- VIBRATION: MIL-STD-202, METHOD 204, CONDITION D
- MOISTURE RESISTANCE: MIL-STD-202, METHOD 106

2. ALL CONNECTOR TERMINALS SHALL BE SOLDERED TO THE CIRCUIT BOARD.

3. RECOMMENDED CIRCUIT BOARD THICKNESS: .042



SCALE 5:1

	Model No. 142-0791-811/820		JOHNSON		
	Cage Code 34078		Title SMA JACK SELF FIXTURE END LAUNCH	Material	
	3RD ANGLE PROJECTION - ⊕ -		Drawing No. 142-0791-811/820	Rev. 1A	Finish
	UNLESS OTHERWISE SPECIFIED UNITS: INCHES	Drawn by TAK Date 9/18/07	Approved by TAK Date 10/13/09	Size C	DO NOT SCALE DRAWING
			Sheet 1 of 2		