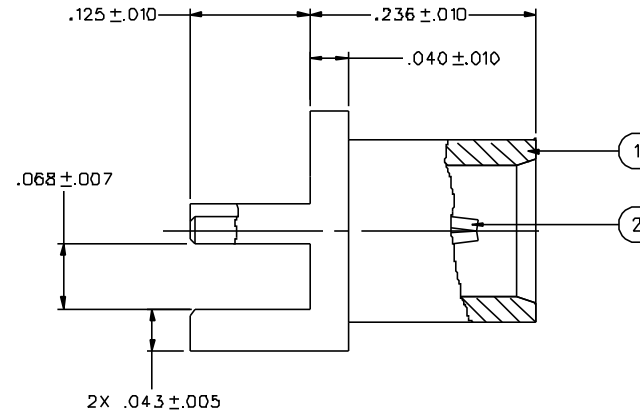
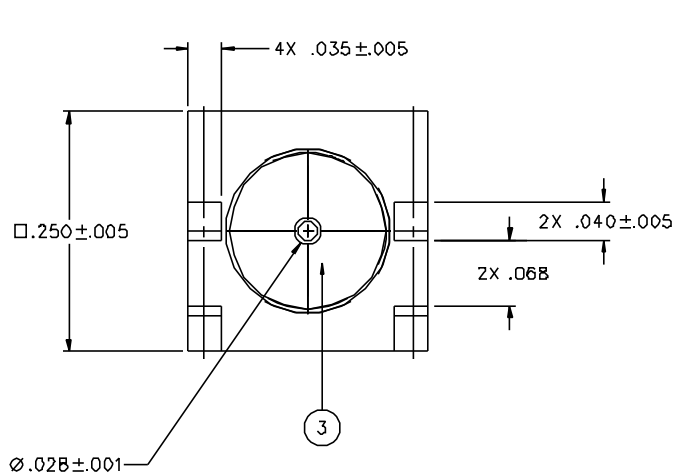


| PART NUMBER | ITEM ① BODY | ITEM ② CONTACT | ITEM ③ INSULATOR |
|--------------|---|--|---------------------|
| 133-8701-BD1 | BRASS GOLD PL .00001 MIN OVER NICKEL PL .00005 MIN OVER COPPER PL .00005 MIN | BERYLLIUM COPPER GOLD PL .00003 MIN OVER NICKEL PL .00005 MIN OVER COPPER PL .00005 MIN | TEFLON |



NOTES:

1. SPECIFICATIONS:

IMPEDANCE: 75 OHMS
 FREQUENCY RANGE: 0-6 GHz
 VSWR: NOT APPLICABLE
 WORKING VOLTAGE: 335 VRMS MAX AT SEA LEVEL
 DIELECTRIC WITHSTANDING VOLTAGE: 1000 VRMS MIN AT SEA LEVEL
 INSULATION RESISTANCE: 1000 MEGOHM MIN
 CONTACT RESISTANCE:
 CENTER CONTACT - INITIAL 5 MILLIOHM MAX, AFTER ENVIRONMENTAL 8 MILLIOHM MAX
 OUTER CONDUCTOR - INITIAL 1 MILLIOHM MAX, AFTER ENVIRONMENTAL 1.5 MILLIOHM MAX
 BRAID TO BODY - NOT APPLICABLE
 CORONA LEVEL: 250 VOLTS MINIMUM AT 70,000 FEET
 INSERTION LOSS: NOT APPLICABLE
 RF LEAKAGE: NOT APPLICABLE
 RF HIGH POTENTIAL WITHSTANDING VOLTAGE: 600 VRMS AT 4 & 7 MHZ

MECHANICAL:

ENGAGE/DISENGAGE FORCE: 5.6 LBS MAX ENGAGEMENT
 1.0 LB MIN DISENGAGEMENT
 8.0 LBS MAX DISENGAGEMENT
 CONTACT RETENTION FORCE: 2.3 LBS MIN AXIAL FORCE
 CONTACT RETENTION TORQUE: NOT APPLICABLE
 COUPLING MECHANISM RETENTION: NOT APPLICABLE
 CABLE ACCEPTABILITY: NOT APPLICABLE
 CABLE HEX CRIMP SIZE: NOT APPLICABLE
 CABLE RETENTION: NOT APPLICABLE
 DURABILITY: 500 CYCLES MIN

ENVIRONMENTAL:

(MEETS OR EXCEEDS THE APPLICABLE PARAGRAPH OF MIL-C-39012)
 THERMAL SHOCK: MIL-STD-202, METHOD 107, CONDITION F
 OPERATING TEMPERATURE: -65 DEG C TO 165 DEG C
 CORROSION: MIL-STD-202, METHOD 101, CONDITION B
 SHOCK: MIL-STD-202, METHOD 213, CONDITION B
 VIBRATION: MIL-STD-202, METHOD 204, CONDITION B

| | |
|--|------------------------------------|
| DRAWING NO. C - 133-8701-801/810 | |
| 0 REVISIONS | |
| ENGINEERING RELEASE | |
| 1 | 3-11-99 R H A T B 4-6-99 ECN 46171 |
| DELETED: P/N 133-8701-B06 | |
| 1a | 7-22-99 R H A T B ECN 46518 |
| CHANGED: .035 WAS .032, .040 WAS .065 DELETED: 3.0 LB TYPICAL ENGAGEMENT, 1.0 LB MIN ADDED: 1.0 LB MIN DISENGAGEMENT, 8.0 LBS MAX DISENGAGEMENT | |
| ***** REVISION NUMBER FOLLOWED BY AN ALPHA ***** * CHARACTER INDICATED DRAWING CLASS * * CATION OR PART NUMBER ADDITION ONLY * ***** | |
| 1b | 11-9-D1 S K L B ECN 47568 |

CUSTOMER DRAWING

THIS DRAWING TO BE INTERPRETED PER ANS Y 14.5M - 1982

"μSTATION"

COMPANY CONFIDENTIAL

| | | | | |
|--------------------------------------|--------------------|-----------------|--|-------------------------------------|
| TOLERANCE UNLESS OTHERWISE SPECIFIED | DRAWN BY KAS | DATE 8/6/98 | JOHNSON Cinch Connectivity Solutions 299 Johnson Ave. Ste. 100 Waukegan, MN 55095 1-800-247-8256 | |
| DECIMALS .XX | CHECKED BY KAS | DATE 3-12-99 | TITLE MCX 75 OHM, END LAUNCH JACK | |
| .XXX +-.003 | APPROVED BY TAK | DATE 3-22-99 | | |
| MATL | APPROVED BY RJB | DATE 3-23-99 | CODE NO. | DRAWING NO. C - 133-8701-801/810 |
| FINISH | RELEASE DATE | 4-6-99 | SCALE | 10:1 U/M INCH SHEET 2 OF 2 |