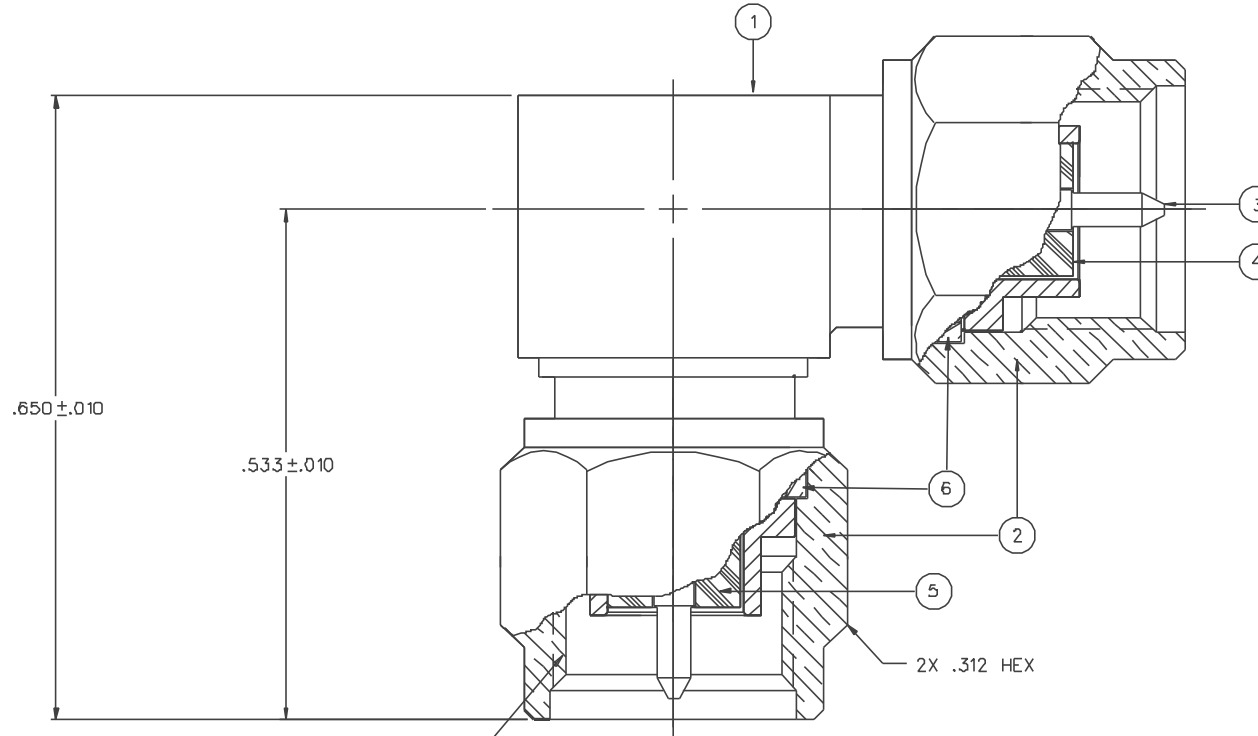


|                             |   |  |  |                               |                               |  |
|-----------------------------|---|--|--|-------------------------------|-------------------------------|--|
| PART NUMBER<br>142-0901-931 | ITEM ①<br>BODY SUBASSEMBLY<br>BRASS<br>GOLD PL .00001 MIN OVER<br>NICKEL PL .00005 MIN OVER<br>COPPER PL .00005 MIN | ITEM ②<br>NUT<br>BRASS<br>GOLD PL .00001 MIN OVER<br>NICKEL PL .00005 MIN OVER<br>COPPER PL .00005 MIN | ITEM ③<br>CONTACT - ONE PIECE<br>BRASS<br>GOLD PL .00005 MIN OVER<br>NICKEL PL .00005 MIN OVER<br>COPPER PL .00005 MIN | ITEM ④<br>INSULATOR<br>TEFLON | ITEM ⑤<br>INSULATOR<br>TEFLON | ITEM ⑥<br>RETENTION SPRING<br>BERYLLIUM COPPER<br>UNPLATED |
|-----------------------------|---|--|--|-------------------------------|-------------------------------|--|

|                                     |                                 |
|-------------------------------------|---------------------------------|
| DRAWING NO.<br>C - 142-0901-931/940 |                                 |
| 0                                   | REVISIONS                       |
| ENGINEERING RELEASE                 |                                 |
| 1                                   | 10-30-98 R H K T R<br>ECN 46002 |



NOTES:

1. SPECIFICATIONS:

IMPEDANCE: 50 OHMS  
 FREQUENCY RANGE: 0-14 GHZ  
 VSWR: 1.035-.02F (F IN GHZ)  
 WORKING VOLTAGE: 500 VRMS MAX AT SEA LEVEL  
 DIELECTRIC WITHSTANDING VOLTAGE: 1500 VRMS MIN AT SEA LEVEL  
 INSULATION RESISTANCE: 5000 MEGOHM MIN  
 CONTACT RESISTANCE:  
 CENTER CONTACT - INITIAL 4.0 MILLIOHM MAX, AFTER ENVIRONMENTAL 6.0 MILLIOHM MAX  
 OUTER CONDUCTOR - INITIAL 2.0 MILLIOHM MAX AFTER ENVIRONMENTAL NOT APPLICABLE  
 BRAID TO BODY - NOT APPLICABLE  
 CORONA LEVEL: 375 VOLTS MIN AT 70,000 FEET  
 INSERTION LOSS: .06√F (F IN GHZ) AT 6 GHZ  
 RF LEAKAGE: NOT APPLICABLE  
 RF HIGH POTENTIAL WITHSTANDING VOLTAGE: 1000 VRMS AT 4 AND 7 MHZ

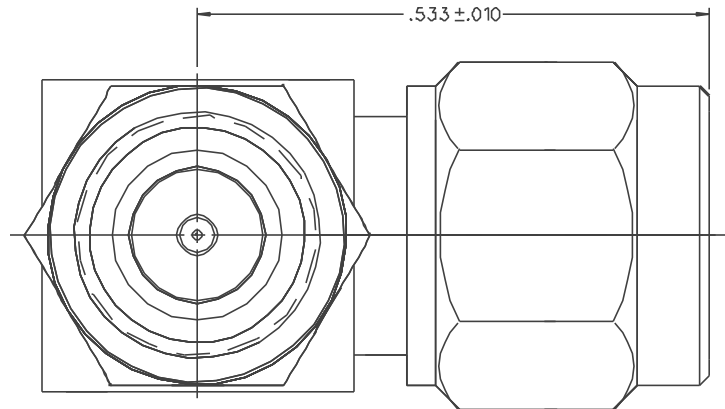
MECHANICAL:

ENGAGE/DISENGAGE TORQUE: 2 INCH-POUNDS MAX  
 MATING TORQUE: 7-10 INCH POUNDS  
 COUPLING PROOF TORQUE: 15 IN-LB MIN  
 COUPLING NUT RETENTION: 60 LBS MIN  
 CONTACT RETENTION: 6 LBS MIN AXIAL FORCE  
 4 IN-OZ MIN RADIAL TORQUE

CABLE ACCEPTABILITY: NOT APPLICABLE  
 CABLE HEX CRIMP SIZE: NOT APPLICABLE  
 CABLE RETENTION: NOT APPLICABLE  
 DURABILITY: 500 CYCLES MIN

ENVIRONMENTAL:

(MEETS OR EXCEEDS THE APPLICABLE PARAGRAPH OF MIL-C-39D121)  
 THERMAL SHOCK: MIL-STD-202, METHOD 107, CONDITION B  
 OPERATING TEMPERATURE: -65 DEG C TO 165 DEG C  
 CORROSION: MIL-STD-202, METHOD 101, CONDITION B  
 SHOCK: MIL-STD-202, METHOD 213, CONDITION 1  
 VIBRATION: MIL-STD-202, METHOD 204, CONDITION D  
 MOISTURE RESISTANCE: MIL-STD-202, METHOD 106




CUSTOMER DRAWING

THIS DRAWING TO BE INTERPRETED PER ANSI Y 14.5M - 1982

"μSTATION"

COMPANY CONFIDENTIAL

|                                      |                    |                  |  |                                     |
|--------------------------------------|--------------------|------------------|--|-------------------------------------|
| TOLERANCE UNLESS OTHERWISE SPECIFIED | DRAWN BY<br>KAS    | DATE<br>12/22/97 | <br>Cinch Connectivity Solutions<br>299 Johnson Ave. Ste. 100<br>Waseca, MN 56095<br>1-800-247-8256 |                                     |
| DECIMALS<br>.XX                      | CHECKED BY<br>KAS  | DATE<br>11-5-98  | TITLE<br>SMA RA IN SERIES<br>PLUG-PLUG ADAPTER   |                                     |
| .XXX+--.003                          | APPROVED BY<br>TAK | DATE<br>11-5-98  |  |                                     |
| MATL                                 | APPROVED BY<br>RJB | DATE<br>11-9-98  | CODE NO.   | DRAWING NO.<br>C - 142-0901-931/940 |
| FINISH                               | RELEASE DATE       |                  | SCALE 10:1   | U/M INCH SHEET 2 OF 2               |