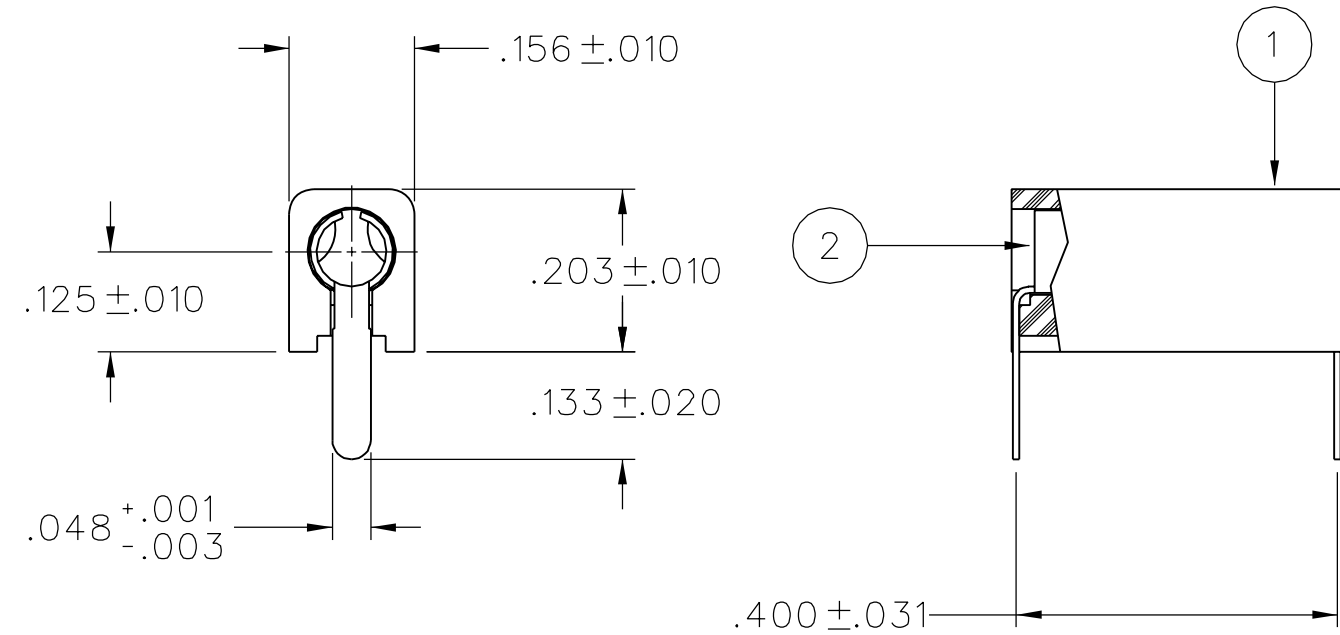
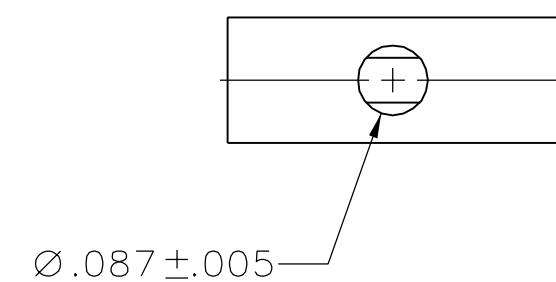
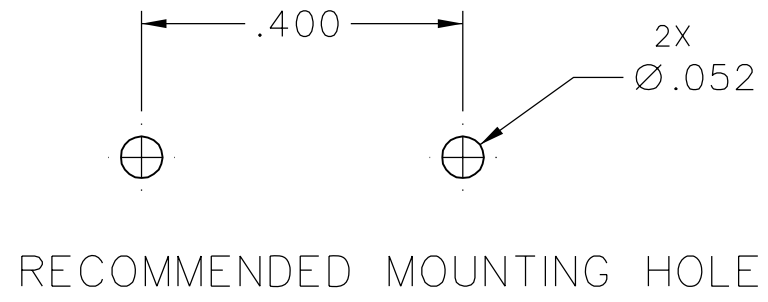


ITEM ①		ITEM ②	
PART NUMBER	BODY	COLOR	CONTACT
105-0751-001	NYLON	WHITE	COPPER ALLOY 688 SILVER PL .0001 MIN OVER COPPER PL .00001 MIN
105-0752-001		RED	
105-0753-001		BLACK	
105-0754-001		GREEN	
105-0755-001			
105-0756-001		ORANGE	
105-0757-001		YELLOW	
105-0758-001		BROWN	
105-0759-001			
105-0760-001		BLUE	
105-0761-001			
105-0762-001		VIOLET	
105-0763-001		GRAY	
105-0764-001			
105-0765-001			
105-0766-001			
105-0767-001			
105-0768-001			
105-0769-001			
105-0770-001			



NOTES:
 SPECIFICATIONS:
 ELECTRICAL:
 CURRENT RATING: 5 AMPS DC MINIMUM
 DIELECTRIC WITHSTANDING VOLTAGE: 2100 VRMS MIN AT SEA LEVEL
 RECOMMENDED WORKING VOLTAGE: 1500 VRMS MAX AT SEA LEVEL
 350 VRMS MAX AT 50,000 FEET
 INSULATION RESISTANCE: 5000 MEGOHMS MIN
 CONTACT RESISTANCE: 5 MILLIOHMS MAXIMUM
 CAPACITANCE: 1 PF NOMINAL
 MECHANICAL:
 INSERTION/WITHDRAWAL FORCE: 0.5 - 5.0 POUNDS
 CONTACT RETENTION IN INSULATOR FORCE: NOT APPLICABLE
 CONTACT RETENTION IN INSULATOR TORQUE: NOT APPLICABLE
 INSULATOR RETENTION IN .062 PANEL FORCE: NOT APPLICABLE
 INSULATOR RETENTION IN SLEEVE FORCE: NOT APPLICABLE
 INSULATOR RETENTION IN PANEL TORQUE: NOT APPLICABLE
 PLASTIC MOUNTING THREAD STRIPPING TORQUE: NOT APPLICABLE
 RESISTANCE TO TEST PROBE DAMAGE TORQUE: 2 IN LB MIN
 MATING TIP PLUG DIAMETER: .080
 DURABILITY: 500 CYCLES MINIMUM
 ENVIRONMENTAL:
 (MEETS OR EXCEEDS THE APPLICABLE PARAGRAPH OF MIL-PRF-39024)
 OPERATING TEMPERATURE: -55 DEG C TO 75 DEG C
 TEMPERATURE RISE AT RATED CURRENT: 10 DEG C MAXIMUM
 CORROSION: MIL-STD-1344, METHOD 1001, CONDITION B
 SHOCK: MIL-STD-1344, METHOD 2004, CONDITION G
 VIBRATION: MIL-STD-1344, METHOD 2005, CONDITION I
 HUMIDITY: MIL-STD-1344, METHOD 1002, CONDITION B

DRAWING NO.
B - 105-0751/0770-001

0	REVISIONS
REVISED AND REDRAWN. DRAWING WAS "C" SIZE 105-0751/0770-001/501 DATED 3-29-88. SPLIT INTO 8 SEPERATE DWGS. CREATED SHEET 2. ***** * REVISION NUMBER FOLLOWED BY AN ALPHA * * CHARACTER INDICATES DRAWING CLARIFI- * * CATION OR PART NUMBER ADDITION ONLY * *****	

13c	2-10-03	RH	RJB			ECN 48700
-----	---------	----	-----	--	--	-----------

CUSTOMER DRAWING

THIS DRAWING TO BE INTERPRETED PER ASME Y 14.5M - 1994

"μSTATION"

COMPANY CONFIDENTIAL

TOLERANCE UNLESS OTHERWISE SPECIFIED		DRAWN BY	DATE
DECIMALS	mm	RJB	12-19-02
.XX	_____	CHECKED BY	DATE
.XXX	_____		
MATL	_____	APPROVED BY	DATE
		RJB	2-12-03
FINISH	_____	RELEASE DATE	2-12-03
		U/M	INCH
		SCALE	4:1

Cinch Connectivity Solutions
 P.O. Box 1732
 Waseca, MN 56093
 1-800-247-8256

TITLE
TIP JACK, STANDARD HORIZONTAL PC MOUNT FOR .080 DIA PLUG

SHEET 2 OF 2
DRAWING NO. B - 105-0751/0770-001