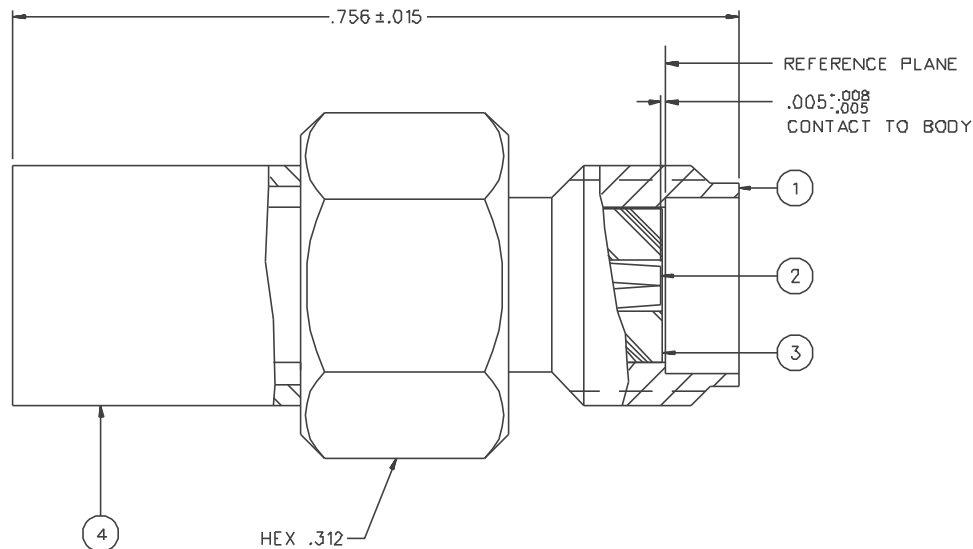


| PART NUMBER | ITEM ① BODY | ITEM ② CONTACT | ITEM ③ INSULATOR | ITEM ④ CRIMP SLEEVE |
|--------------|---------------------------------------------------------------------------------------|--------------------------------------------------------------------------------------------------|---------------------|----------------------------------------------------------------------------------------|
| 142-0307-011 | BRASS GOLD PL .00001 MIN OVER NICKEL PL .00005 MIN OVER COPPER PL .00005 MIN | BERYLLIUM COPPER GOLD PL .00005 MIN OVER NICKEL PL .00005 MIN OVER COPPER PL .00005 MIN | TEFLON | COPPER GOLD PL .00001 MIN OVER NICKEL PL .00005 MIN OVER COPPER PL .00005 MIN |
| 142-0307-016 | BRASS NICKEL PL .0001 MIN OVER COPPER PL .00005 MIN | BERYLLIUM COPPER GOLD PL .00005 MIN OVER NICKEL PL .00005 MIN OVER COPPER PL .00005 MIN | TEFLON | COPPER NICKEL PL .0001 MIN OVER COPPER PL .00005 MIN |



NOTES:

1. SPECIFICATIONS:

IMPEDANCE: 50 OHMS
 FREQUENCY RANGE: 0-12.4 GHz
 VSWR: 1.15-.01 F MAX (F IN GHz)
 WORKING VOLTAGE: 335 VRMS MAX AT SEA LEVEL
 DIELECTRIC WITHSTANDING VOLTAGE: 1000 VRMS MIN AT SEA LEVEL
 INSULATION RESISTANCE: 5000 MEGOHM MIN
 CONTACT RESISTANCE:

CENTER CONTACT - INITIAL 3.0 MILLIOHM MAX, AFTER ENVIRONMENTAL 4.0 MILLIOHM MAX
 OUTER CONDUCTOR - INITIAL 2.0 MILLIOHM MAX
 AFTER ENVIRONMENTAL NOT APPLICABLE
 BODY TO CABLE - 0.5 MILLIOHM MAX (GOLD PLATED)
 5.0 MILLIOHM MAX (NICKEL PLATED)

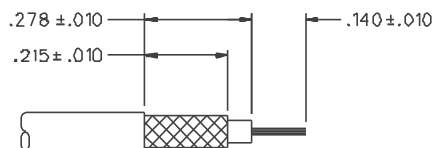
CORONA LEVEL: 250 VOLTS MIN AT 70,000 FEET
 INSERTION LOSS: .06 / F MAX (F IN GHz) AT 6 GHz
 RF LEAKAGE: -60 DB MIN AT 2.5 GHz
 RF HIGH POTENTIAL WITHSTANDING VOLTAGE: 670 VRMS MIN AT 4 AND 7 MHz

MECHANICAL:

ENGAGE/DISENGAGE TORQUE: 2 INCH-POUNDS MAX
 MATING TORQUE: 7-10 INCH POUNDS
 COUPLING PROOF TORQUE: NOT APPLICABLE
 COUPLING NUT RETENTION: NOT APPLICABLE
 CONTACT RETENTION: 6 LBS MIN AXIAL FORCE
 CABLE ACCEPTABILITY: RG 58/U, RG 141/U, RG 3D3/U
 CABLE HEX CRIMP SIZE: .213
 CONTACT CRIMP TOOL: P/N 144-DDDD-910 WITH POSITIONER 141-000D-907
 CABLE RETENTION: 40 LBS MIN AXIAL FORCE
 DURABILITY: 500 CYCLES MIN

ENVIRONMENTAL:

(MEETS OR EXCEEDS THE APPLICABLE PARAGRAPH OF MIL-C-39012)
 THERMAL SHOCK: MIL-STD-202, METHOD 107, CONDITION B, EXCEPT B5° C HIGH TEMP
 OPERATING TEMPERATURE: -65° C TO 165° C
 CORROSION: MIL-STD-202, METHOD 101, CONDITION B
 SHOCK: MIL-STD-202, METHOD 213, CONDITION I
 VIBRATION: MIL-STD-202, METHOD 204, CONDITION D
 MOISTURE RESISTANCE: MIL-STD-202, METHOD 106



CABLE STRIP DIMENSIONS

4:1

| | | | |
|-------------------------------------------|---------|-----------------|----------------------|
| DRAWING NO. | | | |
| C - 142-0307-011/020 | | | |
| 0 REVISIONS | | | |
| ENGINEERING RELEASE | | | |
| 1 | 8-27-92 | R T H A B B B B | 9-1-92 ECO 41215 |
| VERSION UPDATE | | | |
| 1a | 4-19-95 | R T H A B B B B | 4-26-95 ECN 43197 |
| VERSION UPDATE | | | |
| 1b | 5-22-00 | R T H A B B B B | 8-2-DD ECN 47107 |
| ADDED: CRIMP TOOL PART NUMBERS | | | |
| * REVISION NUMBER FOLLOWED BY AN ALPHA * | | | |
| * CHARACTER INDICATES DRAWING CHANGE * | | | |
| * CAUTION ON PART NUMBER ADDITION ONLY. * | | | |
| 1c | 12-7-DD | R T H A B B B B | ECN 47436 |

CUSTOMER DRAWING

THIS DRAWING TO BE INTERPRETED PER ANSIZ 14.5M - 1982

"μSTATION"

COMPANY CONFIDENTIAL

| | | | | |
|--------------------------------------|--------------------|-----------------|-------------------------------------------------------------------------------------------------------|-----------------------|
| TOLERANCE UNLESS OTHERWISE SPECIFIED | DRAWN BY TAK | DATE 5-14-92 | Cinch Connectivity Solutions 299 Johnson Ave. Ste. 100 Waukegan, IL 60093 1-800-247-8256 | |
| DECIMALS .XX | CHECKED BY TAK | DATE 8-18-92 | TITLE JACK ASSEMBLY STRAIGHT CABLED SMA, RG 58 | |
| .XXX REF | APPROVED BY TAK | DATE 8-18-92 | CODE NO. | DRAWING NO. |
| MATL | APPROVED BY RJB | DATE 8-18-92 | C - 142-0307-011/020 | |
| FINISH | RELEASE DATE | 9-1-92 | SCALE 10:1 | U/M INCH SHEET 2 OF 2 |