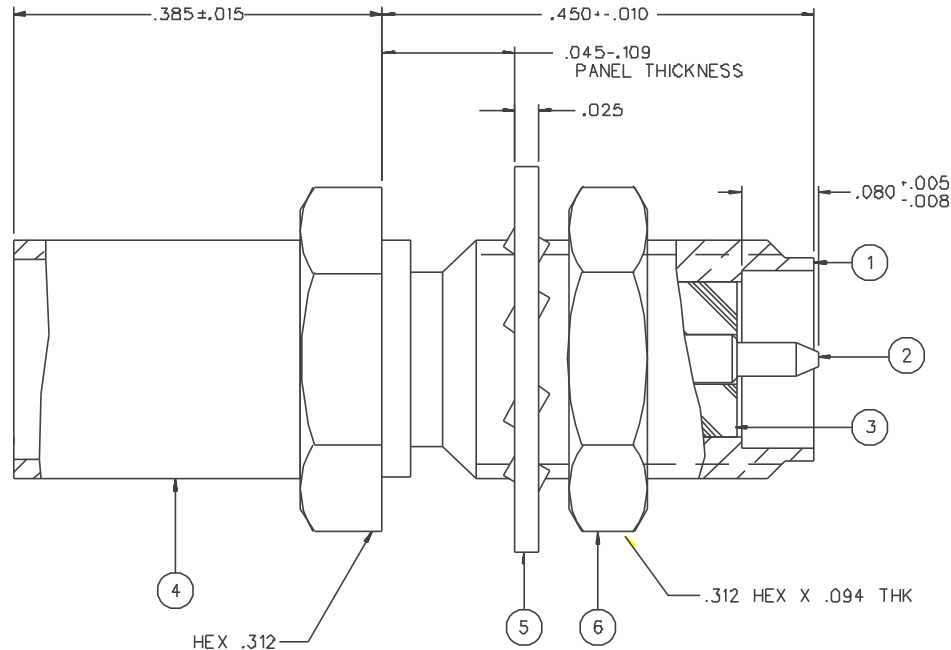


| PART NUMBER | ITEM ① BODY | ITEM ② CONTACT | ITEM ③ INSULATOR | ITEM ④ CRIMP SLEEVE | ITEM ⑤ LOCKWASHER | ITEM ⑥ NUT |
|--------------|---|---|---------------------|--|---|---|
| 142-4307-401 | BRASS GOLD PL .00001 MIN OVER NICKEL PL .00005 MIN OVER COPPER PL .00005 MIN | BRASS GOLD PL .00005 MIN OVER NICKEL PL .00005 MIN OVER COPPER PL .00005 MIN | TEFLON | COPPER GOLD PL .00001 MIN OVER NICKEL PL .00005 MIN OVER COPPER PL .00005 MIN | PHOSPHOR BRONZE GOLD PL .00001 MIN OVER NICKEL PL .00005 MIN OVER COPPER PL .00005 MIN | BRASS GOLD PL .00001 MIN OVER NICKEL PL .00005 MIN OVER COPPER PL .00005 MIN |
| 142-4307-406 | BRASS NICKEL PL .0001 MIN OVER COPPER PL .00005 MIN | BRASS GOLD PL .00005 MIN OVER NICKEL PL .00005 MIN OVER COPPER PL .00005 MIN | TEFLON | COPPER NICKEL PL .0001 MIN OVER COPPER PL .00005 MIN | PHOSPHOR BRONZE NICKEL PL .0001 MIN OVER COPPER PL .00005 MIN | BRASS NICKEL PL .0001 MIN OVER COPPER PL .00005 MIN |



NOTES:

1. SPECIFICATIONS:

IMPEDANCE: 50 OHMS
 FREQUENCY RANGE: 0-12.4 GHz
 VSWR: 1.17-.02 F MAX (F IN GHz)
 WORKING VOLTAGE: 335 VRMS MAX AT SEA LEVEL
 DIELECTRIC WITHSTANDING VOLTAGE: 1000 VRMS MIN AT SEA LEVEL
 INSULATION RESISTANCE: 5000 MEGOHM MIN
 CONTACT RESISTANCE:

CENTER CONTACT - INITIAL 3.0 MILLIOHM MAX, AFTER ENVIRONMENTAL 4.0 MILLIOHM MAX
 OUTER CONDUCTOR - INITIAL 2.0 MILLIOHM MAX AFTER ENVIRONMENTAL NOT APPLICABLE
 BODY TO CABLE - 0.5 MILLIOHM MAX (GOLD PLATED)
 5.0 MILLIOHM MAX (NICKEL PLATED)

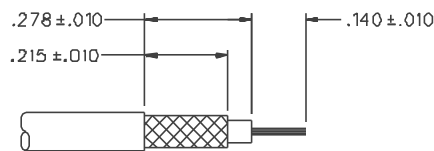
CORONA LEVEL: 250 VOLTS MIN AT 70,000 FEET
 INSERTION LOSS: .06 V/F MAX (F IN GHz) AT 6 GHz
 RF LEAKAGE: -60 DB MIN AT 2.5 GHz
 RF HIGH POTENTIAL WITHSTANDING VOLTAGE: 670 VRMS MIN AT 4 AND 7 MHz

MECHANICAL:

ENGAGE/DISENGAGE TORQUE: 2 INCH-POUNDS MAX
 MATING TORQUE: 7-10 INCH POUNDS
 COUPLING PROOF TORQUE: NOT APPLICABLE
 COUPLING NUT RETENTION: NOT APPLICABLE
 CONTACT RETENTION: 6 LBS MIN AXIAL FORCE
 CABLE ACCEPTABILITY: RG 58/U, RG 141/U, RG 303/U
 CABLE HEX CRIMP SIZE: .213
 CONTACT CRIMP TOOL: MIL M22520/1-01
 CABLE RETENTION: 40 LBS MIN AXIAL FORCE
 DURABILITY: 500 CYCLES MIN

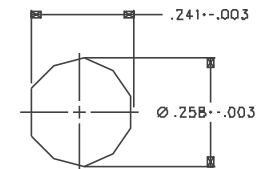
ENVIRONMENTAL:

(MEETS OR EXCEEDS THE APPLICABLE PARAGRAPH OF MIL-C-39012)
 THERMAL SHOCK: MIL-STD-202, METHOD 107, CONDITION B, EXCEPT B5° C HIGH TEMP
 OPERATING TEMPERATURE: -65 DEG C TO 165 DEG C
 CORROSION: MIL-STD-202, METHOD 101, CONDITION B
 SHOCK: MIL-STD-202, METHOD 213, CONDITION I
 VIBRATION: MIL-STD-202, METHOD 204, CONDITION D
 MOISTURE RESISTANCE: MIL-STD-202, METHOD 106



CABLE STRIP DIMENSIONS

4:1



MOUNTING HOLE

4:1

| | |
|---|--|
| DRAWING NO. C - 142-4307-401/410 | |
| 0 REVISIONS | |
| ENGINEERING RELEASE | |
| 1 | 10-2-98 R H S I T N P 12-2-98 ECN 45972 |
| CHANGED: VSWR 1.17-.02 F WAS 1.15-.012 F | |
| 1a | 10-2-98 R H S I T N P 12-2-98 ECN 46619 |
| PHOSPHOR BRONZE WAS BRASS .109 WAS .125 .025 WAS .032 .094 WAS .062 | |
| ADDED: LOCK, UPDATED VIEWS | |
| 2 | 6-5-01 R H S I T N P 12-2-98 ECN 46035 |
| THICKWALL STEM TIP UPDATE. | |
| * REVISION NUMBER FOLLOWED BY AN ALPHA * | |
| * CHARACTER INDICATES DRAWING CLARIFICATION * | |
| * CATION OR PART NUMBER ADDITION ONLY. * | |
| 2a | 2-13-02 R H S I T N P 12-2-98 ECN 48250 |

CUSTOMER DRAWING

THIS DRAWING TO BE INTERPRETED PER ANSI Y 14.5M - 1982

"μSTATION"

COMPANY CONFIDENTIAL

| | | | | |
|--------------------------------------|-------------------------|------------------|---|-------------------------------------|
| TOLERANCE UNLESS OTHERWISE SPECIFIED | DRAWN BY SWC | DATE 6-18-98 | JOHNSON Cinch Connectivity Solutions 299 Johnson Ave. Ste. 100 Worcester, MA 01603 1-800-247-8256 | |
| DECIMALS .XX REF | CHECKED BY SWC | DATE 11-2-98 | TITLE JACK ASSEMBLY, STRAIGHT CABLED BULKHEAD, REVERSE POLARITY SMA, RG 58 | |
| MATL | APPROVED BY TAK | DATE 11-6-98 | CODE NO. | DRAWING NO. C - 142-4307-401/410 |
| FINISH | APPROVED BY RJB | DATE 11-12-98 | SCALE 10:1 | W/M INCH |
| | RELEASE DATE 12-2-98 | | SHEET 2 | OF 2 |