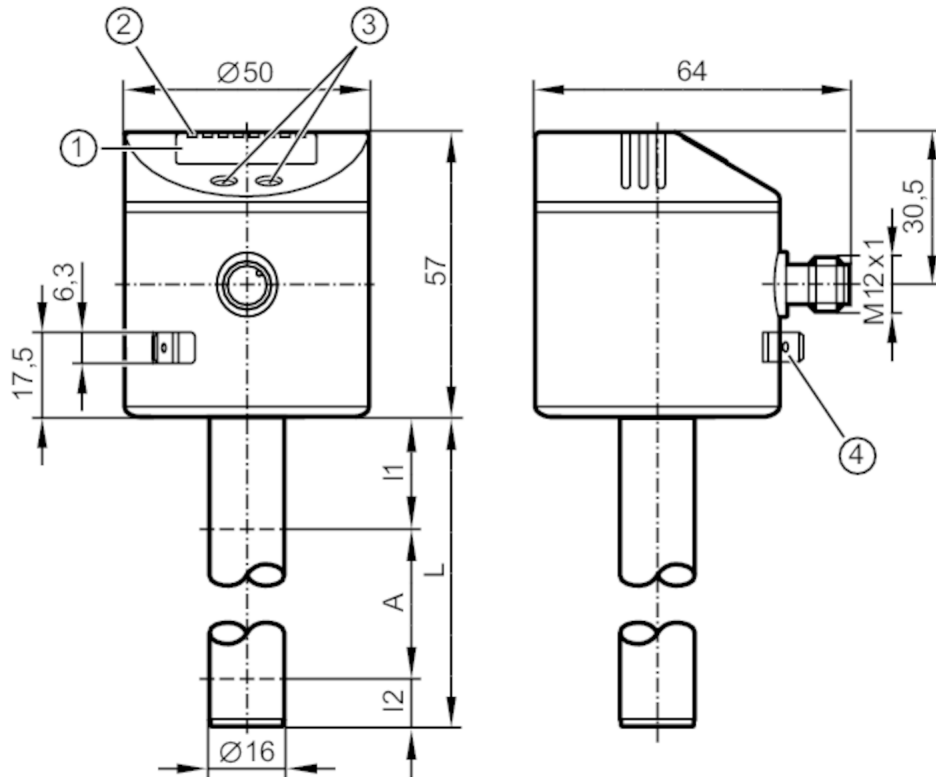


LK8124



Electronic level sensor

LK0728B-B-00KVPKG/US



- 1 alphanumeric display 4-digit
- 2 status LEDs
- 3 Programming buttons
- 4 housing connection flat-pin connector 6.3 mm DIN 46244



Application	
Media	hydrous coolants; oils; oil-based media; water; media similar to water
Dielectric constant of the medium	> 2
Cannot be used for	extremely conductive media; adhering media; granulates; bulk material; acids; alkali; hygienic areas and electroplating applications
Maximum speed of the change of level [mm/s]	300
Tank pressure [bar]	0.5; (when mounting with mounting accessories: E43001 - E43007, E43019)
Coolants	
Medium temperature [°C]	0...35; (with climate tube E43102: 35...55 °C)
oil	
Medium temperature [°C]	0...70
Medium temperature short time [°C]	0...90; (< 1 h)
water	
Medium temperature [°C]	0...35; (with climate tube E43102 ; 35...55 °C)

LK8124



Electronic level sensor

LK0728B-B-00KVPKG/US

Electrical data	
Operating voltage [V]	18...30 DC
Current consumption [mA]	< 50
Protection class	III
Reverse polarity protection	yes
Power-on delay time [s]	< 3
Inputs / outputs	
Number of inputs and outputs	Number of digital outputs: 4
Outputs	
Total number of outputs	4
Output signal	switching signal; IO-Link
Electrical design	PNP/NPN
Number of digital outputs	4
Output function	normally open / closed; (configurable)
Max. voltage drop switching output DC [V]	2.5
Permanent current rating of switching output DC [mA]	200
Short-circuit protection	yes
Type of short-circuit protection	thermal, pulsed
Overload protection	yes
Measuring/setting range	
Factory setting	hydrous coolants; water; media similar to water
Probe length L [mm]	728
Active range A [mm]	585
Inactive range I1 / I2 [mm]	104 / 39
Setting range	
Set point SP [mm]	60...590
Reset point rP [mm]	50...580
in steps of [mm]	10
Reference point OP [mm]	200 - 240 - 280 - 310 - 350 - 390 - 420 - 460 - 500 - 530 - 570 - 610 - OFF
Hysteresis, OP [mm]	4
Accuracy / deviations	
Measuring error [% of the final value]	± 5
Repeatability	± 2
Resolution [mm]	10
Software / programming	
Parameter setting options	hysteresis / window; normally open / closed; switching logic; SP/rP position; adjustment OP; medium selection; offset setting; switch-on/switch-off delay

LK8124



Electronic level sensor

LK0728B-B-00KVPKG/US

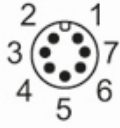
Interfaces		
Communication interface	IO-Link	
Transmission type	COM2 (38,4 kBaud)	
IO-Link revision	1.1	
SDCI standard	IEC 61131-9	
IO-Link device ID	0x000017	
Profiles	Smart Sensor: Process Data Variable; Device Identification, Device Diagnosis	
SIO mode	yes	
Required master port class	A	
Process data analogue	2	
Process data binary	4	
Min. process cycle time [ms]	3.2	
Operating conditions		
Ambient temperature [°C]	0...60	
Storage temperature [°C]	-25...80	
Protection	IP 67	
Tests / approvals		
EMC	DIN EN 61000-6-2	
	DIN EN 61000-6-4	
Shock resistance	DIN EN 60068-2-27	15 g (11 ms)
Vibration resistance	DIN EN 60068-2-6	5 g (10...2000 Hz)
MTTF [years]	227	
Mechanical data		
Weight [g]	502.6	
Dimensions [mm]	Ø 16	
Material	stainless steel (1.4301 / 304); stainless steel (1.4404 / 316L); FKM; NBR; PBT; PC; PA; PP; TPV	
Materials (wetted parts)	PP	
Displays / operating elements		
Display	Display unit	2 x LED, green (cm, inch)
	Switching status	4 x LED, yellow (OUT4...OUT1)
	Measured values	alphanumeric display, 4-digit
	Parameter setting	alphanumeric display, 4-digit
Remarks		
Notes	For 8-wire cordsets the core colors are not standardized.; Please note the wiring of the sensor and the cordsets (see data sheet).; Please see the technical note under "Downloads"	
Pack quantity	1 pcs.	
Electrical connection		
Connector: 1 x M12		

LK8124

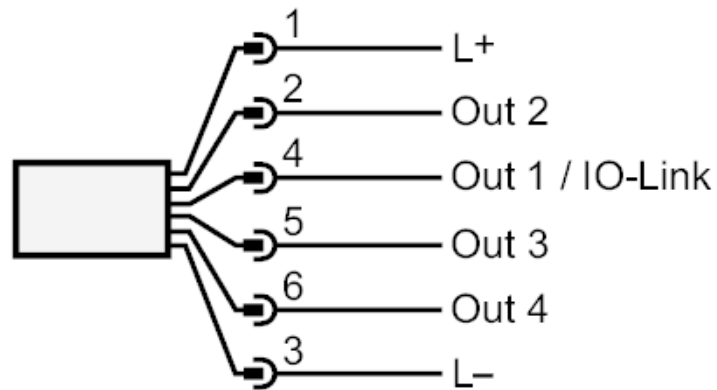


Electronic level sensor

LK0728B-B-00KVPKG/US



Connection



OUT1: Switching output IO-Link

OUT2...4: Switching output