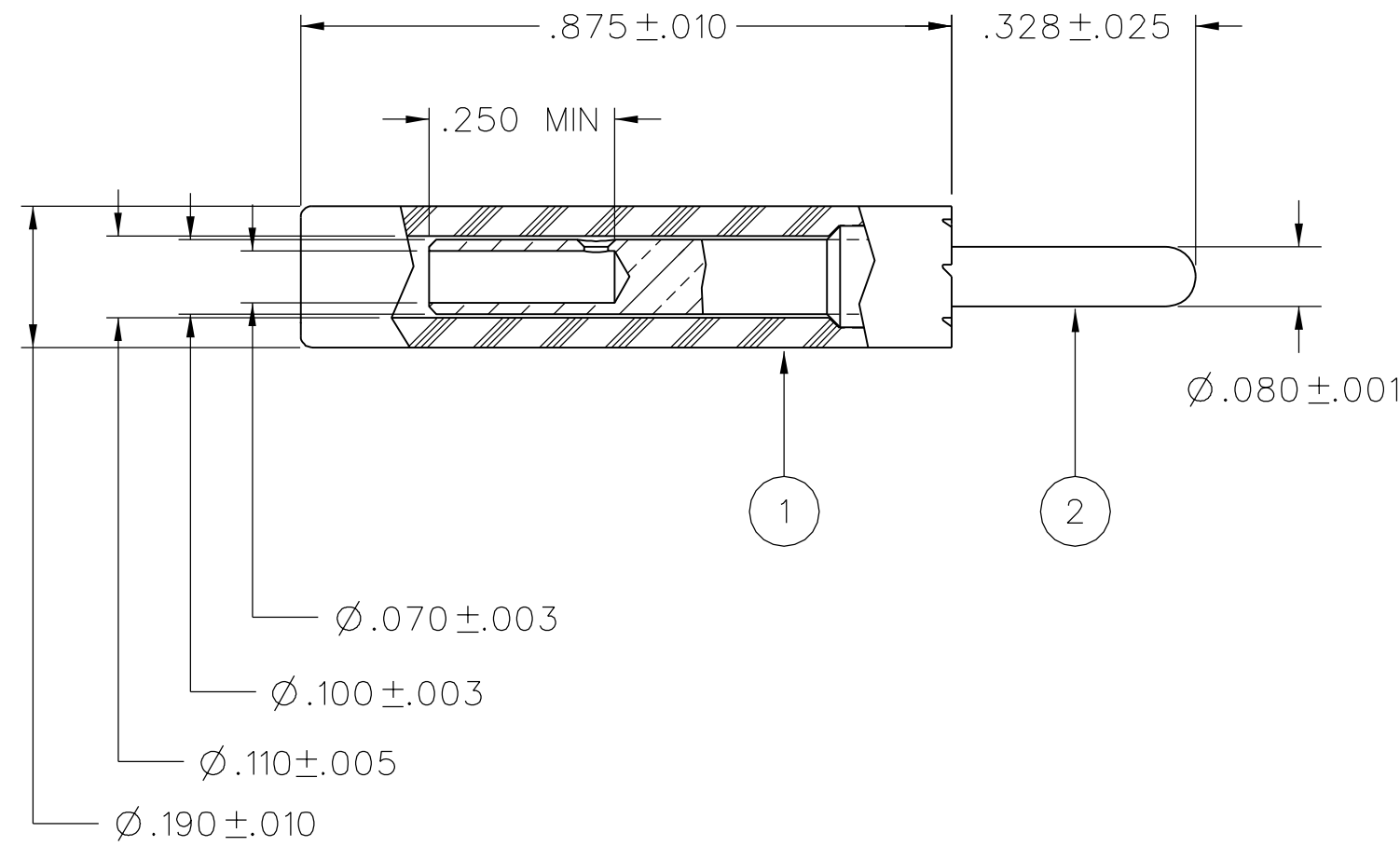


PART NUMBER	ITEM ①		ITEM ②
	BODY	COLOR	
105-0771-001	NYLON	WHITE	BRASS
105-0772-001		RED	NICKEL PL .0001 MIN OVER
105-0773-001		BLACK	COPPER PL .00005 MIN
105-0774-001		GREEN	
105-0775-001			
105-0776-001		ORANGE	
105-0777-001		YELLOW	
105-0778-001		BROWN	
105-0779-001			
105-0780-001		BLUE	
105-0781-001			
105-0782-001	VIOLET		
105-0783-001	GRAY		
105-0784-001			
105-0785-001			
105-0786-001			
105-0787-001			
105-0788-001			
105-0789-001			
105-0790-001			



DRAWING NO. B - 105-0771/0790-001	
0	REVISIONS
UPDATE GRAPHICS ***** * REVISION NUMBER FOLLOWED BY AN ALPHA * * CHARACTER INDICATES DRAWING CLARIFI- * * CATION OR PART NUMBER ADDITION ONLY. * *****	
10a	11-13-06 P A T R J B M J U J C N 12-1-06 ECN 50772

NOTES:

SPECIFICATIONS:

ELECTRICAL:

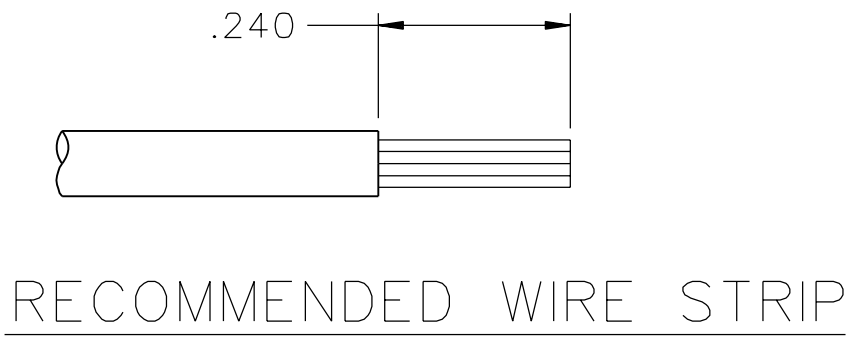
CURRENT RATING: 10 AMPS DC MINIMUM
 DIELECTRIC WITHSTANDING VOLTAGE: 3500 VRMS MINIMUM AT SEA LEVEL
 RECOMMENDED WORKING VOLTAGE: 1750 VRMS MAXIMUM AT SEA LEVEL
 INSULATION RESISTANCE: 5000 MEGOHMS MINIMUM
 CONTACT RESISTANCE: 10 MILLIOHMS MAXIMUM

MECHANICAL:

WIRE ACCEPTABILITY: 16 AWG OR SMALLER
 WIRE ATTACHMENT: CRIMP OR SOLDER
 DURABILITY: 1000 CYCLES MINIMUM

ENVIRONMENTAL:

(MEETS OR EXCEEDS THE APPLICABLE PARAGRAPH OF MIL-PRF-39024)
 OPERATING TEMPERATURE: -55 DEG C TO 85 DEG C
 TEMPERATURE RISE AT RATED CURRENT: 10 DEG C MAXIMUM
 CORROSION: MIL-STD-1344, METHOD 1001, CONDITION B
 SHOCK: MIL-STD-1344, METHOD 2004, CONDITION G
 VIBRATION: MIL-STD-1344, METHOD 2005, CONDITION I
 HUMIDITY: MIL-STD-1344, METHOD 1002, CONDITION B



CUSTOMER DRAWING

THIS DRAWING TO BE INTERPRETED
PER ASME Y 14.5M - 1994

"μSTATION"

COMPANY CONFIDENTIAL

TOLERANCE UNLESS OTHERWISE SPECIFIED		DRAWN BY	DATE
DECIMALS	mm	RJB	11-3-06
.XX	_____	CHECKED BY	DATE
.XXX	REF _____	RJB	11-28-06
MATL	_____	APPROVED BY	DATE
FINISH	_____	JCN	11-28-06
		RELEASE DATE	12-1-06 (10-19-89)
		U/M	INCH
		SCALE	4:1



Cinch
CONNECTIVITY SOLUTIONS
a bel group

Cinch Connectivity Solutions
P.O. Box 1732
Waseca, MN 56093
1-800-247-8256

TITLE
ASSEMBLY, .080 (2.0mm) TIP PLUG,
INSULATED HANDLE, SOLDER BARREL

SHEET 2 OF 2

DRAWING NO.
B - 105-0771/0790-001