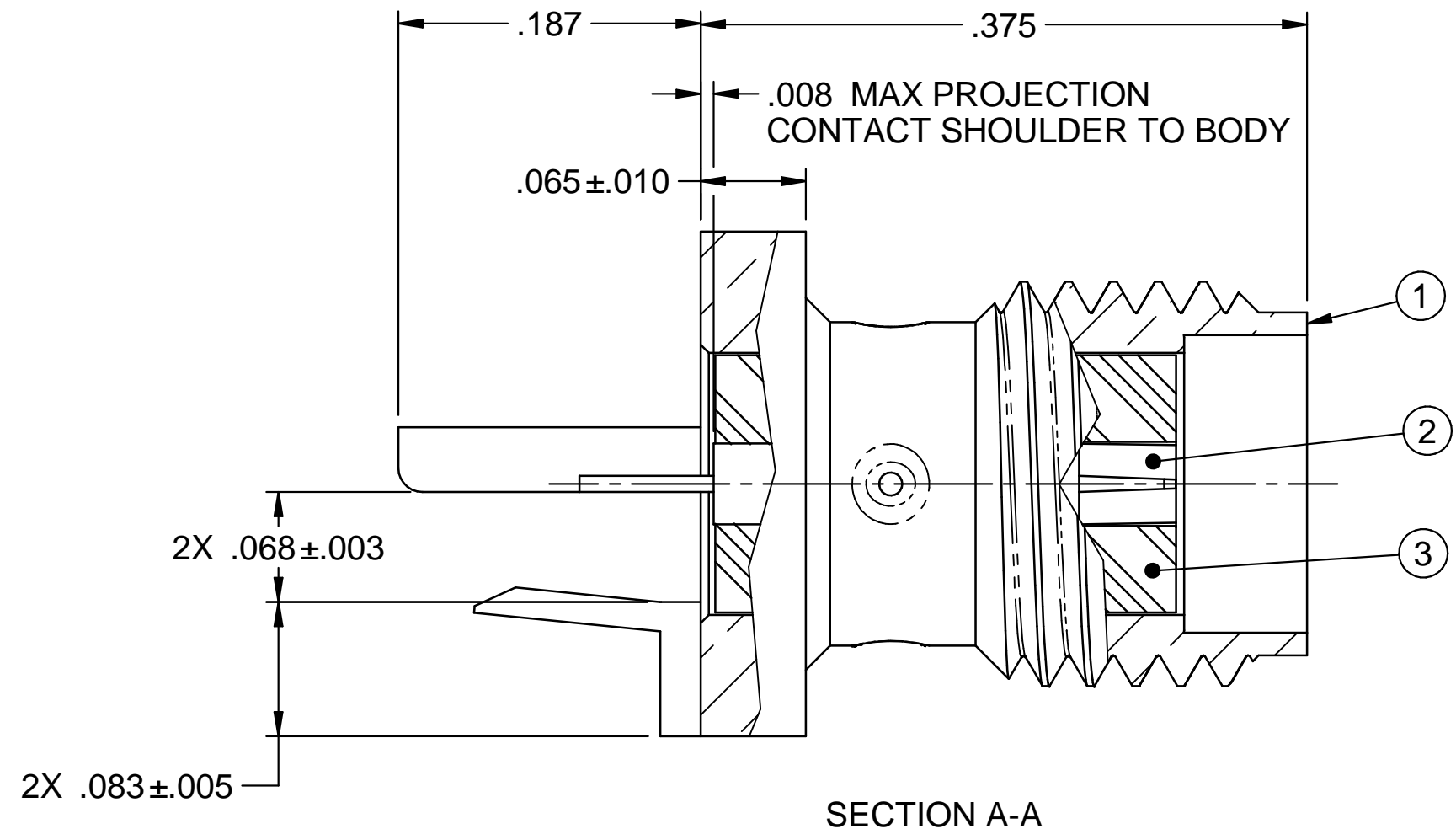
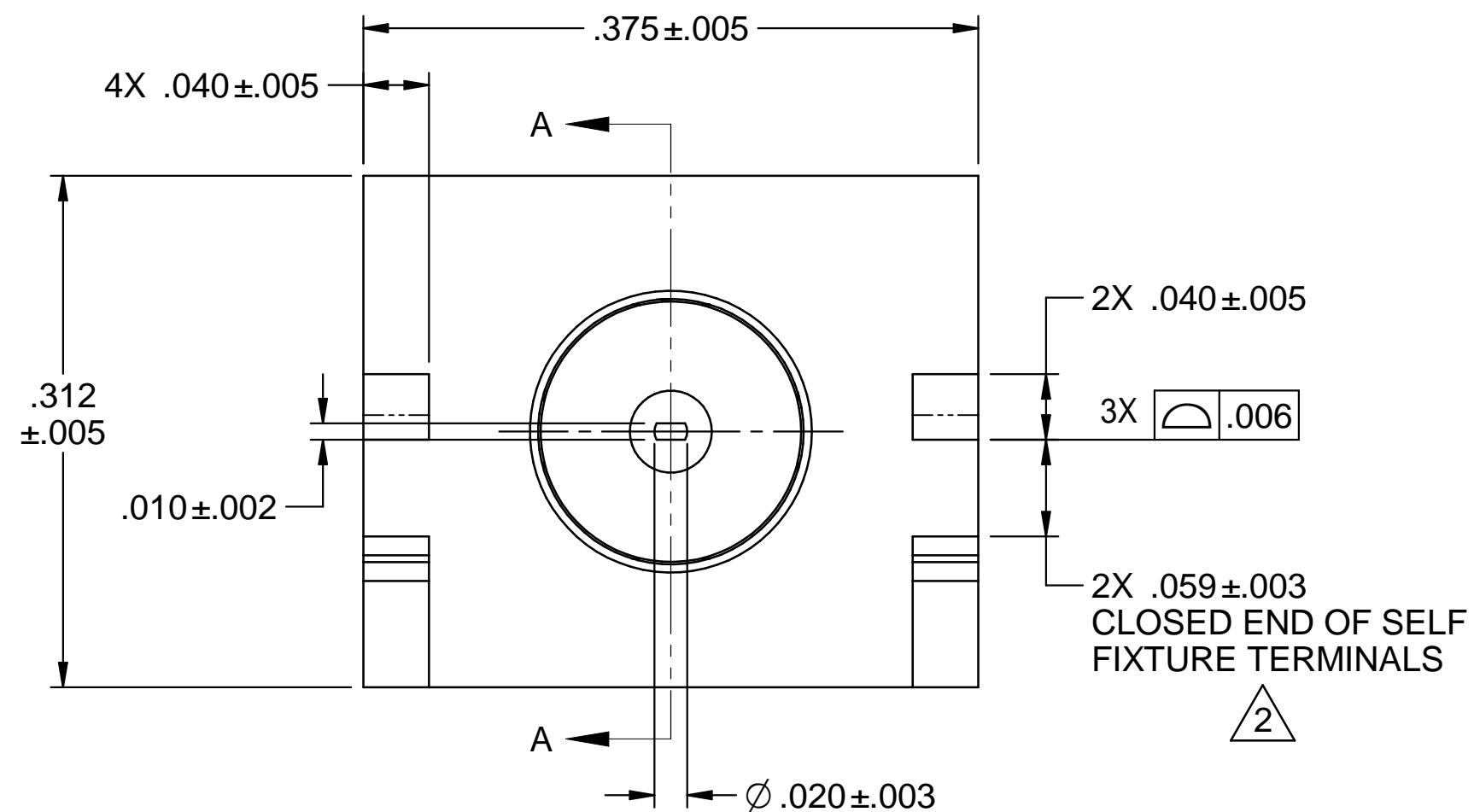
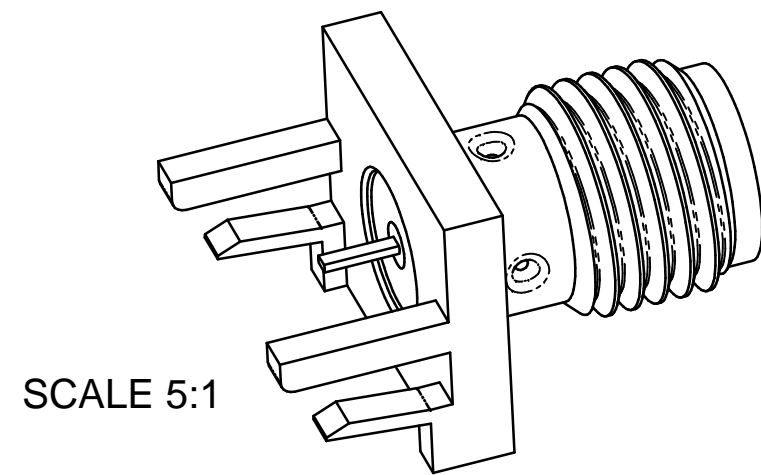


PART NUMBER	ITEM 1 BODY	ITEM 2 CONTACT	ITEM 3 INSULATOR
142-0791-821	BRASS GOLD PL .00001 MIN OVER NICKEL PL .00005 MIN OVER COPPER PL .00005 MIN	BERYLLIUM COPPER GOLD PL .00005 MIN OVER NICKEL PL .00005 MIN OVER COPPER PL .00005 MIN	TEFLON

ZONE	REV	ECO	DESCRIPTION	APPR.	DATE
	1	52062		TAK	10/13/09
	1A	53594		TAK	1/16/12



NOTES: UNLESS OTHERWISE SPECIFIED.

1. SPECIFICATIONS:

ELECTRICAL:

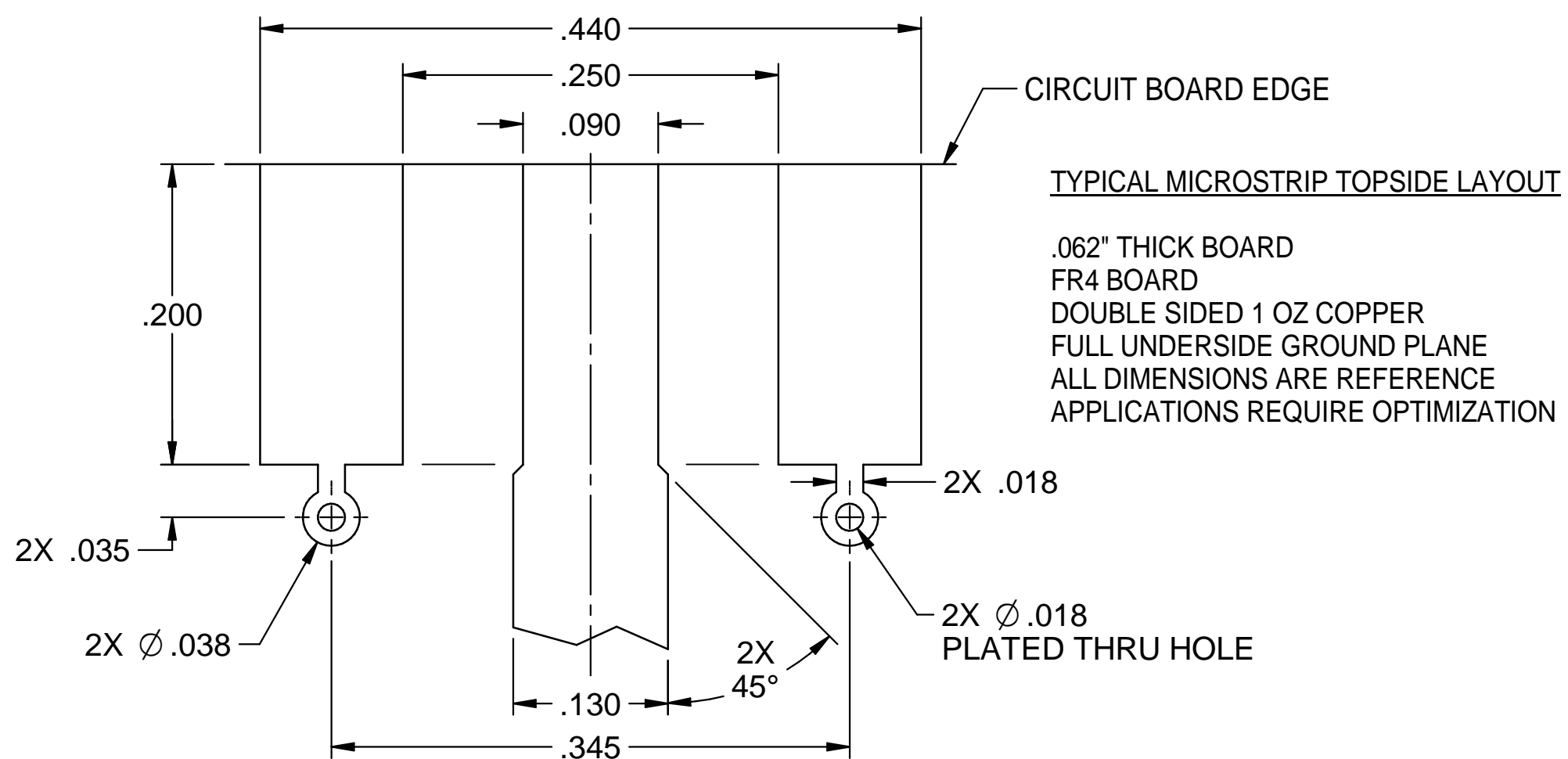
- IMPEDANCE: 50 OHMS
- FREQUENCY RANGE: 0-18 GHz (10 GHz MAX TYPICAL CIRCUIT BOARD TRANSITION)
- WORKING VOLTAGE: 335 VRMS MAX AT SEA LEVEL
- DIELECTRIC WITHSTANDING VOLTAGE: 1000 VRMS MIN AT SEA LEVEL
- INSULATION RESISTANCE: 5000 MEGOHMS MIN
- CONTACT RESISTANCE: CENTER CONTACT - INITIAL 3 MILLIOHMS MAX
AFTER ENVIRONMENTAL - 4 MILLIOHMS MAX
- OUTER CONDUCTOR - INITIAL 2.0 MILLIOHMS MAX
AFTER ENVIRONMENTAL - N/A
- CORONA LEVEL: 250 VOLTS MIN AT 70,000 FEET
- RF HIGH POTENTIAL WITHSTANDING VOLTAGE: 670 VRMS MIN AT 4 AND 7 MHZ

MECHANICAL:

- ENGAGEMENT/DISENGAGEMENT TORQUE: 2 INCH POUNDS MAX
- MATING TORQUE: 7-10 INCH POUNDS
- CONTACT RETENTION: 6 LBS MIN AXIAL FORCE
4 OZ-IN MIN RADIAL TORQUE
- DURABILITY: 500 CYCLES MIN

ENVIRONMENTAL:

- (MEETS OR EXCEEDS THE APPLICABLE PARAGRAPH OF MIL-PRF-39012)
- THERMAL SHOCK: MIL-STD-202, METHOD 107, CONDITION B
- OPERATING TEMPERATURE: -65°C TO 165°C
- CORROSION: MIL-STD-202, METHOD 101, CONDITION B
- SHOCK: MIL-STD-202, METHOD 213, CONDITION I
- VIBRATION: MIL-STD-202, METHOD 204, CONDITION D
- MOISTURE RESISTANCE: MIL-STD-202, METHOD 106



2. ALL CONNECTOR TERMINALS SHALL BE SOLDERED TO THE CIRCUIT BOARD.

<p>This PROPRIETARY Document is property of Emerson Network Power Connectivity Solutions. It is confidential in nature, non-transferable, and issued with the clear understanding that it is not traced or copied without permission and is returnable upon demand.</p>	Model No. 142-0791-821/830		JOHNSON				
	Cage Code 34078		Title SMA JACK SELF FIXTURE END LAUNCH		Material		
	3RD ANGLE PROJECTION - [Symbol] -		Drawing No. 142-0791-821/830		Rev. 1A	Finish	
	UNLESS OTHERWISE SPECIFIED UNITS: INCHES		Drawn by JDS	Date 2/6/07	Size C	DO NOT SCALE DRAWING	Scale 10:1