

5

4

3

2

1

DRAWING NO.

32-6198UL - CUST

## REVISIONS

OFFICIAL RELEASE

01

03-20-09

T

W

B

Y

T

Description: Cat6 RJ45 with load bar UIL

Part No: 32-6198UL

Application: Modular Plug

Crimp Tool: N/A

Insulation Resistance: 1000 Ohms

Frequency Range: N/A

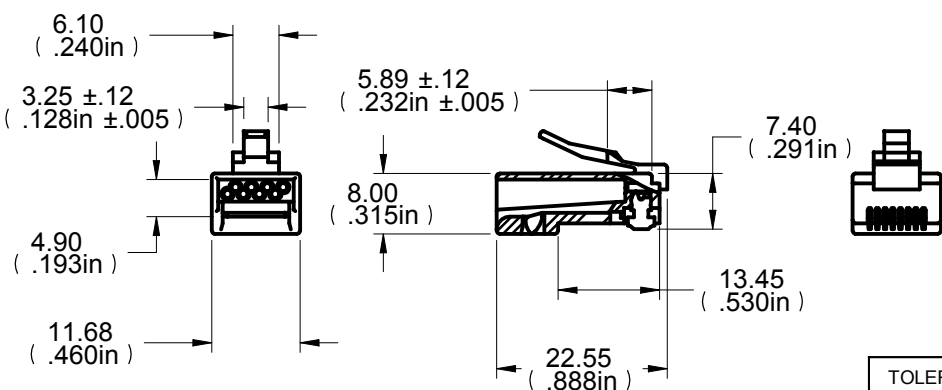
Material: Housing Polycarbonate

Contact Phosphor bronze Gold plated

Insert bar Polycarbonate

RoHS Compliance: Yes

Technical Detail: N/A

**DIM OUTLINE**

CUSTOMER COPY

TOLERANCE UNLESS OTHERWISE SPECIFIED		DRAWN BY <b>TERRY.W</b>	DATE 03-20-09
DECIMALS	mm	CHECKED BY <b>BETTY.YU</b>	DATE 03-20-09
X	± 0.5	APPROVED BY <b>THOMAS</b>	DATE 03-20-09
X.X	± 0.3	U/M	mm
X.XX	± 0.1		
ANGLES	± 0.5°		

TITLE  
CAT6 RJ45 WITH LOAD BAR,ULTHIS DRAWING WAS PRODUCED BY COMPUTER,  
DO NOT SCALE DRAWING OR UPDATE MANUALLY.SHEET  
1 OF 1DRAWING NO.  
32-6198UL -CUSTSIZE  
A

5

4

3

2

1