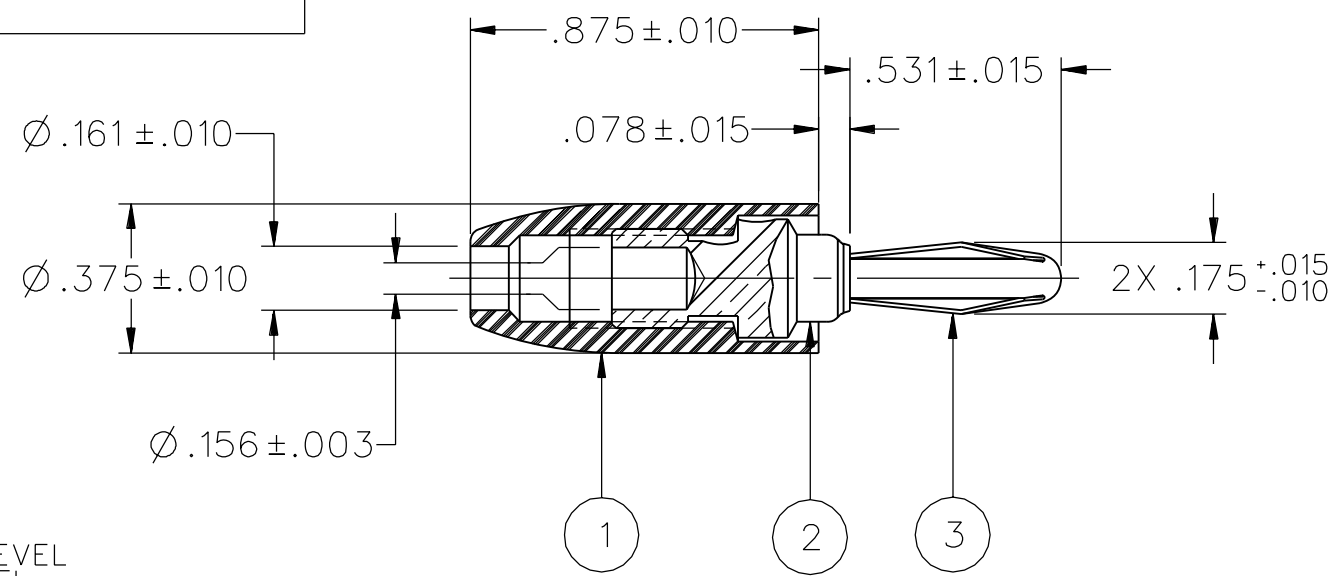


PART NUMBER	ITEM ① HANDLE	COLOR	ITEM ② BODY	ITEM ③ CONTACT SPRING
108-0301-001	NYLON	WHITE	BRASS NICKEL PL .0001 MIN	NICKEL SILVER NICKEL PL .0001 MIN
108-0302-001		RED		
108-0303-001		BLACK		
108-0304-001		GREEN		
108-0305-001				
108-0306-001		ORANGE		
108-0307-001		YELLOW		
108-0308-001		BROWN		
108-0309-001				
108-0310-001		BLUE		
108-0311-001				
108-0312-001		VIOLET		
108-0313-001		GRAY		
108-0314-001				
108-0315-001				
108-0316-001				
108-0317-001				
108-0318-001				
108-0319-001				
108-0320-001				

DRAWING NO.		B-108-0301/0320-001	
0	REVISIONS		
ENGINEERING RELEASE			
12a	9-10-94	R H	S W C T A K R J B P A H 9-23-94 ECN 42647
CHANGED: 15 LBS RETENTION FORCE WAS 25 LBS			
12b	10-22-96	R H	R J B B A ECN 44343
CHANGED: DIA .161+- .010 WAS DIA .161+- .005			
***** * REVISION NUMBER FOLLOWED BY AN ALPHA * * CHARACTER INDICATES DRAWING CLARIFI- * * CATION OR PART NUMBER ADDITION ONLY. * *****			
12c	11-4-99	R H	R J B ECN 46830



NOTES:

1. SPECIFICATIONS:

ELECTRICAL:

CURRENT RATING: 15 AMPS DC MINIMUM
DIELECTRIC WITHSTANDING VOLTAGE: 3500 VRMS MIN AT SEA LEVEL
RECOMMENDED WORKING VOLTAGE: 1750 VRMS MAX AT SEA LEVEL
INSULATION RESISTANCE: 5000 MEGOHMS MIN
CONTACT RESISTANCE: 10 MILLIOHMS MAXIMUM

MECHANICAL:

INSERTION/WITHDRAWL FORCE: 1.0 - 12.0 POUNDS
CONTACT SPRING RETENTION FORCE: 15 LBS MINIMUM
WIRE ACCEPTABILITY: 16 AWG OR SMALLER
WIRE ATTACHMENT: SOLDER OR SOLDERLESS, SCREW DOWN HANDLE
MATING BANANA JACK DIAMETER: .166 NOMINAL
DURABILITY: 1000 CYCLES MINIMUM

ENVIRONMENTAL:

(MEETS OR EXCEEDS THE APPLICABLE PARAGRAPH OF MIL-C-28901)
OPERATING TEMPERATURE: -55 DEG C TO 85 DEG C.
TEMPERATURE RISE AT RATED CURRENT: 10 DEG C MAXIMUM
CORROSION: MIL-STD-1344, METHOD 1001, CONDITION B
SHOCK: MIL-STD-1344, METHOD 2004, CONDITION G
VIBRATION: MIL-STD-1344, METHOD 2005, CONDITION I
HUMIDITY: MIL-STD-1344, METHOD 1002, CONDITION B

CUSTOMER DRAWING

THIS DRAWING TO BE INTERPRETED PER ASME Y 14.5M - 1994

"μSTATION"

COMPANY CONFIDENTIAL

TOLERANCE UNLESS OTHERWISE SPECIFIED		DRAWN BY	DATE
DECIMALS	mm	SWC	4-4-94
.XX	_____	CHECKED BY	DATE
.XXX	_____	TAK	9-19-94
MATL	_____	APPROVED BY	DATE
		RJB	9-20-94
FINISH	_____	RELEASE DATE	9-23-94
		U/M INCH	SCALE 2:1

 <p>Cinch CONNECTIVITY SOLUTIONS a bel group</p>	<p>Cinch Connectivity Solutions P.O. Box 1732 Waseca, MN 56093 1-800-247-8256</p>	
	<p>TITLE</p> <p>ASSEMBLY, BANANA PLUG INSULATED HANDLE, ROUND BODY, SOLDER OR SOLDERLESS BACKHOLE</p>	
<p>SHEET</p> <p>2 OF 2</p>	<p>DRAWING NO.</p> <p>B-108-0301/0320-001</p>	