

Sine wave output filter



See below:

**Approvals and Compliances**

**Description**

- Design corresponding to UL 1283, CSA 22.2 No. 8, IEC/EN60939
- Standard versions include insulated safety screw terminals
- Enhancement of the system efficiency

**Applications**

- Optimized for long motor cables (up to 200 m) and operation under full load
- Frequency converters in uninterruptible power supplies, elevators, heating-, ventilating- and air conditioning-systems, traction and conveyer systems

**Weblinks**

[pdf datasheet](#), [html-datasheet](#), [General Product Information](#), [Distributor-Stock-Check](#), [Detailed request for product](#), [Microsite](#)

**Technical Data**

Rated Current	4 - 16A @ Ta 40 °C
Rated voltage	500/288 VAC: 50/60 Hz
Approval for	4 - 16A @ Ta °C / 500/288 VAC; 50Hz
Overload Current	1.5 x Ir for 1 minute, per hour
Dielectric Strength	500/288 VAC:
	1.1 kVDC between L-L
	2.5 kVDC between L-PE Test voltage 2 sec
Weight	9 - 22 kg
Material: Housing	Metal
Sealing Compound	UL 94V-2

Mounting	Screw-on mounting on chassis, from top
Terminal	Screw clamps
Operating Temperature	-25 °C to 100 °C
Climatic Category	25/100/21 acc. to IEC 60068-1
Degree of Protection	IP 20 acc. to IEC 60529
Protection Class	Suitable for appliances with protection class I acc. to IEC 61140

**Approvals and Compliances**

Detailed information on product approvals, code requirements, usage instructions and detailed test conditions can be looked up in [Details about Approvals](#)

**Application standards**

Application standards where the product can be used

Organization	Design	Standard	Description
	Designed for applications acc.	IEC/UL 60950	IEC 60950-1 includes the basic requirements for the safety of information technology equipment.

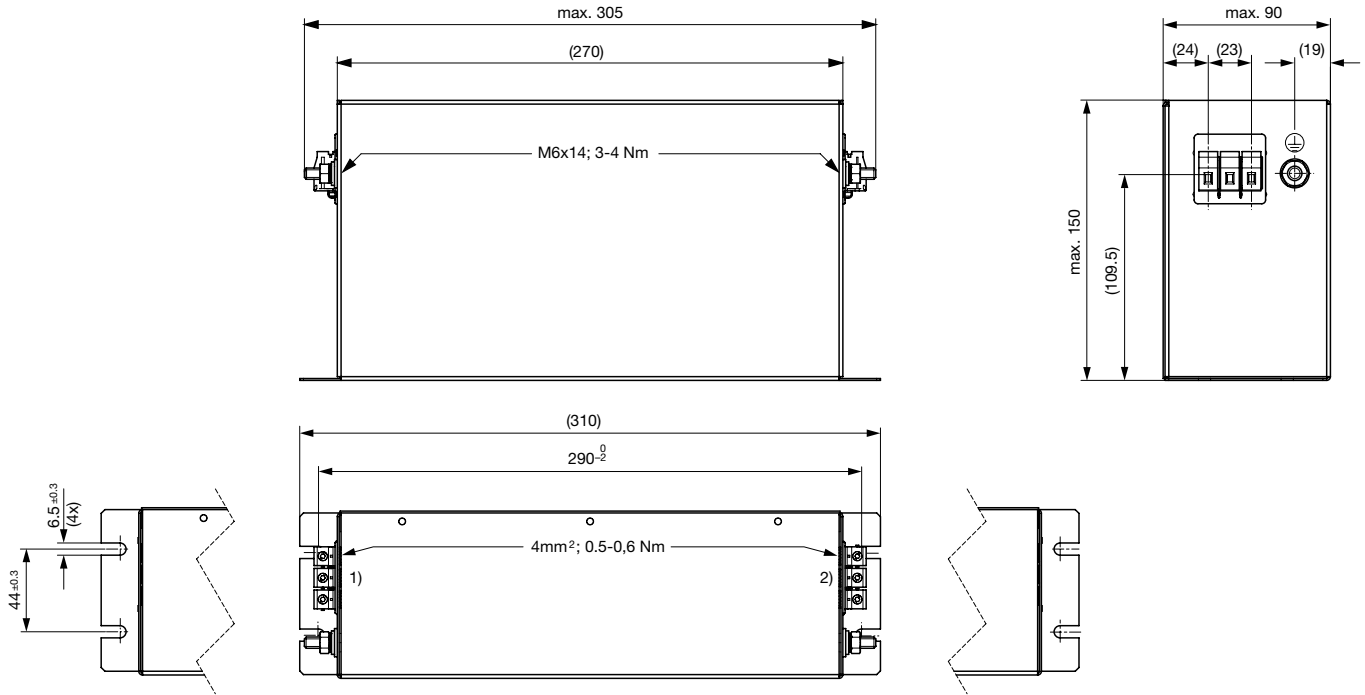
**Compliances**

The product complies with following Guide Lines

Identification	Details	Initiator	Description
	CE declaration of conformity	SCHURTER AG	The CE marking declares that the product complies with the applicable requirements laid down in the harmonisation of Community legislation on its affixing in accordance with EU Regulation 765/2008.
	RoHS	SCHURTER AG	EU Directive RoHS 2011/65/EU
	China RoHS	SCHURTER AG	The law SJ / T 11363-2006 (China RoHS) has been in force since 1 March 2007. It is similar to the EU directive RoHS.
	REACH	SCHURTER AG	On 1 June 2007, Regulation (EC) No 1907/2006 on the Registration, Evaluation, Authorization and Restriction of Chemicals 1 (abbreviated as "REACH") entered into force.

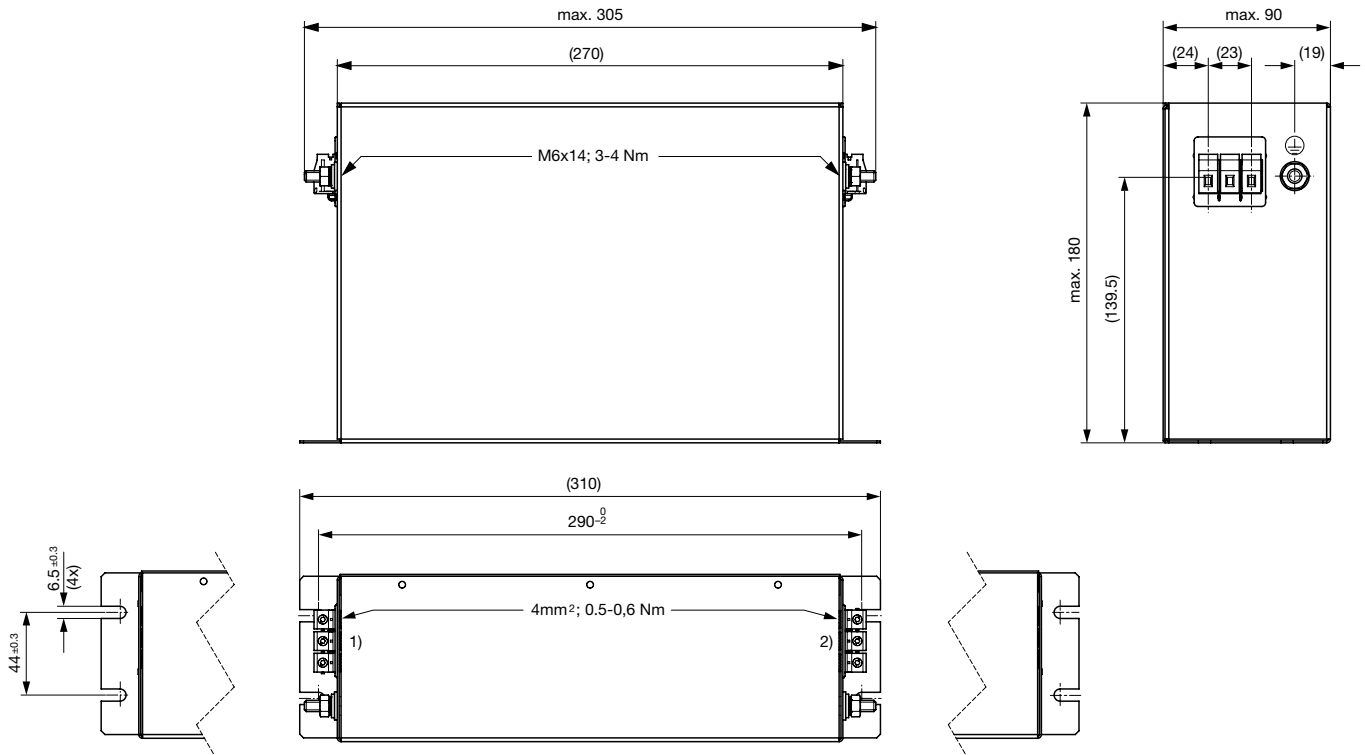
## Dimension [mm]

### Case 2K



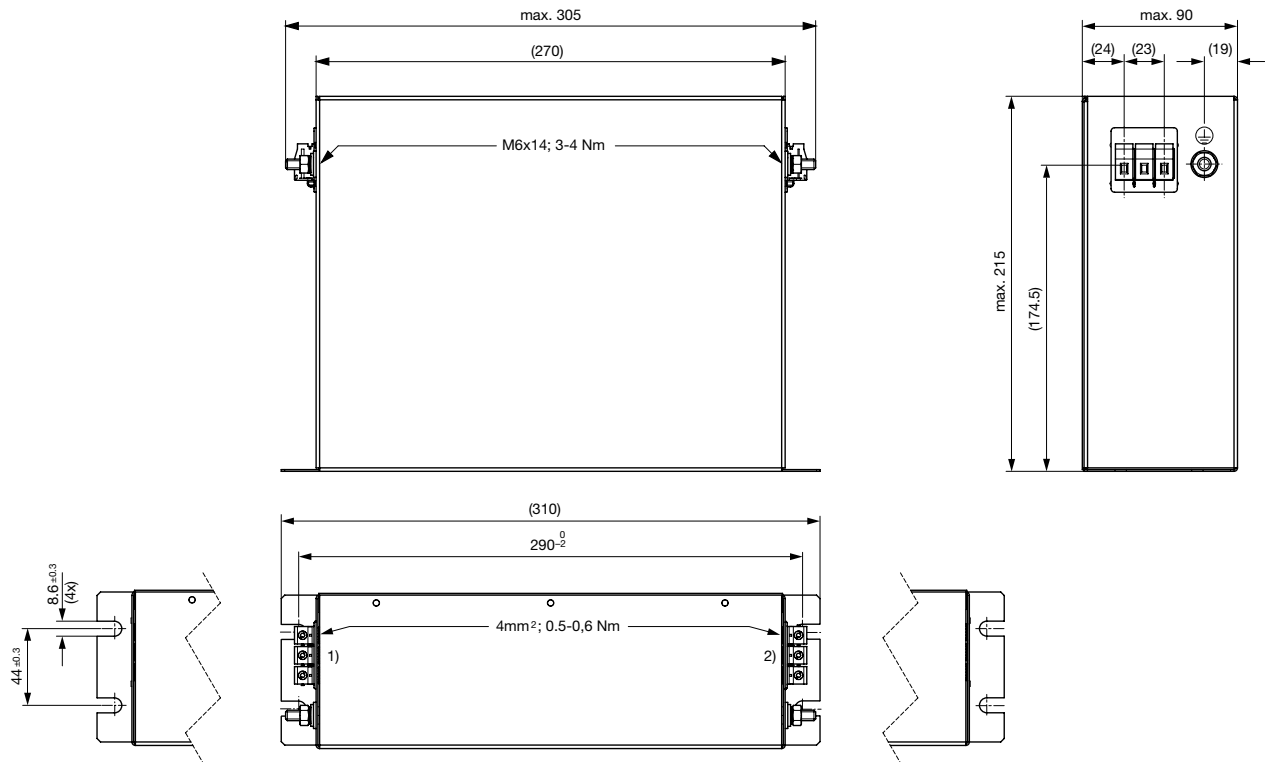
- 1) Inverter
- 2) Motor

### Case 2L



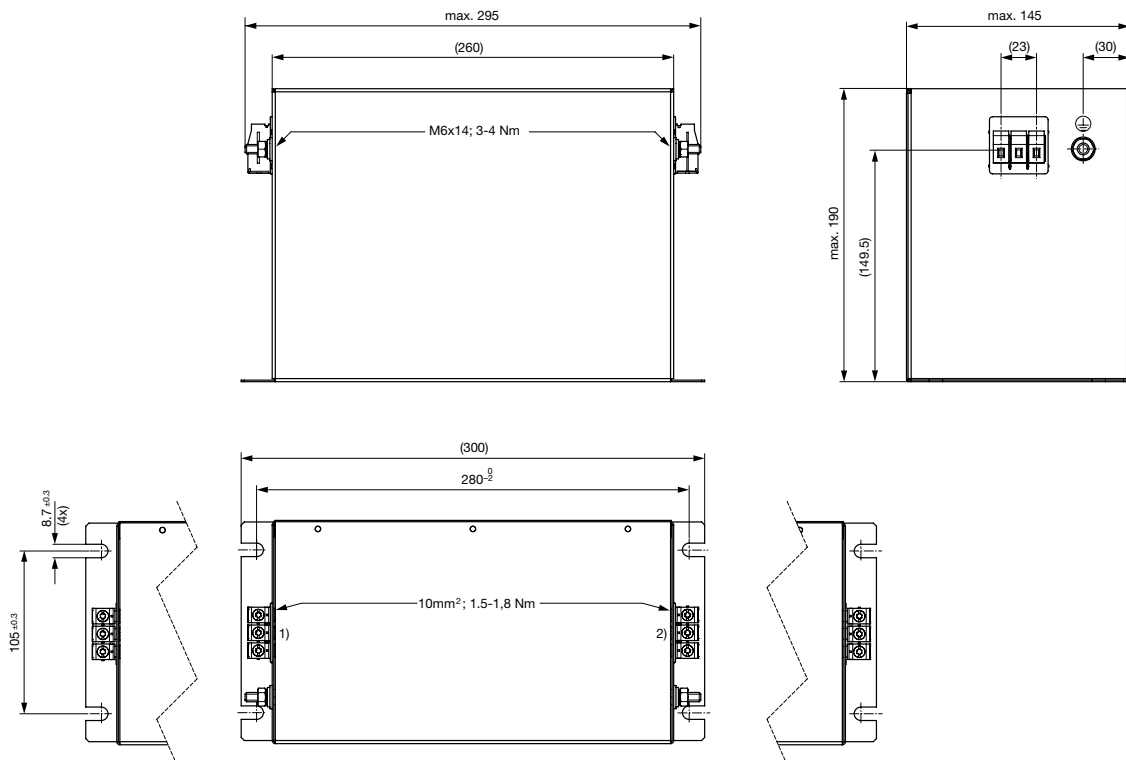
- 1) Inverter
- 2) Motor

Case 2M



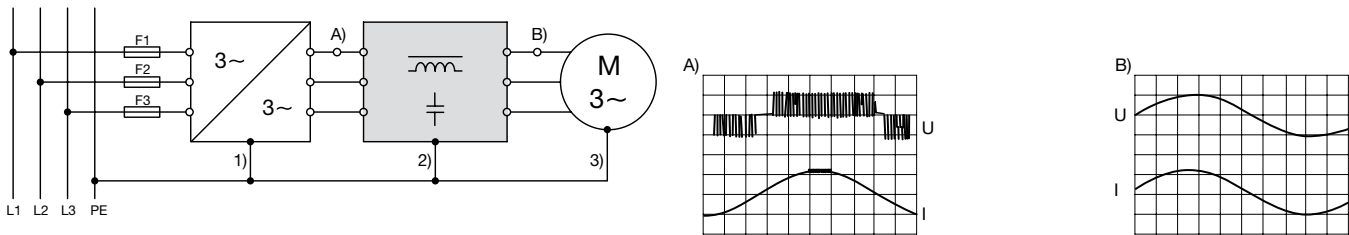
- 1) Inverter
- 2) Motor

Case 2N



- 1) Inverter
- 2) Motor

## Diagrams



1) Inverter 2) Sine wave output filter 3) Motor

## All Variants

Rated Current	Rated voltage	Switching frequency	Motor frequency	Rated motor power	Motor cable length	DC resistance	Total power loss	Weight	Housings	Order Number
[A]	[VAC]	[kHz]	[Hz]	[kW]	[m]	[mΩ]	[W]	[kg]		
4	500/288	2...20	0...200	1.5	200m	400	7	9 kg	2K	<a href="#">FMAC-0S2K-0462-A</a>
8	500/288	2...20	0...200	3.0	200m	180	12	12 kg	2L	<a href="#">FMAC-0S2L-0862-A</a>
12	500/288	2...20	0...200	5.5	200m	120	18	15 kg	2M	<a href="#">FMAC-0S2M-1262-A</a>
16	500/288	2...20	0...200	7.5	200m	170	44	22 kg	2N	<a href="#">FMAC-0S2N-1662-A</a>

Availability for all products can be searched real-time: <https://www.schurter.com/en/Stock-Check/Stock-Check-SCHURTER>

**Packaging unit** 1 Pcs