

# Adapter - IFS-BT-PROG-ADAPTER - 2905872

Please be informed that the data shown in this PDF Document is generated from our Online Catalog. Please find the complete data in the user's documentation. Our General Terms of Use for Downloads are valid (<http://phoenixcontact.com/download>)

Bluetooth adapter with micro USB and S-PORT interface for wireless communication with the MINI Analog, MINI Analog Pro, MACX Analog, INTERFACE system gateways, and PLC logic device series.




## Product Description

Bluetooth adapter with micro USB and S-PORT interface for wireless programming and/or monitoring. The adapter can be used for the following device series with programming interface: MINI Analog, MINI Analog Pro, MACX Analog, INTERFACE system gateways, PLC logic (monitoring only). The driver is included in the software solutions for the products to be programmed, such as measuring transducers.



## Key Commercial Data

Packing unit	1 pc
GTIN	 4 055626 003917
GTIN	4055626003917

## Technical data

### Ambient conditions

Ambient temperature (operation)	-25 °C ... 65 °C
Ambient temperature (storage/transport)	-25 °C ... 70 °C

### General

Connection 1	Device side
Connection method	Micro USB type B
Connection 2	Device side
Connection method	S-PORT
ATEX	# II 3 G Ex ic IIC T4 Gc X

### Dimensions

Width	38 mm
Height	30.6 mm
Depth	9.6 mm

### Ambient conditions

# Adapter - IFS-BT-PROG-ADAPTER - 2905872

## Technical data

### Ambient conditions

Ambient temperature (operation)	-25 °C ... 65 °C
Ambient temperature (storage/transport)	-25 °C ... 70 °C

### General

Housing material	PA 646
ATEX	# II 3 G Ex ic IIC T4 Gc X

### Standards and Regulations

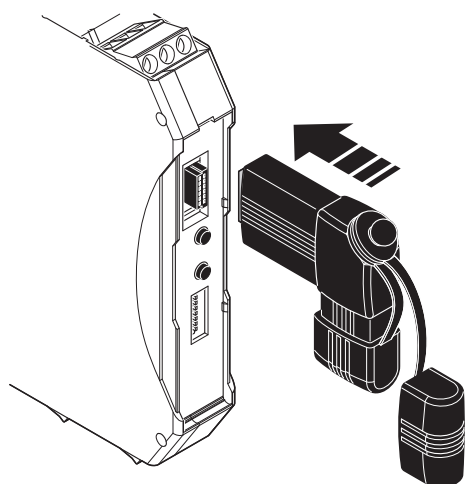
ATEX	# II 3 G Ex ic IIC T4 Gc X
DNV GL-Temperature	B
DNV GL-Humidity	B
DNV GL-Vibration	A
DNV GL-EMC	A
DNV GL-Enclosure	Required protection according to the Rules shall be provided upon installation on board
MIC rating	Japan MIC (RF) ID:007-AB0221

### Environmental Product Compliance

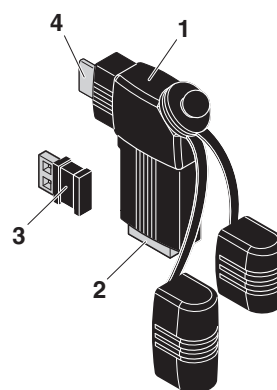
China RoHS	Environmentally Friendly Use Period = 50
	For details about hazardous substances go to tab "Downloads", Category "Manufacturer's declaration"

## Drawings

Schematic diagram



Schematic diagram

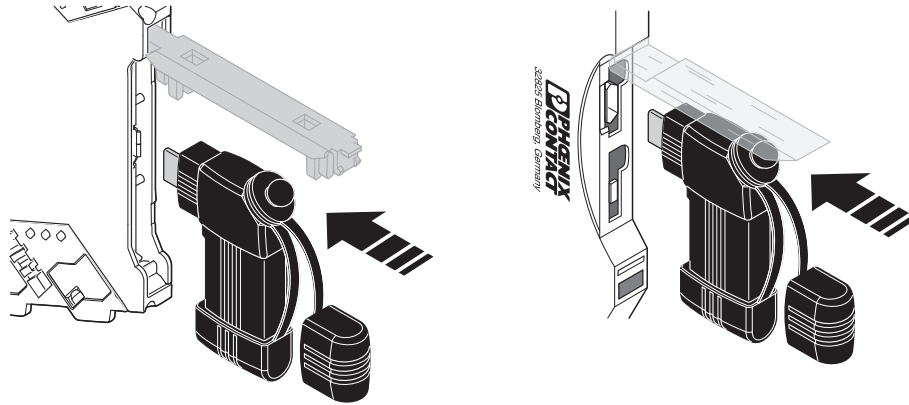


- 1 Device adapter
- 2 S-PORT interface
- 3 PC adapter
- 4 µUSB interface

Connection to MACX Analog and INTERFACE system gateways

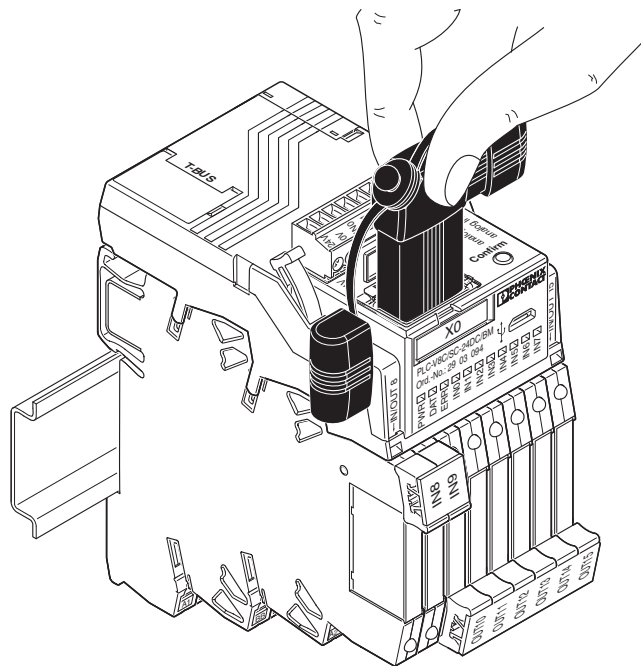
# Adapter - IFS-BT-PROG-ADAPTER - 2905872

Schematic diagram



Connection to MINI Analog and MINI Analog Pro

Schematic diagram



Connection to PLC logic

Approvals

Approvals

Approvals

EAC / DNV GL


# Adapter - IFS-BT-PROG-ADAPTER - 2905872

## Approvals

Ex Approvals

---

### Approval details

EAC		RU C- DE.A*30.B.01742
-----	---	--------------------------

DNV GL		<a href="http://exchange.dnv.com/tari/">http://exchange.dnv.com/tari/</a>	TAA000021E
--------	---	---	------------

---

Phoenix Contact 2019 © - all rights reserved  
<http://www.phoenixcontact.com>

PHOENIX CONTACT GmbH & Co. KG  
Flachsmarktstr. 8  
32825 Blomberg  
Germany  
Tel. +49 5235 300  
Fax +49 5235 3 41200  
<http://www.phoenixcontact.com>