

Pin strip - PST 1,0/ 2-3,5 R24 - 1720233

Please be informed that the data shown in this PDF Document is generated from our Online Catalog. Please find the complete data in the user's documentation. Our General Terms of Use for Downloads are valid (<http://phoenixcontact.com/download>)



Pin strip, nominal current: 8 A, rated voltage (III/2): 250 V, number of positions: 2, pitch: 3.5 mm, color: black, contact surface: Tin, mounting: THR soldering. The maximum current depends on the plug used. The lower of the two current values apply for plug and pin strip. The pin strip is made of highly temperature resistant plastic and is thus suitable for the reflow process.

The figure shows an 8-pos. version of the item in tape-on-reel packing

Your advantages

- Suitable for wave and reflow soldering processes
- Optimum pin geometry for all COMBICON pin strip connectors



Key Commercial Data

Packing unit	330 pc
Minimum order quantity	330 pc
GTIN	
GTIN	4046356115643

Technical data

Dimensions

Length [l]	2.8 mm
Width	6.6 mm
Pitch	3.5 mm
Dimension a	3.5 mm
Width [w]	6.6 mm
Height [h]	12.7 mm
Height	9.2 mm
Length of the solder pin	3.5 mm
Pin dimensions	ø 1 mm
Pin spacing	3.50 mm
Length	2.8 mm

Pin strip - PST 1,0/ 2-3,5 R24 - 1720233

Technical data

General

Range of articles	PST 1,0/..-V
Insulating material group	IIIa
Rated surge voltage (III/3)	2.5 kV
Rated surge voltage (III/2)	2.5 kV
Rated surge voltage (II/2)	2.5 kV
Rated voltage (III/3)	160 V
Rated voltage (III/2)	250 V
Rated voltage (II/2)	250 V
Connection in acc. with standard	EN-VDE
Nominal current I_N	8 A (depends on the plug used)
Maximum load current	8 A (depends on the plug used)
Insulating material	PA
Flammability rating according to UL 94	V0
Color	black
Number of positions	2

Standards and Regulations

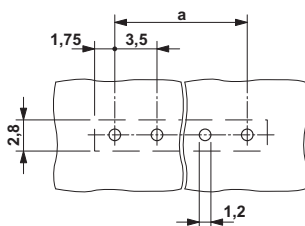
Connection in acc. with standard	EN-VDE
	CUL
Flammability rating according to UL 94	V0

Environmental Product Compliance

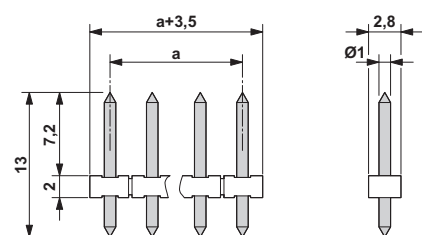
China RoHS	Environmentally friendly use period: unlimited = EFUP-e
	No hazardous substances above threshold values

Drawings

Drilling diagram

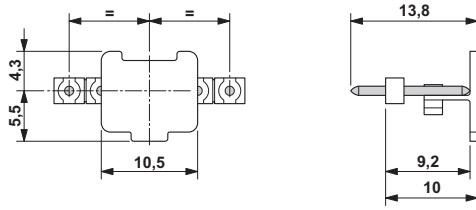


Dimensional drawing

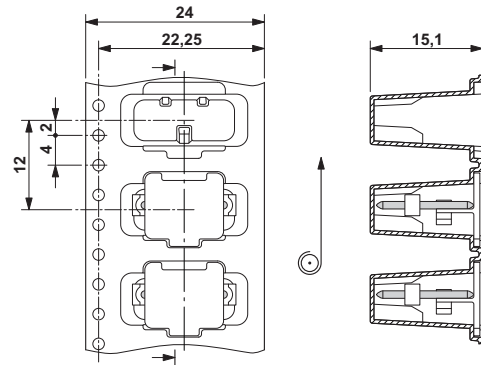


Pin strip - PST 1,0/ 2-3,5 R24 - 1720233

Dimensional drawing



Dimensional drawing



Pad position for PST 1,0/...-3,5 R...

Approvals

Approvals

Approvals

SEV / SEV / EAC / cULus Recognized

Ex Approvals

Approval details


SEV		https://www.electrosuisse.ch/de/meta/shop/produktezertifikate.html	IK-3558-M2
Nominal voltage UN		160 V	
Nominal current IN		6 A	

SEV		https://www.electrosuisse.ch/de/meta/shop/produktezertifikate.html	IK-3558-M2
Nominal voltage UN		160 V	
Nominal current IN		4 A	
mm ² /AWG/kcmil		0.5	

Pin strip - PST 1,0/ 2-3,5 R24 - 1720233

Approvals

EAC		B.01742
-----	---	---------

cULus Recognized		http://database.ul.com/cgi-bin/XYV/template/LISEXT/1FRAME/index.htm	E60425-20030211
		B	
Nominal voltage UN		300 V	
Nominal current IN		10 A	

Phoenix Contact 2019 © - all rights reserved
<http://www.phoenixcontact.com>

PHOENIX CONTACT GmbH & Co. KG
Flachsmarktstr. 8
32825 Blomberg
Germany
Tel. +49 5235 300
Fax +49 5235 3 41200
<http://www.phoenixcontact.com>