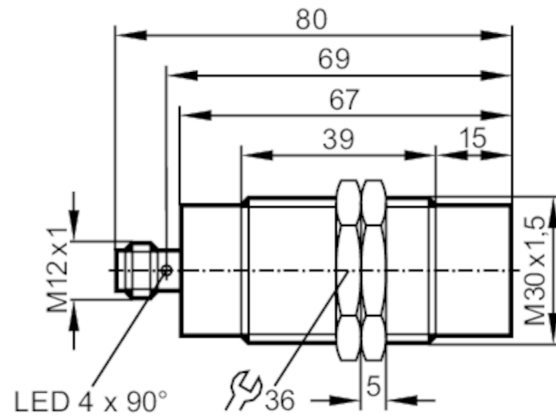


# GI701S



## Fail-safe inductive sensor

GIIA-4030-US/2OSSD/V4A



Application		
Type of operation		continuous operation (maintenance-free)
Electrical data		
Operating voltage [V]		19.2...30 DC
Rated insulation voltage [V]		30
Current consumption [mA]		< 30
Protection class		III
Reverse polarity protection		yes
Max. power-on delay time [ms]		5000
Outputs		
Electrical design		PNP
Output function		2 x OSSD (A1 and A2)
Max. voltage drop switching output DC [V]		2.5; (100 mA)
Permanent current rating of switching output DC [mA]		100
Output data		Interface type C class 0
Output voltage at 24 V		compatible with EN 61131-2 inputs type 1, 2, 3
Short-circuit protection		yes
Max. capacitive load CL_max [nF]		20
Monitoring range		
Enable zone [mm]		6...12
Safe switching-off distance s(ar) [mm]		30
Reaction times		
Response time to safety request [ms]		50
Response time when approaching the enable zone [ms]		200
Risk time (response time for safety-related faults) [ms]		100

# GI701S



## Fail-safe inductive sensor

GIIA-4030-US/2OSSD/V4A

Operating conditions		
Applications	Class C to EN 60654-1 weatherproof application	
Ambient temperature [°C]	-25...70	
Note on ambient temperature	operational life ≤ 87600 h	
Ambient temperature [°C]	10...40	
Note on ambient temperature	operational life ≤ 175200 h	
Rate of temperature change [K/min]	0.5	
Max. relative air humidity [%]	briefly: 5...95 %; permanent: 5...70 %	
Air pressure [kPa]	80...106	
Max. height above sea level [m]	2000	
Ionising radiation	not permissible	
Salt spray	no	
Protection	IP 68; IP 69K	
Tests / approvals		
EMC	IEC 60947-5-2	
	IEC 60947-5-3	
	EN 61000-4-2 ESD	6 kV CD / 8 kV AD
	EN 61000-4-3 HF radiated	20 V/m
	EN 61000-4-4 Burst	2 kV
	EN 61000-4-6 HF conducted	10 V
	EN 61000-4-8	30 A/m
	EN 55011	class B
Shock resistance	IEC 60947-5-2	
Vibration resistance	IEC 60947-5-2	
UL approval	Ta	-25...70 °C
	Enclosure type	Type 1
	voltage supply	Limited Voltage/Current
	File number UL	E174191
Safety classification		
ISO 13849-1	Category 3, PL e	
IEC 61508	SIL 3	
IEC 62061	SILCL 3	
Mission time TM [h]	≤ 175200	
Mission time TM (additional indication)	20 years	
Safety-related reliability PFHD [1/h]	1E-08	
Mechanical data		
Weight [g]	259.5	
Housing	Threaded type	
Mounting	non-flush mountable	
Dimensions [mm]	M30 x 1.5 / L = 80	
Thread designation	M30 x 1.5	
Material	stainless steel (1.4404 / 316L); PBT	

# GI701S



## Fail-safe inductive sensor

GIIA-4030-US/2OSSD/V4A

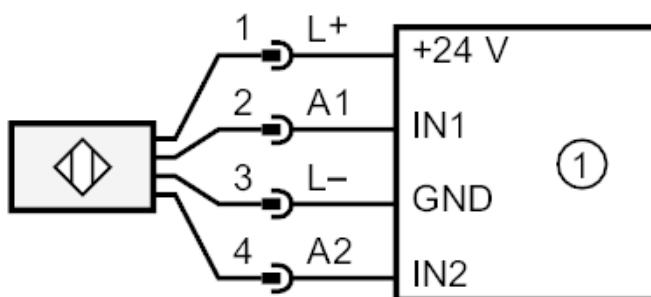
Displays / operating elements		
Display	Power	1 x LED, green
	signal	1 x LED, yellow
Accessories		
Accessories (supplied)	lock nuts: 2	
Remarks		
Remarks	Unless stated otherwise, all data refer to the reference target plate to IEC 60947-5-2 over the whole temperature range. (FE360 = ST37K) 45x45x1 mm	
Pack quantity	1 pcs.	

### Electrical connection - plug

Connector: 1 x M12; Contacts: gold-plated



### Connection



1: Safety-related logic unit