

Item Number HSR-376R Series Contact Form B Switch Configuration SPST Rev. D

World's Smallest Form B Reed Switch

Features	Advantages
<ul style="list-style-type: none"> • True Form B • Not polarity sensitive • Hermetically sealed Rhodium contacts • Materials are Lead free and RoHS compliant 	<ul style="list-style-type: none"> • Not ESD sensitive • Unique blade design • Intended for signal level switching

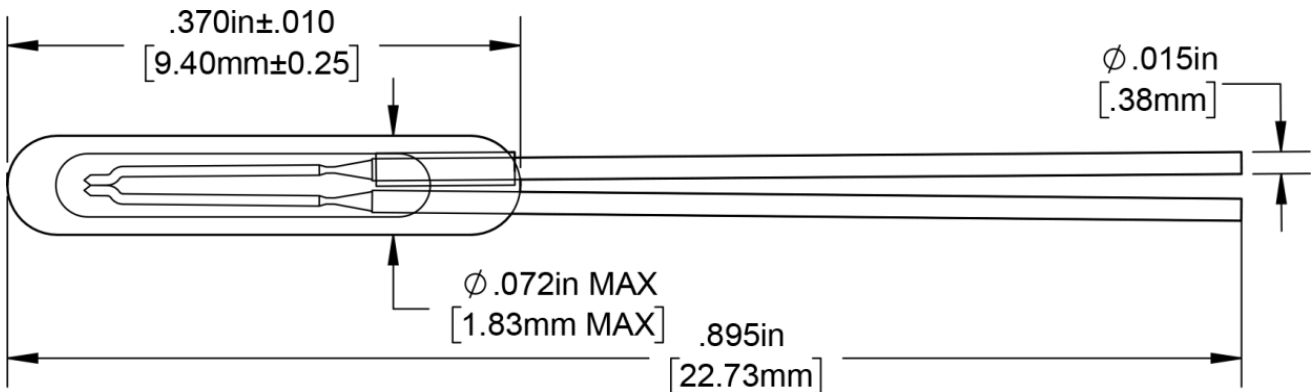
Electrical Specifications

Power		Watts - maximum	2
Voltage	Switching	VDC - maximum	36
	Breakdown	VDC - minimum	N/A
Current	Switching	Amp - maximum	0.1
	Carry	Amp - maximum	2.0
Resistance	Initial Contact Resistance	Ohm - maximum	0.35
	Insulation Resistance	Ohm - minimum	1 E8
Capacitance	Contact	pF - typical	2.0
Temperature	Operating	°C	-40 to +125
	Storage	°C	-40 to +200

Physical/Operational Specifications

Assembly Volume	Excluding Connection	CC - nominal	0.025
External Connection		Alloy 52 leads	Tin Plated
Must Operate	Distance	inches	.100*
Must Release	Distance	inches	Δ .050 Max.
Operate Time	Including Bounce	mSeconds - maximum	N/A
Release Time		mSeconds - maximum	N/A

*Specifications relative to approximately 1300 Gauss Actuator



Notes:

- (1) Customer must exercise care in handling, mounting, lead forming, and cutting to prevent damage to glass capsule and/or switch sensitivity.
- (2) For information about performance, custom configurations, mounting options or packaging contact our Sales department.
- (3) Information contained hereon is for informational purposes only and should not be deemed as accurate for a specific application. Consult factory for specific application information and/or latest revision..