

Item Number HSR-0025R Series Contact Form A Switch Configuration SPST Rev. D

**World's Smallest and Most Sensitive Magnetically Operated Reed Switch**

Features	Advantages
<ul style="list-style-type: none"> <li>• World's smallest reed switch</li> <li>• Hermetically sealed Rhodium contacts</li> <li>• Materials are Lead free and RoHS compliant</li> </ul>	<ul style="list-style-type: none"> <li>• Maximum sensitivity in a miniature size</li> <li>• Hi-Rel versions available</li> <li>• Not ESD sensitive</li> <li>• Ideal for proximity sensors and reed relays</li> </ul>

**Electrical Specifications**

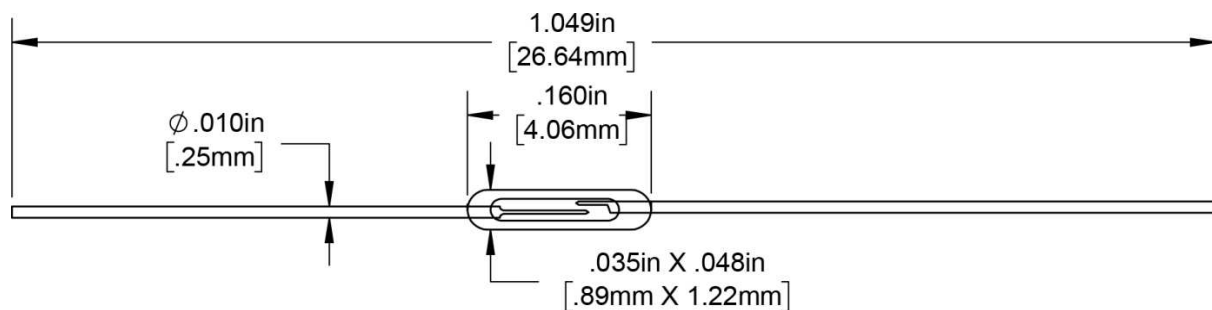
Power		Watts - maximum	0.5
Voltage	Switching	VDC - maximum	30
	Breakdown	VDC - minimum	100
Current	Switching	Amp - maximum	0.01
	Carry	Amp - maximum	0.7
Resistance	Initial Contact Resistance	Ohm - maximum	0.75
	Insulation Resistance	Ohm - minimum	1 E11
Capacitance	Contact	pF - typical	0.7
Temperature	Operating	°C	-40 to +125
	Storage	°C	-40 to +200

**Magnetic Specifications**

Pull - In Range		Ampere Turns	4-15
Test Coil		NARM RS-421-A	Coil I

**Physical/Operational Specifications**

Capsule Volume	Excluding Leads	CC - nominal	0.004
Contact Material			Rhodium
Operate Time	Including Bounce	mSeconds - maximum	0.30
Release Time		mSeconds - maximum	0.20



**Notes:**

- (1) Specifications are not constant across entire magnetic range.
- (2) Customer must exercise care in handling, mounting, lead forming, and cutting to prevent damage to glass capsule and/or switch sensitivity.
- (3) For information about performance, custom configurations, mounting options or packaging contact our Sales department.
- (4) Information contained hereon is for informational purposes only and should not be deemed as accurate for a specific application. Consult factory for specific application information and/or latest revision.