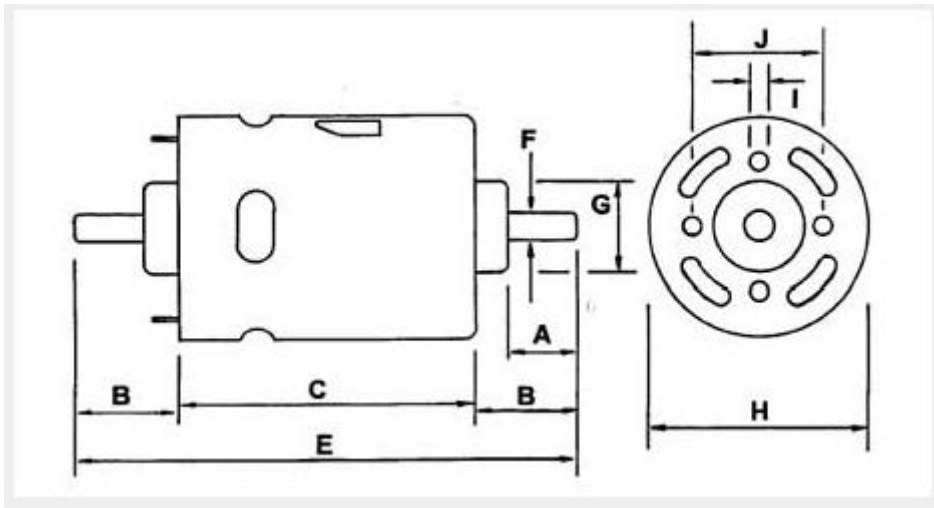


Datasheet

RS Pro Miniature DC Motor without bracket

Stock No: 321-3192



Dimensions

- A – 13.2mm (0.52in)
- B – 20.5mm (0.81in)
- C – 69.0mm (2.72in)
- E – 110.0mm (4.33in)
- F – 6.35mm (0.25in)
- G – 21.75mm (0.86in)
- H – 51.8mm (2.04in)
- I – M5
- J – 32.0mm (1.26in)

Weight 595g (approx)

Voltage Operating Range	No Load		At Maximum Efficiency						
	Nominal	Speed R.P.M.	Current A	Speed R.P.M.	Current A	Torque		Output W	Eff %
						OZ - IN	mN-m		
12.0V	12 V Constant	9778	1.90	8311	10.82	-	92.13	80.16	614

Stall Current RE 850 at 12v = 61.34A

Stall Torque – 614 mNm