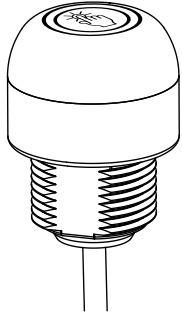


EZ-LIGHT® Touch Gen 2 K30 FDA-Grade Pick-to-Light



Datasheet

Compact, single-point devices for error-proofing of bin-picking operations



- FDA-grade materials; rated to IEC IP67, IP68, and IP69K
- Laser marked information withstands aggressive cleaning procedures
- Excellent immunity to false triggering by water spray, detergents, oils, and other foreign materials
- Rugged, cost-effective and easy-to-install solutions for error-proofing and parts-verification applications
- Compact devices are completely self contained—No controller needed
- Illuminated dome provides an easy-to-see green job light: some models also light red for alternate operation
- Easy actuation—no force required
- 12 to 30 V dc operation
- Can be actuated with bare hands or in gloves

Models

Model ¹	Function	Output	Connection	Job Light	
K30APT2FGXDQP	<ul style="list-style-type: none"> • Job light is ON at all times while job input is active • Touch activates output 	PNP, NO	150 mm (6 in) pigtail PVC cable with a 4-pin M12/Euro-style male, stainless steel, quick disconnect (QD)	Green	
K30RPT2FGXDQP		PNP, NC			
K30ANT2FGXDQP		NPN, NO			
K30RNT2FGXDQP		NPN, NC			
K30APT2FGRCQP	<ul style="list-style-type: none"> • Job light is Green while job input is active • Touch activates output and overrides job light (turns Red) for visual verification that action was sensed 	PNP, NO		Green (Red)	
K30RPT2FGRCQP		PNP, NC			
K30ANT2FGRCQP		NPN, NO			
K30RNT2FGRCQP		NPN, NC			
K30APT2FGREQP	<ul style="list-style-type: none"> • Job light is Green at all times while job input is active • Touch activates output • A touch while job input is inactive causes unit to light Red, providing visual verification that sensor is functioning properly 	PNP, NO			Green (Red)
K30RPT2FGREQP		PNP, NC			
K30ANT2FGREQP		NPN, NO			
K30RNT2FGREQP		NPN, NC			

Specifications

Supply Voltage
12 to 30 V dc

Supply Current
55 mA max current (exclusive of load)

Supply Protection Circuitry
Protected against reverse polarity and transient voltages

Output Rating
Maximum Load: 150 mA
ON-state saturation voltage: < 2 V at 10 mA dc; < 2.5 V at 150 mA dc
OFF-state leakage current: < 10 µA at 30 V dc

Output Response Time:
150 milliseconds On and Off

Power-Up Delay
300 milliseconds

Construction
Base, dome, and nut: FDA-grade polycarbonate

Indicators
Job ("Pick") Indicator: Green
Pick Sensed Indicator: Red or Off, depending on model

Mounting
M22 × 1.5 Threaded base, max torque 2.25 N·m (20 in-lbf)

Connections
150 mm (6 in) pigtail PVC cable with a 4-pin M12/Euro-style male, stainless steel, quick disconnect (QD) or 2 m (6.5 ft) unterminated PVC-jacketed cable, depending on model

¹ To order the 2 m (6.5 ft) PVC cable models, omit suffix QP from model number (example, K30APT2FGXD). A model with a QD requires a mating cable (see Cordsets).



Vibration and Mechanical Shock

Vibration 10 Hz to 55 Hz 1.0 mm p-p amplitude per IEC 60068-2-6
 Shock 30G 11 ms duration, half sine wave per IEC 60068-2-27

Environmental Rating

IEC IP67, IP69K per DIN 40050-9.

Storage

-40 °C to +70 °C (-40 °F to +158 °F)

Operating Conditions

Temperature: -40 °C to +50 °C (-40 °F to +122 °F)
 Humidity: 90% at 50 °C maximum relative humidity (non-condensing)

Certifications



Required Overcurrent Protection

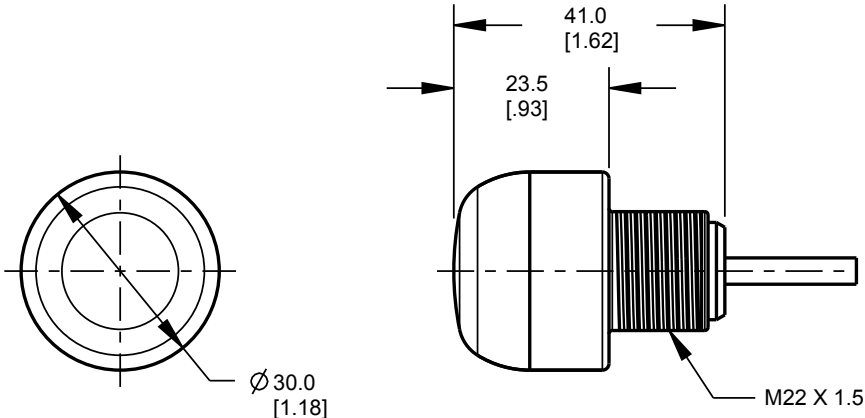


WARNING: Electrical connections must be made by qualified personnel in accordance with local and national electrical codes and regulations.

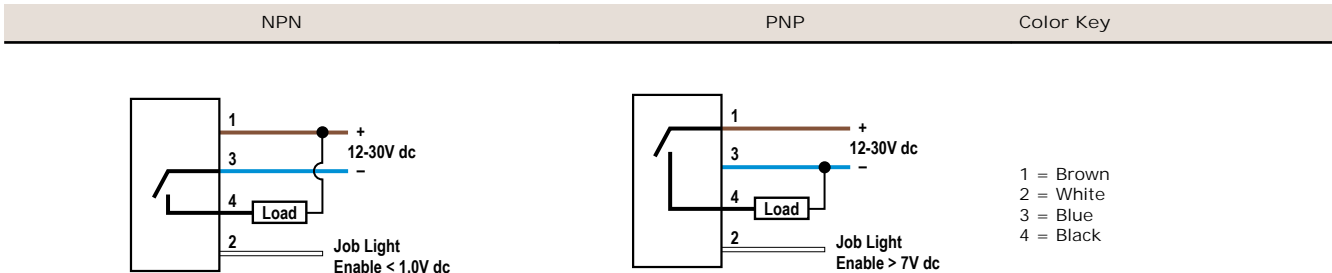
Overcurrent protection is required to be provided by end product application per the supplied table.
 Overcurrent protection may be provided with external fusing or via Current Limiting, Class 2 Power Supply.
 Supply wiring leads < 24 AWG shall not be spliced.
 For additional product support, go to <http://www.bannerengineering.com>.

Supply Wiring (AWG)	Required Overcurrent Protection (Amps)
20	5.0
22	3.0
24	2.0
26	1.0
28	0.8
30	0.5

Dimensions



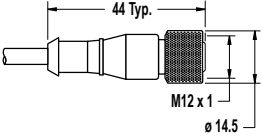
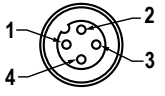
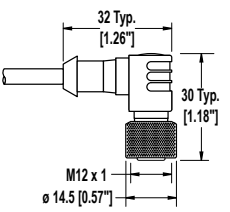
Wiring Diagrams

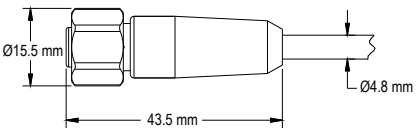
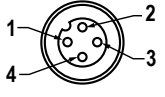


Cabled wiring diagrams are shown. Quick disconnect (QD) wiring diagrams are functionally identical.

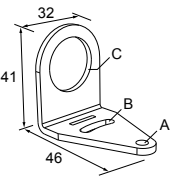
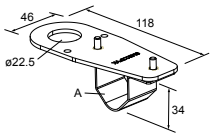
Accessories

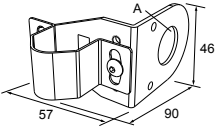
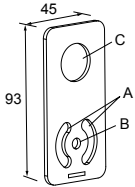
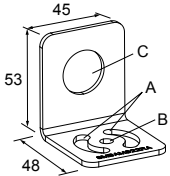
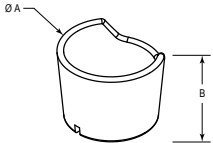
Cordsets

4-Pin Threaded M12/Euro-Style Cordsets				
Model	Length	Style	Dimensions	Pinout (Female)
MQDC-406	1.83 m (6 ft)	Straight		 <p>1 = Brown 2 = White 3 = Blue 4 = Black</p>
MQDC-415	4.57 m (15 ft)			
MQDC-430	9.14 m (30 ft)			
MQDC-450	15.2 m (50 ft)			
MQDC-406RA	1.83 m (6 ft)	Right-Angle		
MQDC-415RA	4.57 m (15 ft)			
MQDC-430RA	9.14 m (30 ft)			
MQDC-450RA	15.2 m (50 ft)			

4-Pin Threaded M12/Euro-Style Cordsets—Washdown, Stainless Steel				
Model	Length	Style	Dimensions	Pinout (Female)
MQDC-WDSS-0406	1.83 m (6 ft)	Straight		 <p>1 = Brown 2 = White 3 = Blue 4 = Black</p>
MQDC-WDSS-0415	4.57 m (15 ft)			
MQDC-WDSS-0430	9.14 m (30 ft)			

Brackets

<p>SMB22A</p> <ul style="list-style-type: none"> Right-angle bracket with curved slot for versatile orientation 12-ga. stainless steel Mounting hole for 22 mm sensor  <p>Hole center spacing: A to B = 26.0 Hole size: A = ø 4.6, B = 4.6 x 16.9, C = 22.2</p>	<p>SMB22FVK</p> <ul style="list-style-type: none"> V-clamp, flat bracket and fasteners for mounting to pipe or extensions Clamp accommodates 28 mm diameter tubing or 1 in. square extrusions 22 mm hole for mounting sensor  <p>Hole size: A = ø 22.5</p>
--	---

<p>SMB22RAVK</p> <ul style="list-style-type: none"> • V-clamp, right-angle bracket and fasteners for mounting to pipe or extensions • Clamp accommodates 28 mm diameter tubing or 1 in. square extrusions • 22 mm hole for mounting sensor  <p>Hole size: A = \varnothing 22.5</p>	<p>SMBAMS22P</p> <ul style="list-style-type: none"> • Flat SMBAMS series bracket with 22 mm hole for mounting sensors • Articulation slots for 90+° rotation • 12-ga. (2.6 mm) cold-rolled steel  <p>Hole center spacing: A = 26.0, A to B = 13.0</p> <p>Hole size: A = 26.8 x 7.0, B = \varnothing 6.5, C = \varnothing 22.5</p>
<p>SMBAMS22RA</p> <ul style="list-style-type: none"> • Right-angle SMBAMS series bracket with 22 mm hole for mounting sensors • Articulation slots for 90+° rotation • 12-ga. (2.6 mm) cold-rolled steel  <p>Hole center spacing: A = 26.0, A to B = 13.0</p> <p>Hole size: A = 26.8 x 7.0, B = \varnothing 6.5, C = \varnothing 22.5</p>	<p>TC-K30-CL</p> <ul style="list-style-type: none"> • Touch cover  <p>Diameter: A = 40.7</p> <p>Height: B = 31</p>

All measurements are listed in millimeters, unless noted otherwise.

Banner Engineering Corp. Limited Warranty

Banner Engineering Corp. warrants its products to be free from defects in material and workmanship for one year following the date of shipment. Banner Engineering Corp. will repair or replace, free of charge, any product of its manufacture which, at the time it is returned to the factory, is found to have been defective during the warranty period. This warranty does not cover damage or liability for misuse, abuse, or the improper application or installation of the Banner product.

THIS LIMITED WARRANTY IS EXCLUSIVE AND IN LIEU OF ALL OTHER WARRANTIES WHETHER EXPRESS OR IMPLIED (INCLUDING, WITHOUT LIMITATION, ANY WARRANTY OF MERCHANTABILITY OR FITNESS FOR A PARTICULAR PURPOSE), AND WHETHER ARISING UNDER COURSE OF PERFORMANCE, COURSE OF DEALING OR TRADE USAGE.

This Warranty is exclusive and limited to repair or, at the discretion of Banner Engineering Corp., replacement. IN NO EVENT SHALL BANNER ENGINEERING CORP. BE LIABLE TO BUYER OR ANY OTHER PERSON OR ENTITY FOR ANY EXTRA COSTS, EXPENSES, LOSSES, LOSS OF PROFITS, OR ANY INCIDENTAL, CONSEQUENTIAL OR SPECIAL DAMAGES RESULTING FROM ANY PRODUCT DEFECT OR FROM THE USE OR INABILITY TO USE THE PRODUCT, WHETHER ARISING IN CONTRACT OR WARRANTY, STATUTE, TORT, STRICT LIABILITY, NEGLIGENCE, OR OTHERWISE.

Banner Engineering Corp. reserves the right to change, modify or improve the design of the product without assuming any obligations or liabilities relating to any product previously manufactured by Banner Engineering Corp.