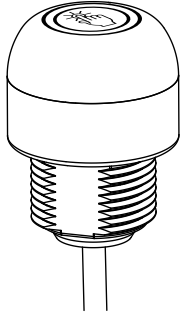


# EZ-LIGHT® Touch Gen 2 K30 FDA-Grade Series Illuminated Multipurpose Buttons



## Datasheet

General Purpose Multicolor Indicator with Independent Momentary Touch Button Output



- FDA-grade materials; rated to IEC IP67, IP68, and IP69K
- Laser marked information withstands aggressive cleaning procedures
- Excellent immunity to false triggering by water spray, detergents, oils, and other foreign materials
- Rugged, cost-effective, and easy-to-install multicolor indicator with touch button
- Two or three independent colors in one unit: Color 3 overrides Colors 1 and 2, Color 2 overrides Color 1
- Available with PNP and NPN inputs/outputs, depending on model
- Ergonomically designed to eliminate hand, wrist, and arm stresses associated with repeated switch operation; require no physical force to operate
- Can be actuated with bare hands or gloves
- 12 V dc to 30 V dc operation

## Models

### 2 Color Models

Model <sup>1</sup>	I/O Type	Output State	Light Color 1 (Power Applied)	Light Color 2 (Input Active)	Connection	
K30APT2FXRF2QP	PNP	N.O.	-	Red	2 m (6.5 ft) unterminated PVC-jacketed cable or 150 mm (6 in) PVC cable with a 5-pin M12/Euro-style, stainless steel quick disconnect	
K30APT2FXGF2QP			-	Green		
K30APT2FGRF2QP			Green	Red		
K30APT2FRGF2QP			Red	Green		
K30ANT2FXRF2QP	NPN		-	Red		2 m (6.5 ft) unterminated PVC-jacketed cable or 150 mm (6 in) PVC cable with a 5-pin M12/Euro-style, stainless steel quick disconnect
K30ANT2FXGF2QP			-	Green		
K30ANT2FGRF2QP			Green	Red		
K30ANT2FRGF2QP			Red	Green		

### 3 Color Model

Model <sup>1</sup>	I/O Type	Output State	Color 1	Color 2	Color 3	Connection
K30APT2FGRYF2QP	PNP	N.O.	Green	Red	Yellow	2 m (6.5 ft) unterminated PVC-jacketed cable or 150 mm 8-pin M12/Euro-style male, stainless steel, quick disconnect (QD)

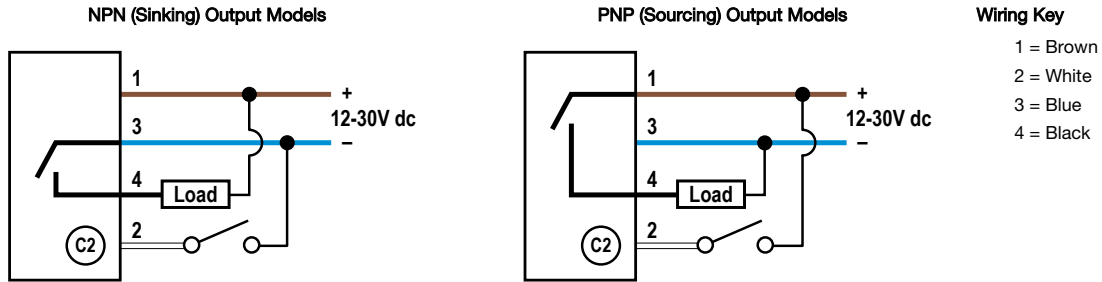
<sup>1</sup>

- To order the 2 m (6.5 ft) PVC cable model, omit the suffix "QP" in the model number. For example, K30APT2FXRF2.
- Models with a quick disconnect require a mating cordset.



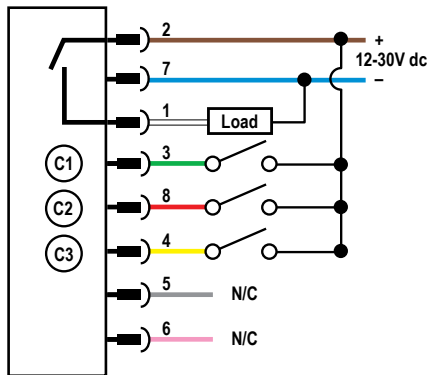
## Wiring

### 2 Color Models



### 3 Color Model

**PNP (Sourcing) Output Models**



**Wiring Key**

- 1 = White
- 2 = Brown
- 3 = Green
- 4 = Yellow
- 5 = Gray
- 6 = Pink
- 7 = Blue
- 8 = Red



**Note:**

Cabled wiring diagrams are shown. Quick disconnect wiring diagrams are functionally identical.

## Specifications

**Supply Voltage**

12 V dc to 30 V dc

**Supply Current**

55 mA max current (exclusive of load)

**Supply/Output Protection Circuitry**

Protected against reverse polarity and transient voltages

**Output Rating**

**Maximum Load:** 150 mA

**ON-state saturation voltage:** < 2 V dc at 10 mA; < 2.5 V dc at 150 mA

**OFF-state leakage current:** <10 µA at 30 V dc

**Output Response Time**

150 milliseconds On and Off

**Power-Up Delay**

300 milliseconds

**Connections**

2 m (6.5 ft) PVC integral cable or 150 mm (6 inch) pigtail PVC cable with a 5-pin or 8-pin M12/Euro-style male, stainless steel, quick disconnect (QD)

**Construction**

Base, dome, and nut: FDA-grade copolyester

**Mounting**

M22 × 1.5 Threaded base, max torque 2.25 N·m (20 in·lb)

**Environmental Rating**

IEC IP67, IP69K per DIN 40050-9.

**Operating Conditions**

**Temperature:** -40 °C to +50 °C (-40 °F to +122 °F)

**Humidity:** 90% at +50 °C maximum relative humidity (non-condensing)

**Storage Temperature**

-40 °C to +70 °C (-40 °F to +158 °F)

**Vibration and Mechanical Shock**

Vibration: 10 Hz to 55 Hz, 1.0 mm peak-to-peak amplitude per IEC 60068-2-6

Shock: 30G 11 ms duration, half sine wave per IEC 60068-2-27

**Certifications**



**Required Overcurrent Protection**



**WARNING:** Electrical connections must be made by qualified personnel in accordance with local and national electrical codes and regulations.

Overcurrent protection is required to be provided by end product application per the supplied table.

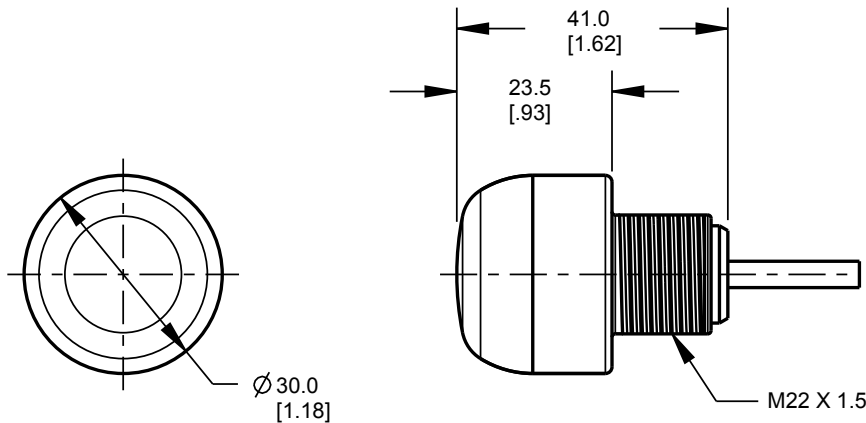
Overcurrent protection may be provided with external fusing or via Current Limiting, Class 2 Power Supply.

Supply wiring leads < 24 AWG shall not be spliced.

For additional product support, go to [www.bannerengineering.com](http://www.bannerengineering.com).

Supply Wiring (AWG)	Required Overcurrent Protection (Amps)
20	5.0
22	3.0
24	2.0
26	1.0
28	0.8
30	0.5

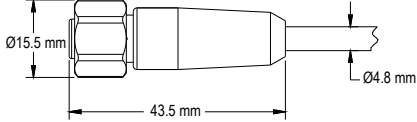
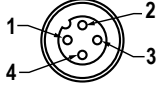
Dimensions



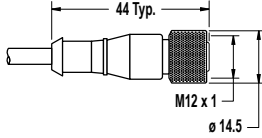
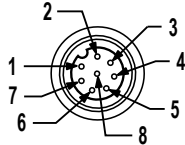
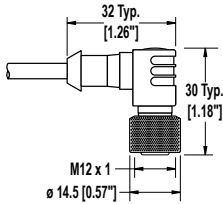
Accessories

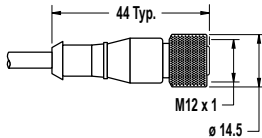
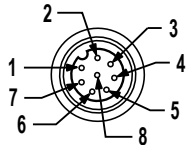
Cordsets

4-Pin Threaded M12/Euro-Style Cordsets				
Model	Length	Style	Dimensions	Pinout (Female)
MQDC-406	1.83 m (6 ft)	Straight		<p>1 = Brown 2 = White 3 = Blue 4 = Black</p>
MQDC-415	4.57 m (15 ft)			
MQDC-430	9.14 m (30 ft)			
MQDC-450	15.2 m (50 ft)			
MQDC-406RA	1.83 m (6 ft)	Right-Angle		
MQDC-415RA	4.57 m (15 ft)			
MQDC-430RA	9.14 m (30 ft)			
MQDC-450RA	15.2 m (50 ft)			

4-Pin Threaded M12/Euro-Style Cordsets—Washdown, Stainless Steel				
Model	Length	Style	Dimensions	Pinout (Female)
MQDC-WDSS-0406	1.83 m (6 ft)	Straight		 <p>1 = Brown 2 = White 3 = Blue 4 = Black</p>
MQDC-WDSS-0415	4.57 m (15 ft)			
MQDC-WDSS-0430	9.14 m (30 ft)			

Cordsets

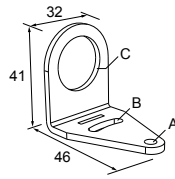
8-Pin Threaded M12/Euro-Style Cordsets with Open-Shield				
Model	Length	Style	Dimensions	Pinout (Female)
MQDC2S-806	1.83 m (6 ft)	Straight		 <p>1 = White 2 = Brown 3 = Green 4 = Yellow 5 = Gray 6 = Pink 7 = Blue 8 = Red</p>
MQDC2S-815	4.57 m (15 ft)			
MQDC2S-830	9.14 m (30 ft)			
MQDC2S-850	15.2 m (50 ft)	Right-Angle		
MQDC2S-806RA	1.83 m (6 ft)			
MQDC2S-815RA	4.57 m (15 ft)			
MQDC2S-830RA	9.14 m (30 ft)			
MQDC2S-850RA	15.2 m (50 ft)			

8-Pin Threaded M12/Euro-Style Cordsets with Open-Shield—Washdown, Stainless Steel				
Model	Length	Style	Dimensions	Pinout (Female)
MQDC-WDSS-0806	1.83 m (6 ft)	Straight		 <p>1 = White      5 = Gray 2 = Brown      6 = Pink 3 = Green      7 = Blue 4 = Yellow      8 = Red</p>
MQDC-WDSS-0815	4.57 m (15 ft)			
MQDC-WDSS-0830	9.14 m (30 ft)			

## Brackets

### SMB22A

- Right-angle bracket with curved slot for versatile orientation
- 12-ga. stainless steel
- Mounting hole for 22 mm sensor

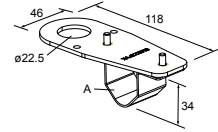


**Hole center spacing:** A to B = 26.0

**Hole size:** A =  $\varnothing$  4.6, B = 4.6 x 16.9, C = 22.2

### SMB22FVK

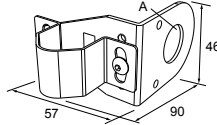
- V-clamp, flat bracket and fasteners for mounting to pipe or extensions
- Clamp accommodates 28 mm diameter tubing or 1 in. square extrusions
- 22 mm hole for mounting sensor



**Hole size:** A =  $\varnothing$  22.5

### SMB22RAVK

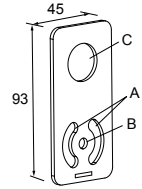
- V-clamp, right-angle bracket and fasteners for mounting to pipe or extensions
- Clamp accommodates 28 mm diameter tubing or 1 in. square extrusions
- 22 mm hole for mounting sensor



**Hole size:** A =  $\varnothing$  22.5

### SMBAMS22P

- Flat SMBAMS series bracket with 22 mm hole for mounting sensors
- Articulation slots for 90+° rotation
- 12-ga. (2.6 mm) cold-rolled steel

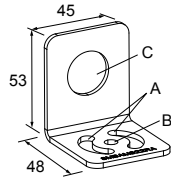


**Hole center spacing:** A = 26.0, A to B = 13.0

**Hole size:** A = 26.8 x 7.0, B =  $\varnothing$  6.5, C =  $\varnothing$  22.5

### SMBAMS22RA

- Right-angle SMBAMS series bracket with 22 mm hole for mounting sensors
- Articulation slots for 90+° rotation
- 12-ga. (2.6 mm) cold-rolled steel

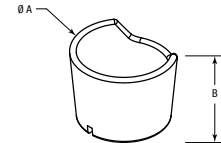


**Hole center spacing:** A = 26.0, A to B = 13.0

**Hole size:** A = 26.8 x 7.0, B =  $\varnothing$  6.5, C =  $\varnothing$  22.5

### TC-K30-CL

- Touch cover



**Diameter:** A = 40.7

**Height:** B = 31

All measurements are listed in millimeters, unless noted otherwise.

## Banner Engineering Corp. Limited Warranty

Banner Engineering Corp. warrants its products to be free from defects in material and workmanship for one year following the date of shipment. Banner Engineering Corp. will repair or replace, free of charge, any product of its manufacture which, at the time it is returned to the factory, is found to have been defective during the warranty period. This warranty does not cover damage or liability for misuse, abuse, or the improper application or installation of the Banner product.

**THIS LIMITED WARRANTY IS EXCLUSIVE AND IN LIEU OF ALL OTHER WARRANTIES WHETHER EXPRESS OR IMPLIED (INCLUDING, WITHOUT LIMITATION, ANY WARRANTY OF MERCHANTABILITY OR FITNESS FOR A PARTICULAR PURPOSE), AND WHETHER ARISING UNDER COURSE OF PERFORMANCE, COURSE OF DEALING OR TRADE USAGE.**

This Warranty is exclusive and limited to repair or, at the discretion of Banner Engineering Corp., replacement. **IN NO EVENT SHALL BANNER ENGINEERING CORP. BE LIABLE TO BUYER OR ANY OTHER PERSON OR ENTITY FOR ANY EXTRA COSTS, EXPENSES, LOSSES, LOSS OF PROFITS, OR ANY INCIDENTAL, CONSEQUENTIAL OR SPECIAL DAMAGES RESULTING FROM ANY PRODUCT DEFECT OR FROM THE USE OR INABILITY TO USE THE PRODUCT, WHETHER ARISING IN CONTRACT OR WARRANTY, STATUTE, TORT, STRICT LIABILITY, NEGLIGENCE, OR OTHERWISE.**

Banner Engineering Corp. reserves the right to change, modify or improve the design of the product without assuming any obligations or liabilities relating to any product previously manufactured by Banner Engineering Corp. Any misuse, abuse, or improper application or installation of this product or use of the product for personal protection applications when the product is identified as not intended for such purposes will void the product warranty. Any modifications to this product without prior express approval by Banner Engineering Corp will void the product warranties. All specifications published in this document are subject to change; Banner reserves the right to modify product specifications or update documentation at any time. Specifications and product information in English supersede that which is provided in any other language. For the most recent version of any documentation, refer to: [www.bannerengineering.com](http://www.bannerengineering.com).

For patent information, see [www.bannerengineering.com/patents](http://www.bannerengineering.com/patents).