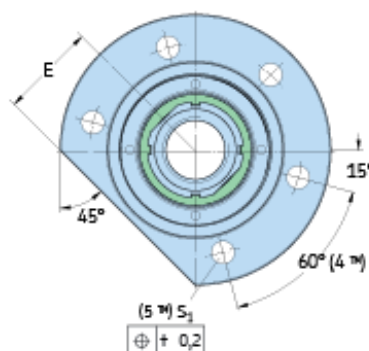
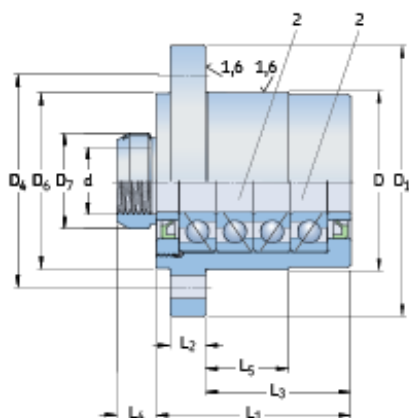
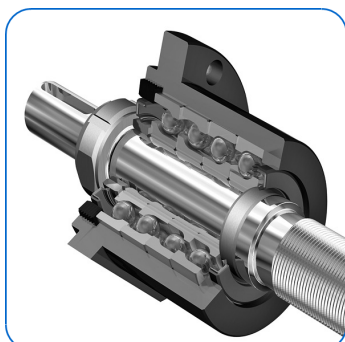


FLRBU 6

Flanged thrust bearing unit



a N9 [mm]:	12
ba [mm]:	
b+ [mm]:	
b1+ [mm]:	55
B1 js12 [mm]:	168
b2 [mm]:	4
B2 [mm]:	65
B3 [mm]:	12
B4 js12 [mm]:	233
c [mm]:	1
Ca [kN]:	208.8

Date: 06/03/2019 Issued by: SKF USA Inc, Kulpsville PA, 19443-0332 USA, USA Phone: +1 267 4366000

© SKF is a registered trademark of the SKF Group.
© SKF 2010

The contents of this report are the copyright of the publisher and may not be reproduced (even extracts) unless permission is granted. Every care has been taken to ensure the accuracy of the information contained in this report but no liability can be accepted for any loss or damage whether direct, indirect or consequential arising out of the use of the information contained herein.

Product data sheet

FLRBU 6

Flanged thrust bearing unit

C0 a [kN]:	392.3
D1 [mm]:	171
D2 [mm]:	
D3 h7 [mm]:	
d4 h6 [mm]:	
D4 [mm]:	152
d5 h7 [mm]:	40
D5 [mm]:	
d7 h11 [mm]:	
d9 [mm]:	
E [mm]:	67
G 6g [mm]:	
G1 [mm]:	
L1 [mm]:	140
L2 [mm]:	25
L3 [mm]:	98.5
L4 [mm]:	25
Ra [mm]:	0.8
Rb [mm]:	0.8
S1 H13 [mm]:	13
Fixing screw:	M12 X 40
KMT:	KMT 10
HN:	HN 10
KMT torque [Nm]:	110
Grubscrew:	M8
Torque max [Nm]:	2.5
Number of bearings:	2+2
Bearing designation:	7310
BEGBP torque [Nm]:	
Axial rigidity [N/μm]:	1100
Tilt rigidity [Nm/mrad]:	
Ra = Rb [mm]:	

Date: 06/03/2019 **Issued by:** SKF USA Inc, Kulpsville PA, 19443-0332 USA, USA **Phone:** +1 267 4366000

© SKF is a registered trademark of the SKF Group.
© SKF 2010

The contents of this report are the copyright of the publisher and may not be reproduced (even extracts) unless permission is granted. Every care has been taken to ensure the accuracy of the information contained in this report but no liability can be accepted for any loss or damage whether direct, indirect or consequential arising out of the use of the information contained herein.