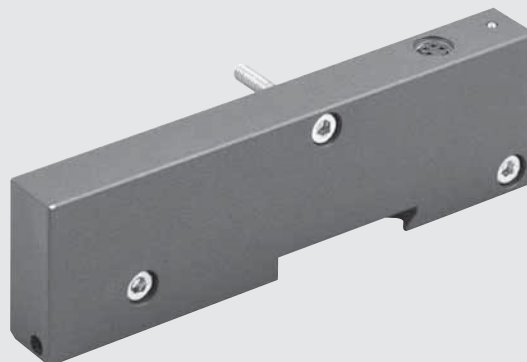


EB 80 CLOSED END-PLATE - C

The "Closed end plate - C" is the last element of each EB 80 system.
A version for islands with multi-pole connector is available.
One for islands with fieldbus, containing a small electronic board; one for connection to other additional EB 80 islands (only for systems with fieldbus).
The end plate houses the system for mechanically fixing the island to external supports.

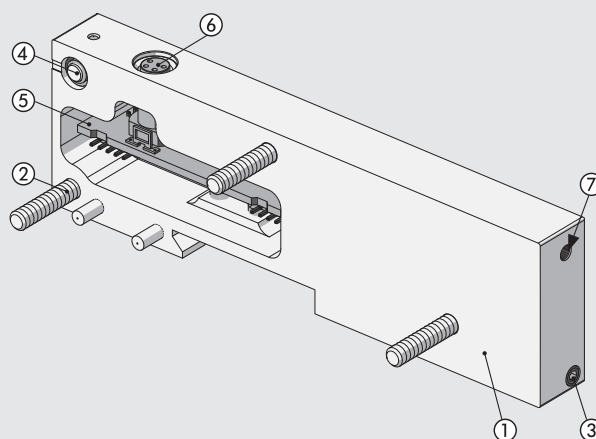


TECHNICAL DATA

Ambient temperature	°C	-10 to + 50
	°F	14 to 122
Versions	For islands with multi-pole connection. For island with fieldbus. For connection to additional islands.	
Degree of protection	IP65 (with connectors connected or plugged if not used)	
Notes	All valve units (including multi-pole versions) require earthing protection. Use M4 thread on the end plate with braided cable code 02282R6000 provided or, when fixing the unit onto a DIN bar, connect the bar to earthing.	

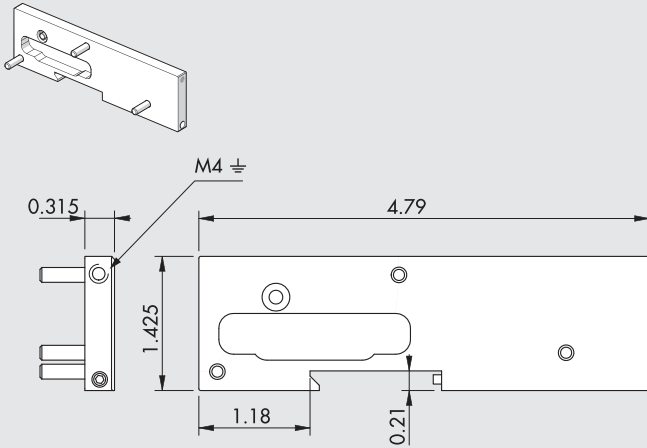
COMPONENTS

- ① BODY: painted metal
- ② FIXING SCREW: TCE M4x20 galvanised steel
- ③ GRUB SCREW securing the DIN bar or bracket: galvanized steel
- ④ RELIEF VALVE: safety in case of internal pressure increase due to temperature or losses
- ⑤ ELECTRONIC BOARD: none in the Closed end plate for islands with multi-pole connector
- ⑥ M8 CONNECTOR: only in the Closed end plate for connection with additional islands
- ⑦ GROUNDING \perp



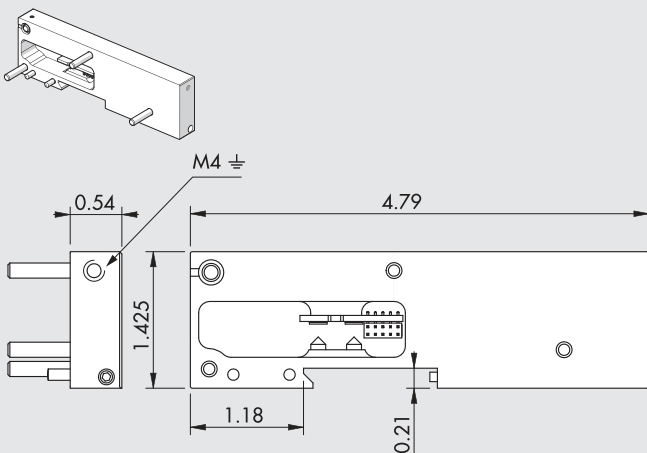
DIMENSIONS - ORDERING CODES

CLOSED END PLATE FOR ISLANDS WITH MULTI-POLE CONNECTOR



Symbol	Code	Description	Weight [lb]
C	02282C1	Closed end-plate for islands with multi-pole connector	0.2

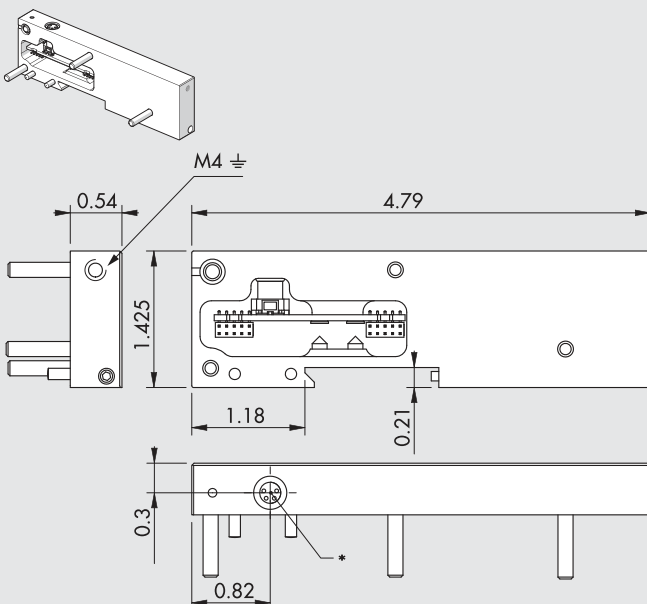
CLOSED END-PLATE FOR ISLANDS WITH FIELDBUS



Symbol	Code	Description	Weight [lb]
C	02282C2	Closed end-plate for islands with fieldbus	0.32

Note: also usable for islands with multi-pole connector

CLOSED END PLATE FOR ELECTRICAL CONNECTION TO ADDITIONAL ISLANDS



Symbol	Code	Description	Weight [lb]
C	02282C3	Closed end-plate for electrical connection to additional islands	0.32

Note: if you do not connect additional island you must mount the M8 end connector

* M8 connector for connection to additional islands.

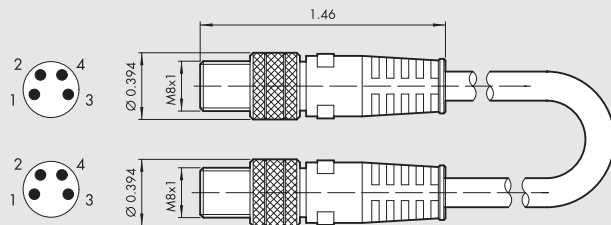
N.B.: The system does not work until the connector is connected to the "Additional electrical connection - E" module.

KEY TO CODES

02282	C	1
FAMILY	SUBSYSTEM	TYPE
02282 EB 80	C Closed end-plate	1 For islands with multi-pole connection 2 For islands with fieldbus 3 For connection to additional islands

ACCESSORIES

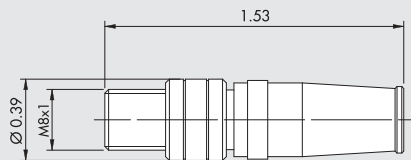
M8 CONNECTOR WITH CABLE FOR CONNECTION BETWEEN EB 80 ISLANDS



Code	Description	Weight [lb]
0240010201	M8-M8 4-pin male shielded cable L = 40 inch	0.09
0240010205	M8-M8 4-pin male shielded cable L = 197 inch	0.4
0240010210	M8-M8 4-pin male shielded cable L = 394 inch	0.73
0240010215	M8-M8 4-pin male shielded cable L = 590 inch	1
0240010220	M8-M8 4-pin male shielded cable L = 788 inch	1.36

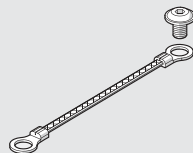
N.B.: For correct operation of the entire EB 80 system, use M8-M8 pre-wired, twisted and shielded cables only.

M8 END CONNECTOR FOR EB 80 VALVES



Code	Description
02282R5000	M8 end connector for EB 80 valves

GROUNDING CABLE



Code	Description
02282R6000	Grounding earth cable

NOTES
