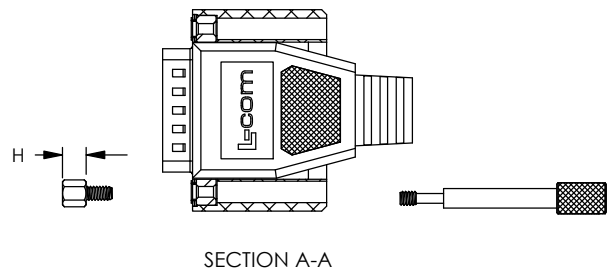
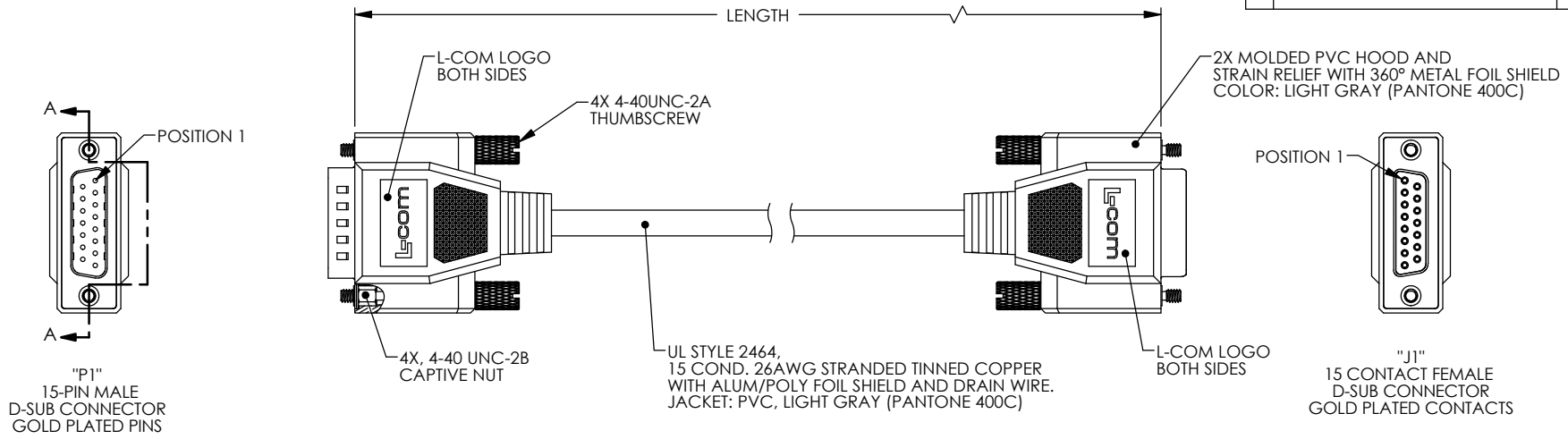


THE INFORMATION CONTAINED IN THIS DRAWING IS THE SOLE PROPERTY OF L-COM, INC. ANY REPRODUCTIONS IN PART OR WHOLE WITHOUT THE WRITTEN PERMISSION OF L-COM, INC. IS PROHIBITED.

REVISIONS			
REV	DESCRIPTION	DATE	CHANGED BY
D	ECN 6602-ADDED NOTES, REVISED FORMAT, LOGOS, COLOR	1/14/13	D.FRISIELLO
E	ECN 7241-ADDED 1 & 25 FT LENGTHS, REVISED FOHS AND FORMAT	1/21/14	D.FRISIELLO



SUPPLIED WITH THUMBSCREWS IN PLACE
 NOTE: SUPPLIED WITH OPTIONAL USE HARDWARE AND INSTRUCTIONS
 CABLE INTERCONNECTION HARDWARE: (4) SCREWLOCKS, H= .191"
 PANEL MOUNT HARDWARE: (4) SCREWLOCKS, H= .160"

WIRING MAP		
"P1"	WIRE COLOR	"J1"
1	BLACK	1
2	BROWN	2
3	RED	3
4	ORANGE	4
5	YELLOW	5
6	GREEN	6
7	BLUE	7
8	PURPLE	8
9	GRAY	9
10	WHITE	10
11	PINK	11
12	LIGHT GREEN	12
13	BLACK / WHITE	13
14	BROWN / WHITE	14
15	RED / WHITE	15
SHELL	DRAIN WIRE	SHELL

PART NUMBER	LENGTH	
	FEET	METERS
CRMN15MF-1	1.0	.31
CRMN15MF-2.5	2.5	.76
CRMN15MF-5	5.0	1.52
CRMN15MF-10	10.0	3.05
CRMN15MF-15	15.0	4.57
CRMN15MF-25	25.0	7.62

NOTES:
 CABLE ASSEMBLY SHALL BE TESTED FOR CONTINUITY.
 CABLE ASSEMBLY SHALL BE INDIVIDUALLY PACKAGED IN ACCORDANCE WITH L-COM SPECIFICATION PS-0031.

REGULATORY COMPLIANCE:
 CE2011/65/EU (RoHS DIRECTIVE)

UNLESS OTHERWISE SPECIFIED, DIMENSIONS ARE IN INCHES (mm)
 OVERALL CABLE LENGTH TOLERANCE:
 ≤12 (305) ±.01 (25) / -0
 >12 (305) ≤60 (1524) = +.010 (-0)
 >60 (1524) ≤120 (3048) = +.012 (-0)
 >120 (3048) ≤300 (7620) = +.015 (-0)
 >300 (7620) = +.01 / -.01
 ALL OTHER DIMENSIONAL TOLERANCES:
 X = ±.2 (5.08)
 XX = ±.02 (51)
 XXX = ±.005 (127)

APPROVALS DATE
 DRAWN BY 1 CLARK 3/10/2004
 CHECKED BY D PARHAM 3/30/2004
 APPROVED BY C MCCORMICK 3/31/2004

L-com Global Connectivity 45 BEECHWOOD DRIVE NORTH ANDOVER, MA 01845

CATEGORY D-SUBMINIATURE			
PRODUCT DESCRIPTION CABLE, DB15M/F REVERSIBLE HDWR			
SIZE B	FSCM NO. 43321	EWGS. NO. CRMN15MF	REV. E
SCALE: 1:1		CAD FILE: CRMN15MF.SLDDRW	

