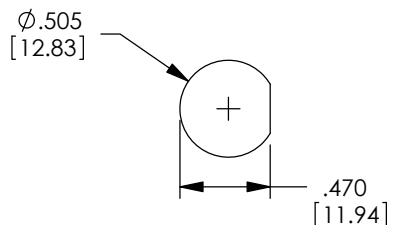
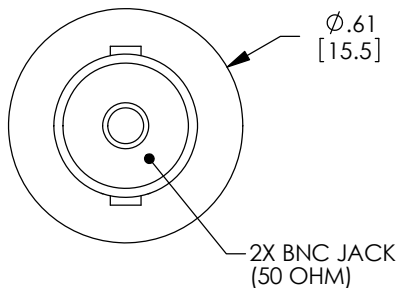


THE INFORMATION CONTAINED IN THIS DRAWING IS THE SOLE PROPERTY OF L-COM, INC. ANY REPRODUCTION IN PART OR WHOLE WITHOUT THE WRITTEN PERMISSION OF L-COM, INC. IS PROHIBITED.

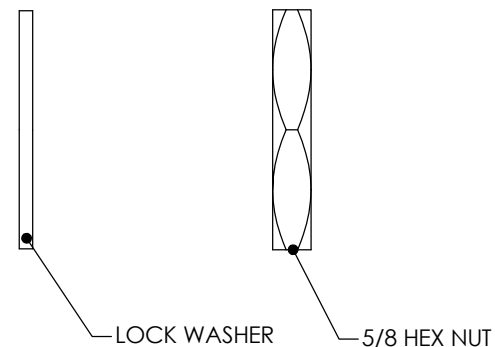
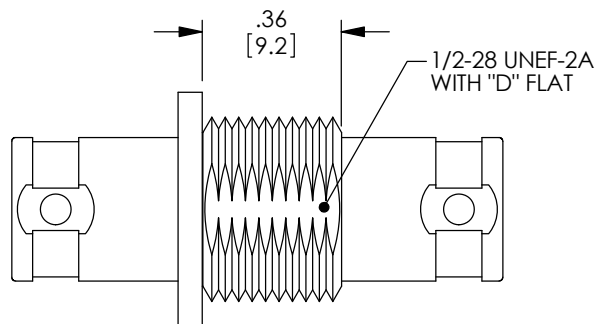
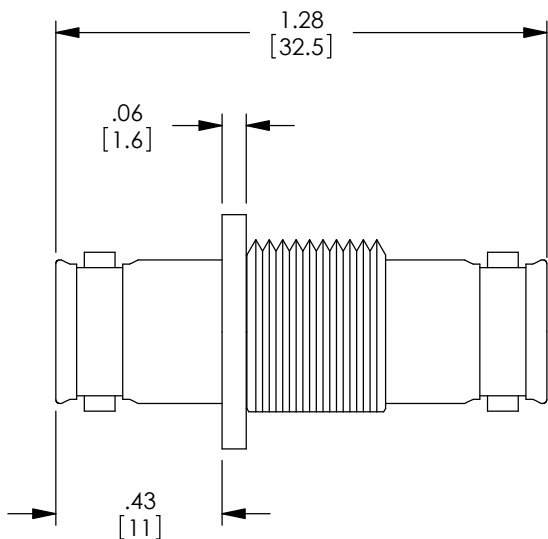
REVISIONS			
REV	DESCRIPTION	DATE	APPROVED
E	ECN 7469: CHANGE WASHER MATERIAL FROM BRASS TO STEEL	6/4/14	D.FRISIELLO

DESCRIPTION	MATERIAL	FINISH
BODY	BRASS	NICKEL PLATE
INSULATOR	ACETAL	WHITE
CENTER PIN	BRASS	GOLD PLATE
WASHER	STEEL	NICKEL PLATE
NUT	BRASS	NICKEL PLATE

△E



RECOMMENDED
PANEL OPENING


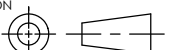


NOTES:

ALL DIMENSIONS ARE FOR REFERENCE ONLY.

COMPONENT SHALL BE INDIVIDUALLY PACKAGED IN ACCORDANCE WITH L-COM SPECIFICATION PS-0031.

REGULATORY COMPLIANCE:
CE2011/65/EU(RoHS DIRECTIVE)

UNLESS OTHERWISE SPECIFIED, DIMENSIONS ARE IN INCHES [mm] OVERALL CABLE LENGTH TOLERANCE: ≤12 [305] = +1 [25] / -0 >12 [305] ≤60 [1524] = +2 [51] / -0 >60 [1524] ≤120 [3048] = +4 [102] / -0 >120 [3048] ≤300 [7620] = +6 [152] / -0 >300 [7620] = +5% / -0% ALL OTHER DIMENSIONAL TOLERANCES: .X = ±.2 [5.08] .XX = ±.02 [51] .XXX = ±.005 [1.27]	APPROVALS	DATE		45 BEECHWOOD DRIVE NORTH ANDOVER, MA 01845
	DRAWN BY MCCORMICK	05/01/01		
PROJECTION 	CHECKED BY D.PARHAM	05/10/01	CATEGORY COAXIAL	
	APPROVED BY R.CARRICK	05/10/01	PRODUCT DESCRIPTION BNC F-F BULKHEAD ADAPTER 50 OHM	
COLOR VARIATIONS MAY OCCUR	SIZE A	FSCM NO. 43321	DWG. NO. BA1087	REV. E
1A805-108	SCALE: NONE	CAD FILE: BA1087.SLDDRW	SHEET 1 OF 1	