

# 50V CERAMIC DISC

## 89000 SERIES

The 89000 series is a range of insulated disc, monolithic fixed ceramic capacitors. They are most commonly used in consumer electronics and telecommunication equipment.

### RATINGS

**Capacitance Range:** 1.0pf to 0.10 $\mu$ f (100,000pf)

**Voltage:** 50 Volts DC

**Withstand Voltage:** 150 Volts DC

### PERFORMANCE SPECIFICATIONS

**Operating Temperature Range:**

-25°C to +85°C (-13°F to +185°F)

**Tolerance Range:**

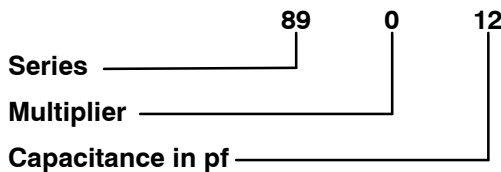
8901D0-89010	$\pm 0.5$ pf
89012-89282	$\pm 10\%$
89310	$\pm 20\%$
89312	$\pm 10\%$
89315	$\pm 20\%$
89322-89410	+80%, -20%

**Temperature Coefficient:**

8901D0-89110	- NPO (Stable)
89112-89310	- YSP ( $\pm 10\%$ )
89312-89315	- Y5R ( $\pm 15\%$ )
89322-89410	- Y5V (+30% - 80%)

**Insulation Resistance:** 10,000M $\Omega$  Min,  
but, 5,000M $\Omega$  Min for capacitance over  
0.020 $\mu$ f

### ORDERING INFORMATION

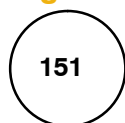


Example: 8901D5 = 1.5pf  
89012 = 12pf  
89112 = 120pf

### MARKING EXAMPLE

Example: 150pf = 151  
1500pf = 152  
0.015 $\mu$ f = 153

Figure 1



### 89000 Series Dimensions (Figure 2)

Cap pf	NTE Pt. No.	D $\varnothing$ mm	T mm	S mm	Cap pf	NTE Pt. No.	D $\varnothing$ mm	T mm	S mm
1.0pf	8901D0	4	4	2.5	680pf	89168	4	4	2.5
1.5pf	8901D5	4	4	2.5	820pf	89182	5	4	2.5
2.0pf	8902D0	4	4	2.5	1000pf	89210	5	4	2.5
3.0pf	8903D0	4	4	2.5	1200pf	89212	5	4	2.5
5.0pf	8905D0	4	4	2.5	1500pf	89215	5	4	2.5
6.0pf	8906D0	4	4	2.5	2200pf	89222	5	4	5.1
7.0pf	8907D0	4	4	2.5	3300pf	89233	8	4	5.1
8.0pf	8908D0	4	4	2.5	4700pf	89247	8	4	5.1
10pf	89010	4	4	2.5	5600pf	89256	9.5	4	5.1
12pf	89012	4	4	2.5	6800pf	89268	9.5	4	5.1
15pf	89015	4	4	2.5	8200pf	89282	10.5	3	5.1
18pf	89018	5	4	2.5	0.01 $\mu$ f	89310	12.5	3	5.1
22pf	89022	5	4	2.5	0.012 $\mu$ f	89312	6.3	4	5.1
33pf	89033	5	4	2.5	0.015 $\mu$ f	89315	6.3	4	5.1
39pf	89039	6.3	4	5.1	0.022 $\mu$ f	89322	8	4	5.1
47pf	89047	6.3	4	5.1	0.033 $\mu$ f	89333	5	4	5.08
56pf	89056	6.3	4	5.1	0.047 $\mu$ f	89347	12.5	4	5.1
68pf	89068	8	4	5.1	0.050 $\mu$ f	89350	5	4	5.08
82pf	89082	8	4	5.1	0.068 $\mu$ f	89368	12.25	3.25	7.5
100pf	89110	8	4	5.1	0.10 $\mu$ f	89410	7.3	3.25	5.0
120pf	89112	4	4	2.5					
220pf	89122	4	4	2.5					
330pf	89133	4	4	2.5					
470pf	89147	4	4	2.5					

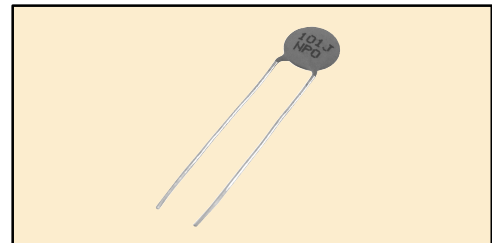
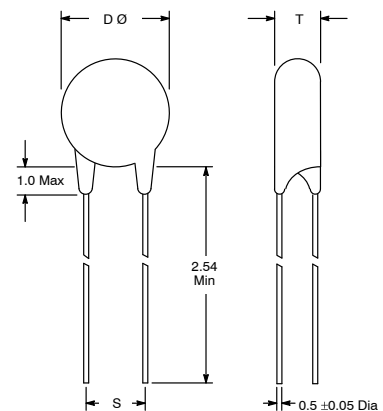


Figure 2



All dimensions are in mm