

THE INFORMATION CONTAINED IN THIS DRAWING IS THE SOLE PROPERTY OF L-COM, INC. ANY REPRODUCTION IN PART OR WHOLE WITHOUT THE WRITTEN PERMISSION OF L-COM, INC. IS PROHIBITED.

REVISIONS			
REV	DESCRIPTION	DATE	APPROVED
A	REV A DRAWING RELEASED	09/25/2018	DFRISIELLO

**SPECIFICATIONS:**

**1. ELECTRICAL:**

UL APPLICATIONS: 250 VOLTS AC MAX., AT 2 AMPS  
 DIELECTRIC WITHSTANDING VOLTAGE: 1000 VOLTS AC WITH STAND VOLTAGE TIME: 60S  
 INSULATION RESISTANCE: 100 MΩ  
 TERMINATION RESISTANCE: 20MΩ MAX AFTER ENVIRONMENTAL TESTING.

**2. MECHANICAL:**

CABLE-TO-PLUG TENSILE STRENGTH: 20 POUND MIN.  
 DURABILITY: 200 MATING CYCLES

**3. MATERIAL & FINISH:**

HOUSING: POLYCARBONATE, UL94V-0 OR UL94V-2  
 COLOR: TRANSPARENT  
 CONTACT BLADE: COPPER ALLOY  
 CONDUCTOR: STRANDED OR SOLID WIRE, 24AWG, 26AWG (O.D. WIRE FROM .037 [.96] TO .040 [1.02])  
 GOLD PLATING: 50μ"

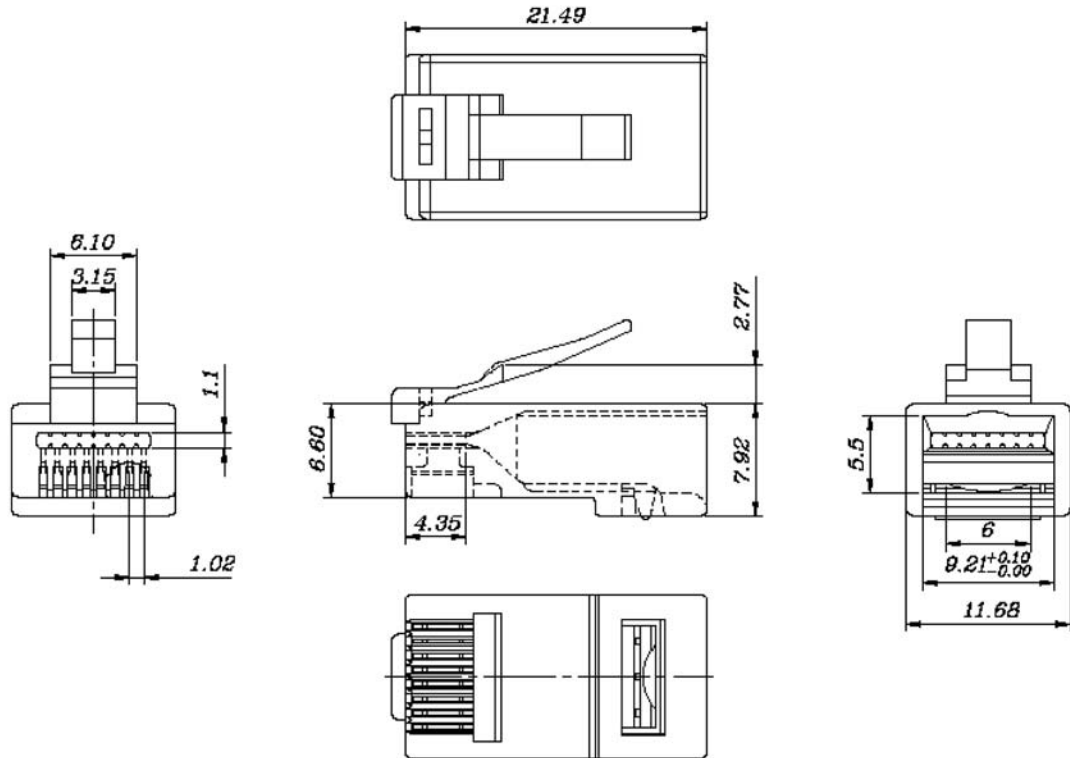
**NOTES:**

ALL DIMENSIONS ARE FOR REFERENCE ONLY.

PLUG SHALL BE PACKAGED IN BULK, 100 PIECES PER BAG IN ACCORDANCE WITH L-COM SPECIFICATION PS-0031.

**REGULATORY COMPLIANCE:**

CE2011/65/EU(RoHS DIRECTIVE)



UNLESS OTHERWISE SPECIFIED, DIMENSIONS ARE IN INCHES [mm] OVERALL CABLE LENGTH TOLERANCE: ≤12 [305] = +1 [25] / -0 >12 [305] ≤60 [1524] = +2 [51] / -0 >60 [1524] ≤120 [3048] = +4 [102] / -0 >120 [3048] ≤300 [7620] = +6 [152] / -0 >300 [7620] = +5% / -0% ALL OTHER DIMENSIONAL TOLERANCES: .X = ±.2 [5.08] .XX = ±.02 [5.1] .XXX = ±.005 [1.3]	APPROVALS DFRISIELLO CHECKED BY DGUTTADAURO APPROVED BY DGUTTADAURO	DATE 09/21/2018 09/25/2018 09/25/2018	50 HIGH STREET NORTH ANDOVER, MA 01845
	CONFIGURATION DETAILS OF UNDIMENSIONED FEATURES MAY VARY		
PROJECTION 	COLOR VARIATIONS MAY OCCUR	SIZE <b>A</b>	FSCM NO. <b>43321</b>
DWG. NO. TDPTC6		SCALE: NONE	CAD FILE: TDPTC6.SLDDRW
SHEET 1 OF 1		PRODUCT DESCRIPTION Pull Through RJ45 Plug Cat6 Unshielded	